



SMARTSCAN | AEI

SmartScan Model 2600-020 AEI System Reference Guide



EUD-2014218-00
Rev. 7
August 09, 2023

© 2023 Southern Technologies Corporation (STC). All rights reserved.
Printed in the USA.

Because products evolve and system configurations change, this manual may not be an exact representation of the products and systems you are using.

STC assumes no responsibility for errors or omissions in this document, nor does STC make any commitment to update the information contained herein.

Product and company names mentioned herein are trademarks or registered trademarks of their respective owners.

WARNING!

Contact with electrically active parts could result in sparks, burns, and electric shock. Because of this, you should avoid all electrical hazards when installing, wiring, operating, and maintaining the SmartScan system. Failure to do so could result in damage to the equipment or serious injury to you.

NOTICE:

The user is required to obtain a Part 90 site license from the FCC to operate in the United States. See product label for FCC ID number. Access the FCC Web site <https://www.fcc.gov/licensing-databases/forms> for additional information concerning licensing requirements.

Users in all countries should check with the appropriate local authorities for licensing requirements.



6145 Preservation Drive, Chattanooga, TN 37416

web: www.southern-tech.com

email: stcemail@southern-tech.com

fax number: 423-499-0045

telephone number: 423-892-3029

Contents

Contents	3
1.0 Introduction	7
1.1 Purpose of This Guide	7
1.2 Key Points and Considerations	7
1.3 Disclaimers	8
1.4 How to Comment on This Guide	8
1.5 How to Order More Copies of This Guide	8
1.6 Standard Warranty.....	8
2.0 System Overview	9
2.1 Technical Specifications	11
2.2 SmartScan Model 2600-020 AEI Controller	11
2.2.1 Front Panel.....	14
2.2.2 Bottom Panel.....	15
2.2.3 Side Panels	17
2.2.4 Processors	19
2.2.5 Interface/Power Supply Board	20
2.3 Reader Subsystem	22
2.3.1 MPRR (Multiprotocol Rail reader)	23
2.3.2 MPRX (Multiprotocol Reader Extreme).....	24
2.4 Power Subsystem.....	26
2.5 Presence Subsystem.....	29
2.6 Surge Panel	29
2.7 Shielded Temperature Probe	29
2.8 Ethernet Switch.....	30
2.9 Bungalow Panel Assembly (optional).....	31
2.10 Multiplexed Route Direction Indicator (optional).....	32
3.0 Track Components.....	35
3.1 Track Components	35
3.2 Wheel Detectors	40
3.2.1 Wheel Detector Mounting Considerations	40
3.2.2 Tiefenbach Wheel Detector Installation	42
3.2.3 Tiefenbach Wheel Detector Calibration	51
3.2.4 Frauscher Wheel Detector Installation.....	55
3.2.5 Frauscher Wheel Detector Troubleshooting Guide.....	62
3.2.6 Frauscher Wheel Detector - Preventive Maintenance	64
3.3 AEI Antennas.....	64
3.3.1 Sinclair SRL440 Antennas	64
3.3.2 Sinclair SRL470 Antennas	65
3.3.3 KPPA-900-120-11.5 Antennas.....	66
3.3.4 Locating AEI Antenna Masts.....	66
3.4 Presence Detectors	69
3.4.1 Zukinut ZEPIC III and Z3 Plus	69
3.4.2 Reno Loop Detector	73
4.0 Installation of the 2600-020 AEI Controller in an Existing Bungalow	87
4.1 Installation of the 2600-020 AEI Controller	87
4.2 Installation of the 2600-93x Bungalow Panel Assembly.....	91
5.0 Installing a System Bungalow	93
5.1 Selecting a Site.....	93
5.2 Preparing the Wayside Enclosure	93
6.0 Placing the 2600-020 AEI Controller into Service	97
7.0 User Interface	101
7.1 User Interface	101

7.2	AEI Status Panel.....	101
7.3	Tiered Access to System Resources.....	102
7.4	Accessing the User Interface Menus.....	102
7.5	Menus Overview.....	104
7.5.1	Main Menu.....	104
7.5.2	Report Menu.....	104
7.5.3	Setup Menu.....	106
7.5.4	Session Configuration Menu.....	106
7.5.5	System Functions Menu.....	107
7.6	Setup Menu Details.....	108
7.6.1	Setup Menu.....	108
7.6.2	Track Hardware Configuration Menu Details.....	112
7.7	Session Configuration Menu Details.....	114
7.7.1	Consist Session Setup Menu.....	114
7.7.2	Session x Configuration Menu.....	115
7.7.3	Maintenance Session x Configuration Menu.....	125
7.8	System Functions Menu Details.....	128
7.8.1	Network Interfaces Configuration Menu.....	129
7.8.2	Configure Time Synch With NTP Server.....	131
7.8.3	Delete All Train Data.....	133
7.8.4	System Reset Menu.....	133
7.8.5	Telnet Pass-Thru.....	134
7.8.6	Serial Pass-Thru.....	135
7.8.7	Reader Module Direct Comm. Link.....	135
7.8.8	Passwords Menu.....	136
7.8.9	Software Update.....	137
7.8.10	Override FEP CRC Check.....	138
7.8.11	Change Telnet Port Number.....	138
7.8.12	Change Secure Shell (SSH) Port Number.....	139
7.8.13	Ping.....	140
7.8.14	Request Status Update From FEP.....	140
7.8.15	Track Hardware Signal Status.....	141
7.9	SNMP Menu.....	142
7.9.1	Traps Disabled.....	142
7.9.2	Get SNMP Engine ID.....	143
7.9.3	Trap Destination.....	143
7.9.4	Trap Site ID.....	143
7.9.5	Generate Test Trap.....	143
7.9.6	Change Alarm Settings.....	144
7.9.7	Restore Default Alarm Settings.....	145
7.9.8	Reset default SNMP user and password.....	145
7.9.9	SNMP v2.....	145
7.9.10	Manually Clear An SNMP Alarm.....	146
7.9.11	Clear The SNMP Database.....	146
7.9.12	SNMP Hidden menu options.....	147
7.10	Report Examples.....	148
7.10.1	Train Summary Report.....	149
7.10.2	Train Detail Report.....	150
7.10.3	T94 Report.....	153
7.10.4	System Status Report.....	154
7.10.5	Maintenance Object Database Status.....	156
7.10.6	Event Log Report.....	157
7.10.7	Log Reports.....	158
7.10.8	Diagnostic Train Summary Report.....	162
7.10.9	Diagnostic Train Detail Report.....	165
7.10.10	Raw Train Data Report.....	173
8.0	Customer Service.....	177
8.1	Reaching STC.....	177
8.2	Returning Equipment for Repair.....	177

8.3 Reporting Problems or Suggestions	178
8.4 Ordering Spare Parts	178
8.5 Checking on Shipments and Orders.....	178
8.6 Glossary of Terms	179
Appendix A: Drawings and Schematics	191
2600-020 AEI Controller- Exploded View	193
2600-020 AEI Controller- Internal Wiring Schematic.....	194
Battery Subsystem (Typical) Battery Subsystem for CN (Typical)	195
Battery Subsystem for a CN Double-Track AEI (Typical).....	196
Typical Single-Track Equipment Layout	197
Typical Double-Track Equipment Layout.....	198
Typical Triple-Track Equipment Layout	199
Double Track Elevation Drawing	200
2600 AEI System Wiring Schematic.....	201
2600 AEI System Wiring Schematic for CN	202
Typical 4' x 6' Bungalow Layout	203
Typical Triple Track 4' x 8' Bungalow Layout	204
Typical 4' x 6' Bungalow Layout for 2600-93x Panels	205
Typical Layout for Dual-Loop Application	206
Wiring for 2600-547 Frauscher Converter Kit (Single)	207
Wiring for 2600-548 Frauscher Converter Kit.....	208
Index	209

1.0 Introduction

This chapter summarizes the purpose of this guide and outlines the features of the SmartScan Model 2600-020 AEI Controller. It also tells how to comment on this guide and how to order more copies of this guide, and it covers Southern Technologies Corporation's standard warranty.

1.1 Purpose of This Guide

The technical staff at Southern Technologies Corporation (STC) created the SmartScan Model 2600-020 AEI Controller. This guide describes that system and was written for those who purchase, install, maintain, troubleshoot, manage, or use the system.

1.2 Key Points and Considerations

Automatic Equipment Identification, Automatic Vehicle Identification, and Radio Frequency Identification are synonymous when referring to tag-reading equipment. In general use, vehicles and equipment are tagged with wireless transponders for identification. A reader reads these electronic tags as they pass a stationary antenna. The reader then transfers the data read from the tags to a host computer and stores it for later processing.

A basic RFID/AEI system consists of the following:

- an antenna;
- a reader (transceiver with decoder);
- a radio-frequency (RF) tag (transponder).

RFID/AEI systems use noncontact, not-line-of-sight technology. Tags can be read through poor atmospheric conditions, such as fog, rain, and snow. Tags can also be read through other poor visual conditions, such as grime, paint, and encrusted mud.

AEI tags serve only as coded reflectors for the radio frequency signal emitted through the antenna; they are not radio transmitters and therefore do not radiate signals by themselves.

RFID/AEI tags are categorized as either active or passive. An internal battery powers active tags. Passive tags operate without a separate external power source and obtain operating power from the RF signal generated by the reader.

In operation, the readers create a radio frequency field that provides a constant carrier wave to activate a tag that is present in the field. When activated, the tag modulates that carrier wave in accordance with the preprogrammed data in the tag and reflects the modulated signal back to the reader. The reader receives the returned signal, processes the radio signal into usable characters, and sends them to a host computer.

The SmartScan product line provides versatility in reading and reporting RFID tags and can be customized for specific applications. As such, it should be noted that not all systems use all of the components described in this document.

1.3 Disclaimers

The content published in this document is believed to be accurate. STC does not, however, provide any representation or warranty regarding the accuracy or completeness of its content. The correct use of this guide, the environmental conditions at the time of installation, the method of installation itself, and the installation of customer-supplied components are beyond the control of STC. So, too, are the correct use and maintenance of all or part of the SmartScan system. Therefore, the installer, user, and maintainer must assume the risk of any injury that might occur during the installation, use, and maintenance of all or part of the SmartScan system. STC assumes no risk, liability, or responsibility for errors and omissions on the part of the installer, user, or maintainer.

1.4 How to Comment on This Guide

We want to hear from you. Send your feedback about this guide to:

Southern Technologies Corporation
Technical Publications Department
6145 Preservation Drive
Chattanooga, Tennessee 37416-3638

1.5 How to Order More Copies of This Guide

When placing an order for more copies of this guide, refer to the order number shown on the cover of this guide. To request pricing and delivery, call 423-892-3029, fax 423-499-0045, or send an e-mail to stcemail@southern-tech.com. Electronic copies of this guide are also available.

1.6 Standard Warranty

Systems manufactured by Southern Technologies Corporation carry a 14-month warranty from the date of shipment. Warranty is limited to repair or replacement, at the sole discretion of STC, of any product found to be defective in either materials or workmanship during the 14-month period following shipment. Warranty does not apply to a product with obvious signs of abuse or a product that has been improperly installed.

STC warrants that goods represented by this warranty statement have been designed and manufactured with all reasonable care and attention to appropriate regulatory documents. STC makes no representation that the goods covered by this warranty are suitable for the application for which they are used. Application of the goods is at the sole discretion of the purchaser.

The purchaser is responsible for the shipment of the defective product to STC. STC will pay the return shipping charges. Products purchased from others, but included in STC systems, carry the original manufacturer's warranty, which is typically 12 months. Warranty claims for these products must be made directly to the original equipment manufacturer.

2.0 System Overview

The Model 2600-020 AEI Controller is the core processor/center of operations for both mainline and yard AEI systems. STC offers various configuration packages ranging from legacy upgrades (for existing sites) to complete turnkey site installation kits.

For a legacy upgrade, it is assumed that peripheral equipment, such as batteries, chargers, presence detectors, and antennas are already in place.

The SmartScan 2600-020 AEI Controller provides connectivity to TransCore Reader subsystems and several other ancillary devices commonly used in AEI systems. The main terminal block's connector pinout is compatible with that of SAIC's APU 102.

The AEI Controller and its integrated subsystems gather data from each passing train to provide a complete consist listing that is formatted in the AAR standard. The controller then transmits the consist reports to a host computer via modem.

The AEI Controller was designed to connect directly to a 24-volt battery supply that is maintained by a float-charge system. In the event of AC power failure, the system continues normal operation until the battery supply is depleted.

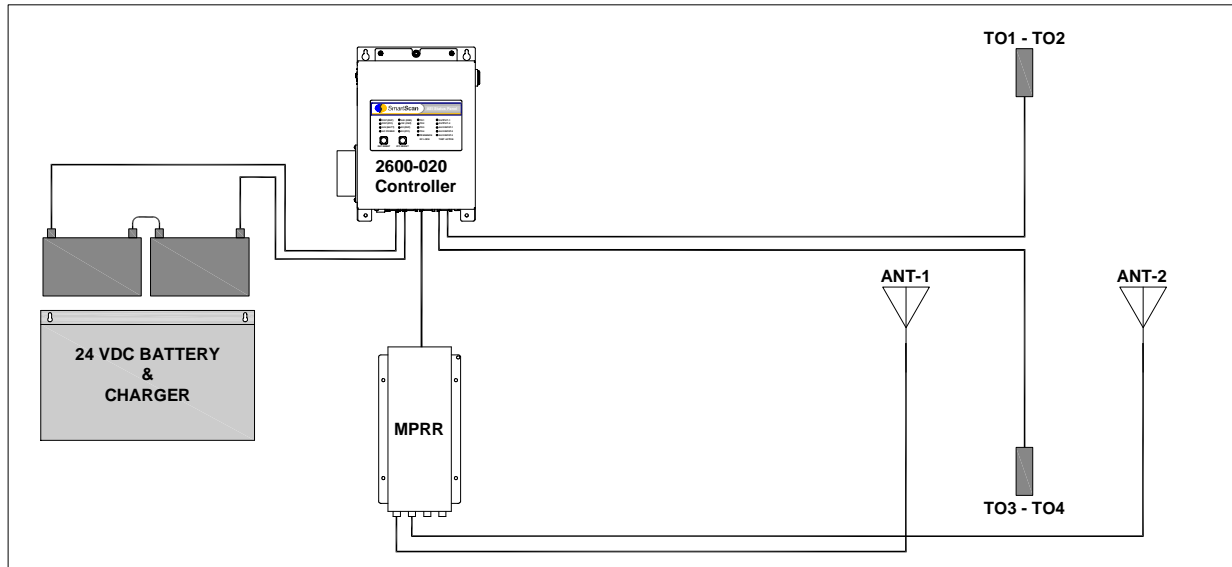
Associated subsystems used in a 2600-020 SmartScan system are:

- two AEI antennas
- Transcore MPR(x) - Multiprotocol Rail Reader or Multiprotocol Reader Extreme
- Tiefenbach wheel detectors (to detect and count axles)
- presence-detection equipment (to sense train presence), including Zukinut ZEPIC III, radar-based field detectors, or GE-Epic presence detectors
- 2600-600 Surge Panel (to protect electronic components from high-voltage transients)
- power supply and battery charger
- equipment enclosures
- either a landline modem, cellular modem, or Ethernet connection.

A brief outline of how the SmartScan system operates is below:

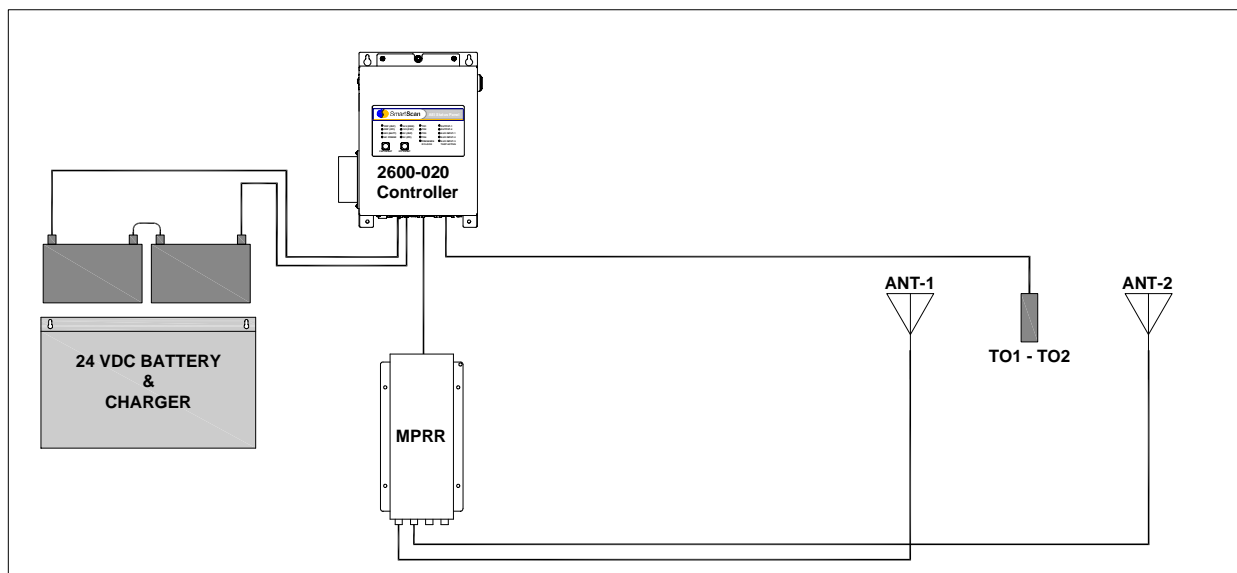
1. The presence detector signals the controller when a train is approaching the site.
2. The controller activates the external reader and initiates the train-scanning process.
3. As the train moves over the site, signals generated by the wheel detectors are sent to the Front-End Processor (FEP).
4. The FEP collects wheel-transition records and places them into groups that loosely represent the rail vehicles that generated them. These groups of wheel-transition records form the initial basis for establishing car records.
5. As an individual RFID/AEI tag passes the antenna, the reader scans the tag, appends a timestamp, and passes the data to the FEP. Tag-information records are associated with car records based on the tag-record timestamp.
6. The presence detector signals the controller when the train has cleared the site.
7. The controller deactivates the external reader and organizes the train consist based on the wheel-transition data and tag-record data.

8. The data collected is analyzed to establish the final consist/car breakout and, where appropriate, to filter out cross-track reads of RFID/AEI tags (e.g., at multi-track sites). The data is then stored in the system IPC for later recall.
9. If enabled, S918-specified, T94-formatted reports will be transmitted to a host computer via the system modem or network connection.



Typical Configuration – Mainline and Yard Management

Two Tiefenbach dual-head, zero-speed wheel detectors spaced 9' 6" apart are necessary to accurately break-out stop-and-reverse movements for car recognition and tag placement.



Typical Configuration – Sites with Straight Pull-Through Traffic

A single Tiefenbach dual-head zero-speed wheel detector can be used on those sites with straight pull-through traffic only.

2.1 Technical Specifications

Below are the technical specifications for the Model 2600-020 AEI Controller.

General Specifications	
Operating Input Voltage	20 – 30 VDC @ 5 amps
Input Voltage Protection	Circuit breaker + self-restoring fuses on each processor and reader power supply. Reverse polarity and surge-protected.
Communications	RS 232-ports – 4 RJ45- Ethernet port – 2 RJ50 – for 2600-180 MRDI Transmitter Unit
Temperature Specification- Industrial	-40 + 70C fan-less operation.
Size	15.40" x 9.35" x 4.50"
Weight	12.30 lb
Finish	White-powder coat over stainless steel
Front-End Processor/Interface	
Manufacturer	Southern Technologies Corporation
Processor	Motorola 68 HC11
Program Storage	512K Bytes- Flash
Data Storage	512K Bytes- Non-volatile
Inputs	8- Analog- Battery voltage, internal temp., outside temp., 3v, 5v, 8v, 12v power supply monitor 6- Digital- Opto isolated switch point position 1 and 2, power fail, presence, test, spare 4- Zero speed wheel detector- RF filtration and surge suppression
Outputs	2- Digital- 24V relay drivers
Operating Temperature Range	-40 to +70C
Industrial PC	
Manufacturer	VersaLogic
Architecture	Single board- PC104-Plus Expansion
Processor	AMD LX 800
Operating System	Linux
Program Storage/Data Storage	Non-volatile Compact Flash- 1GB
Communications	Serial- Ethernet- TCP/IP
Operating Temperature Range	-40 to +70C

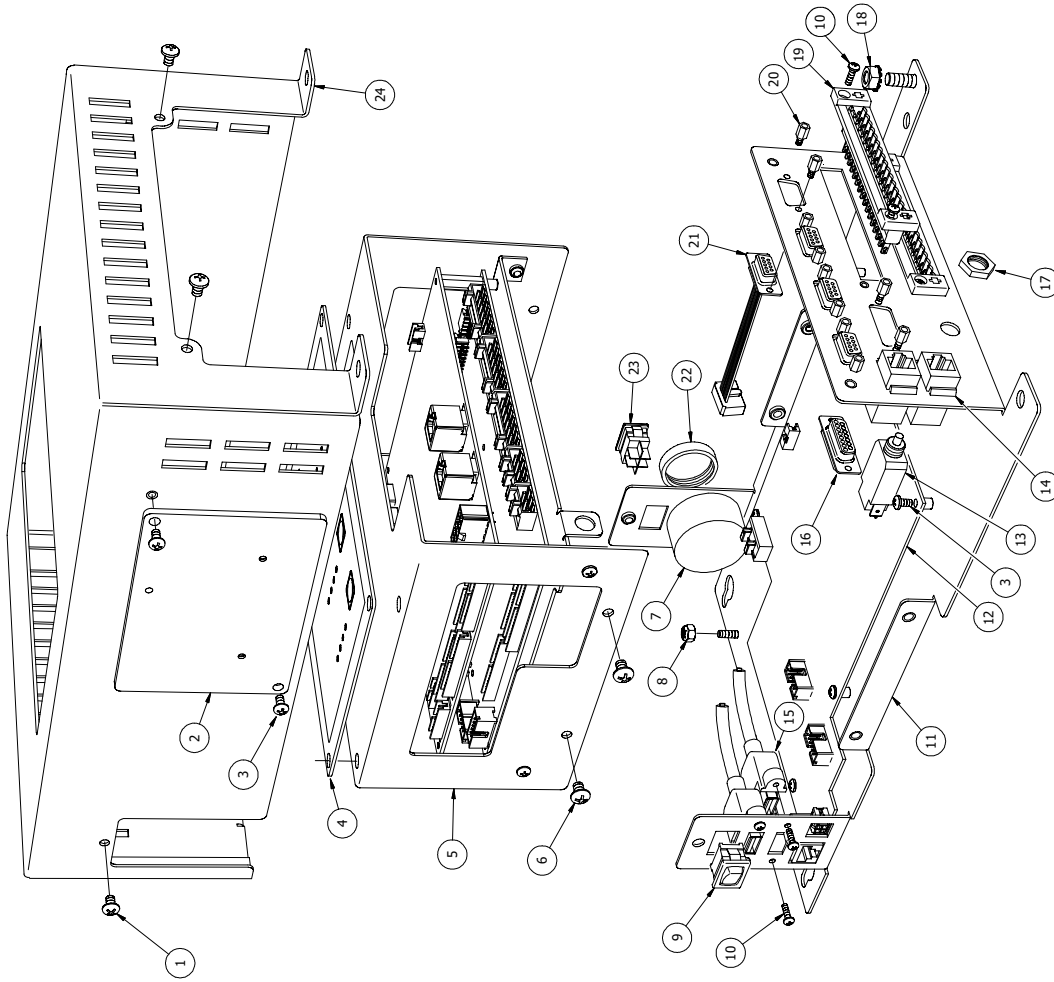
2.2 SmartScan Model 2600-020 AEI Controller

The 2600-020 AEI Controller is the “brains” of the AEI system. It monitors signals from the presence subsystem, wheel detectors, external reader, and other peripheral devices. After train passage, the controller processes collected data and then generates, stores, and transfers various system reports.

A compact, modular enclosure houses the AEI Controller. It can be wall-mounted in a bungalow or any suitable weatherproof wayside structure. The bottom and side panels provide connectivity for all necessary peripheral components. The internal electronics are configured in a board-stack arrangement. From top to bottom are the IPC (industrial PC board), FEP (front-end processor), and a Power Supply/Interface board.

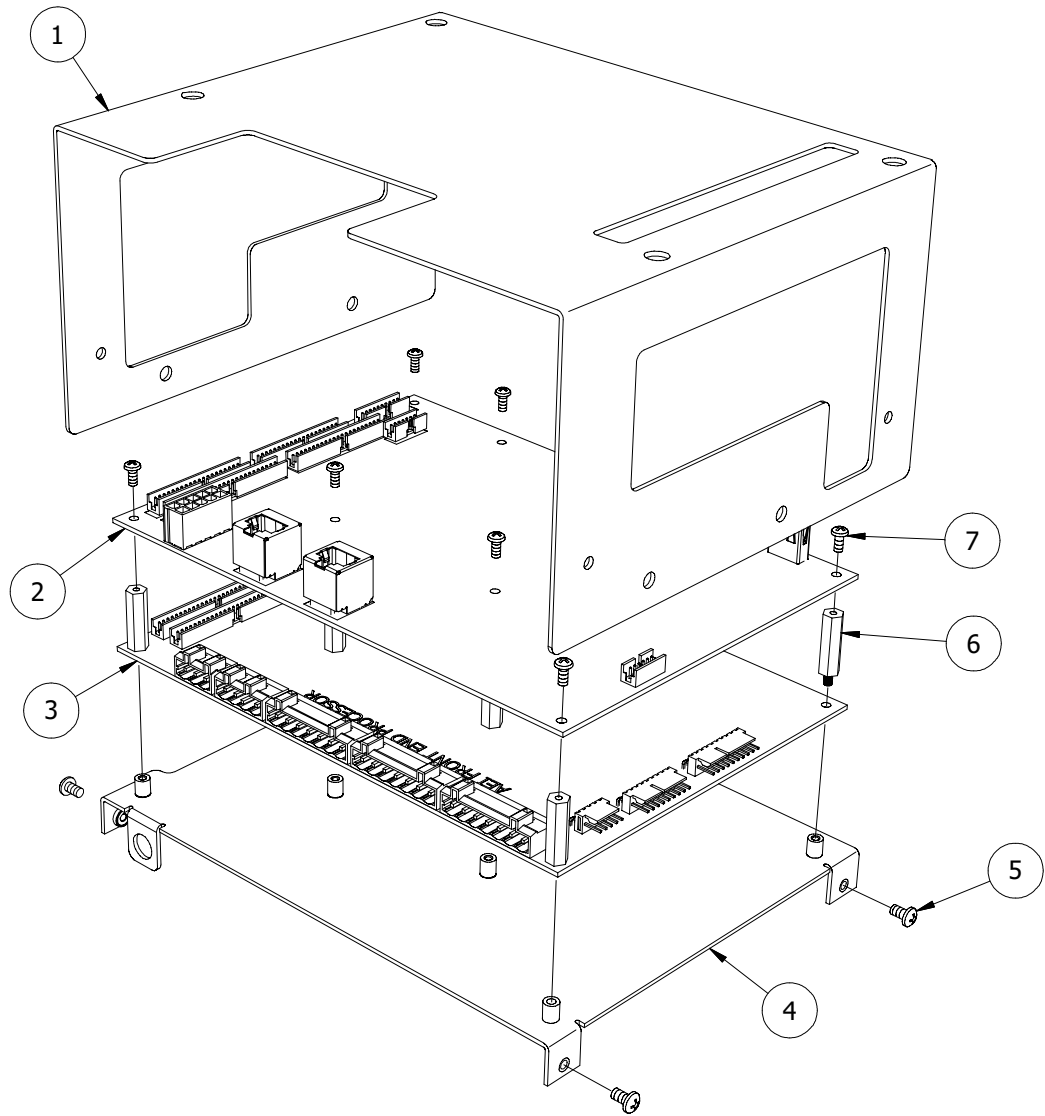
The controller can be ordered with either a standard landline modem or a cellular modem. Modems currently supported include the Sixnet Industrial and the AirLink LS300.

PARTS LIST FOR 2600-020		
ITEM	QTY	PART NUMBER DESCRIPTION
1	4	01-108-023 PPH 8-32 x 1/4" S. Steel
2	1	41-110-122 Modem Adapter Plate
3	12	01-108-016 PPH 6-32 x 1/4" S. Steel
4	1	18-111-010 Status Panel
5	1	N/A Status Panel Mount
6	4	01-108-050 PPH 10-32 x 3/8" S. Steel
7	1	10-105-008 Sonalet Buzzer 16-28VDC
8	2	01-118-003 8-32 ESNA Nut Stainless Stl.
9	1	18-101-005 DA series c&k rocker switch 16 AMP SPST
10	8	01-108-003 PPH 4-40 x 3/8" S. Steel
11	1	41-110-123 Base Plate Asm.
12	1	2600-210 Interface/Power Supply Bd.
13	1	17-108-012 Thermal Reset Breaker
14	2	14-123-005 RJ Coupler 8-Pos
15	2	14-125-001 USB 2.0 Cable-UP Angle/Panel
16	1	14-109-004 Sub-D 15-Pin Socket
17	1	N/A Retainer nut for breaker
18	1	01-119-003 1/4-20 Keps nut
19	2	14-115-043 16 Position Phoenix HDR 5.05mm
20	5	14-109-009 Sub-D Jack Screw Kit
21	4	2300-524 Comm Cable Asm 8"
22	1	N/A Retainer Ring nut for Sonalet Buzzer
23	1	18-101-006 DA series c&k rocker switch 10AMP DTDP
24	1	41-110-126 Cover Assembly



2600-020 Exploded View

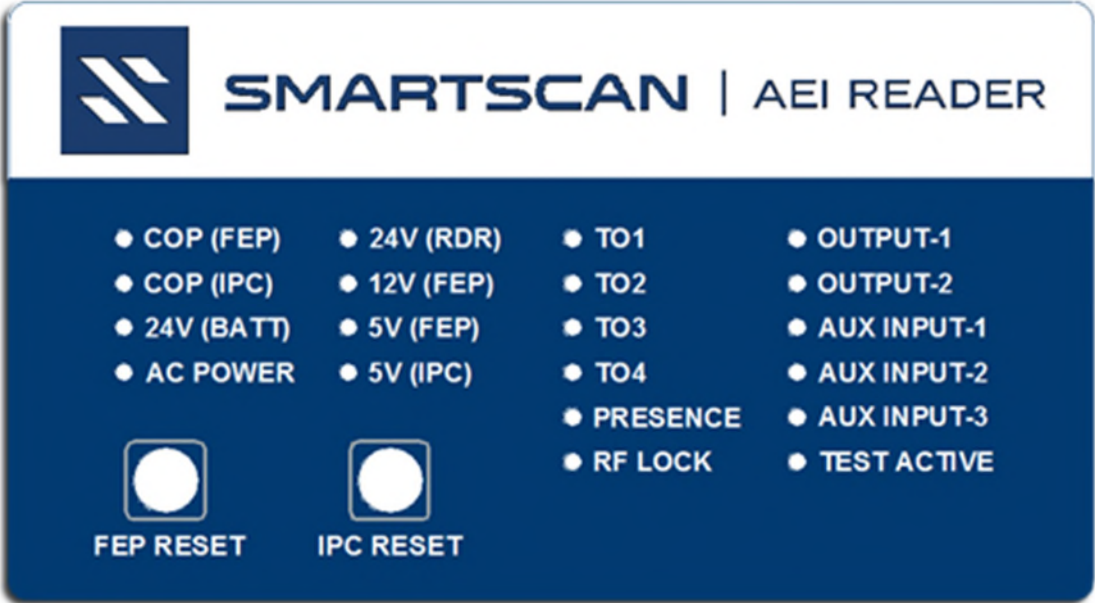
PARTS LIST FOR 2600-020 (Item #5)			
ITEM	QTY	PART NUMBER	DESCRIPTION
1	1	41-110-007	Status Panel Mount
2	1	61-320-001	Bd. (IPC)
3	1	2600-100	AEI front end processor bd. asm.
4	1	41-110-125	FEP IPC Board Mounting Base
5	4	01-108-016	PPH 6-32 X 1/4" S. Steel
6	8	12-117-015	Hex 4-40 x 7/8" Adapter MF
7	8	01-108-003	PPH 4-40 x 3/8" S. Steel



Processor/Status Panel Exploded View

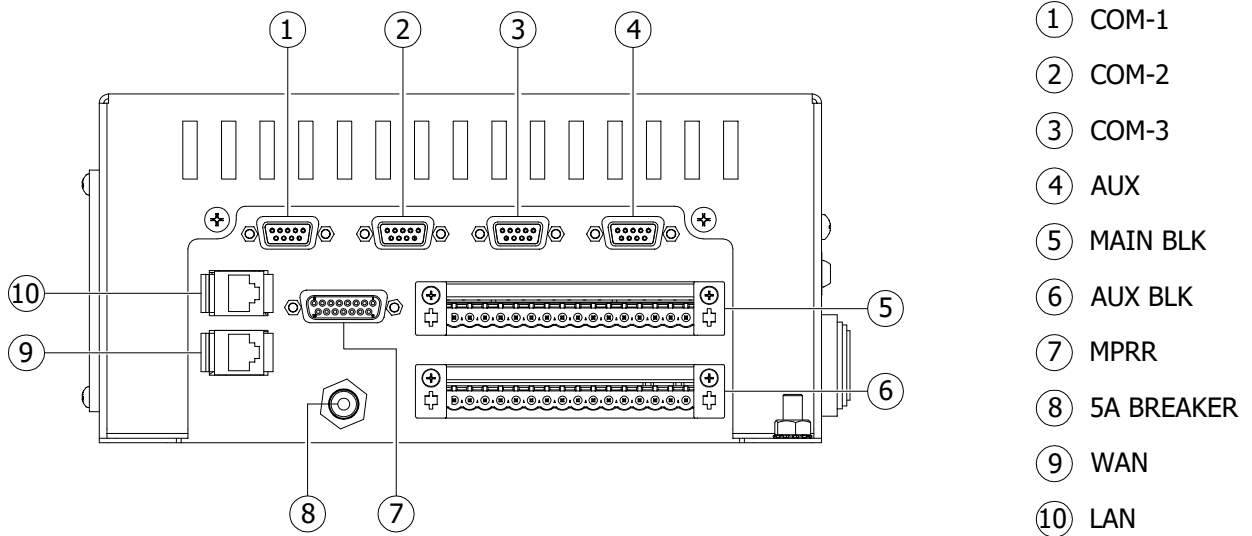
2.2.1 Front Panel

Visible on the front of the AEI Controller is a status panel designed to assist maintenance personnel with system function diagnostics. The status panel contains 20 high-visibility LEDs, grouped by function, to provide a quick determination of the system's overall status. Additionally, the front panel provides reset switches for the FEP and IPC.



2.2.2 Bottom Panel

Pictured below is the bottom panel of the AEI Controller. It provides connectivity to the track hardware and other various peripheral devices of an AEI system.



There are four RS-232 communication ports (DB9M):

The Com-1 port is used for the system modem.

The Com-2 port is used for local access with a laptop computer.

The Com-3 port is used for serial pass-through to other equipment.

The AUX port is used for diagnostics (not intended for the end-user).

The MPR(x) connector (DB15F) provides direct connectivity to the MPRR or MPRX reader via the umbilical cable.

MPR(x)

PIN	SIGNAL
1	SENSE0
2	SENSE1
3	+24V DC
4	+24V DC
5	+24V RTN
6	+24V RTN
7	LOCK
8	TRANSMIT DATA
9	RECEIVE DATA
10	LOCK RTN
11	SIGNAL GND
12	RTS
13	CTS
14	SIGNAL GND
15	SIGNAL GND

Directly below the MPR(x) connector is a 5A Breaker that provides overcurrent protection for the AEI Controller. Pressing the pushbutton switch resets the breaker.

There are two 16 pin Phoenix connectors – Main Block & Aux Block. The pinout and connectivity of these terminal blocks are compatible with that of the SAIC AEI systems, thus making legacy upgrades a much simpler task.

MAIN BLOCK

PIN	SIGNAL
1	BATT POS
2	BATT NEG
3	TO1+
4	TO1-
5	TO2+
6	TO2-
7	PRES IN
8	Chassis GND
9	Unused
10	Chassis GND
11	Power Fail
12	Power Fail RTN
13	Unused
14	Unused
15	24 VDC
16	GND

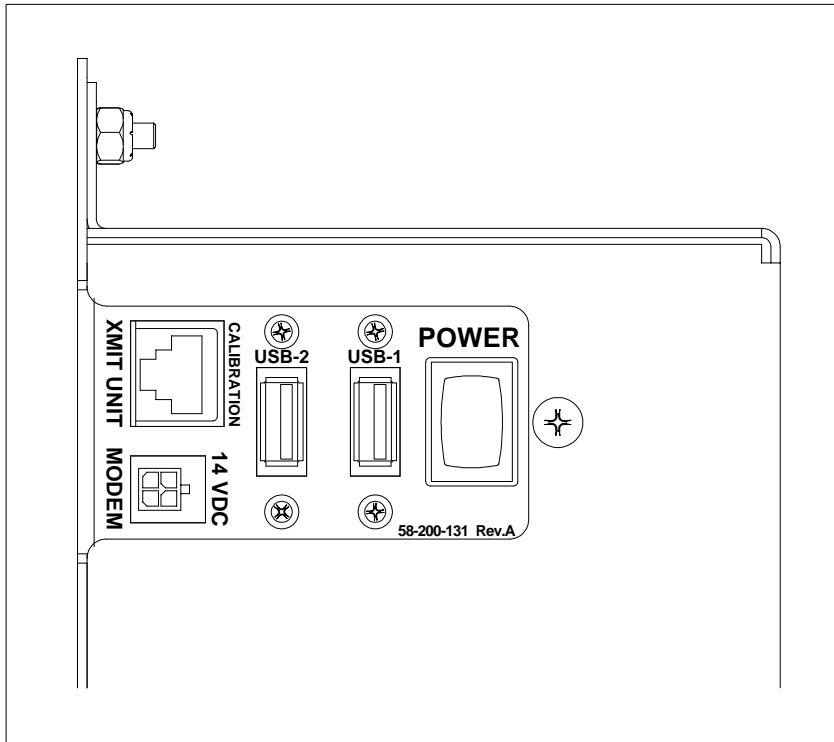
AUX BLOCK

PIN	SIGNAL
1	AMB SIG
2	AMB GND
3	AMB +12V
4	TO3+
5	TO3-
6	TO4+
7	TO4-
8	AUX INPUT
9	AUX RTN
10	TRACK SW1
11	TRACK SW RTN
12	TRACK SW2
13	PRES RTN
14	OUT-1
15	RTN
16	OUT-2 (RDR Disable)

There are two RJ45 connectors, the WAN and the LAN. These provide Ethernet connectivity to the AEI Controller.

2.2.3 Side Panels

On the left-side panel are two connectors, two USB ports, and a power switch.



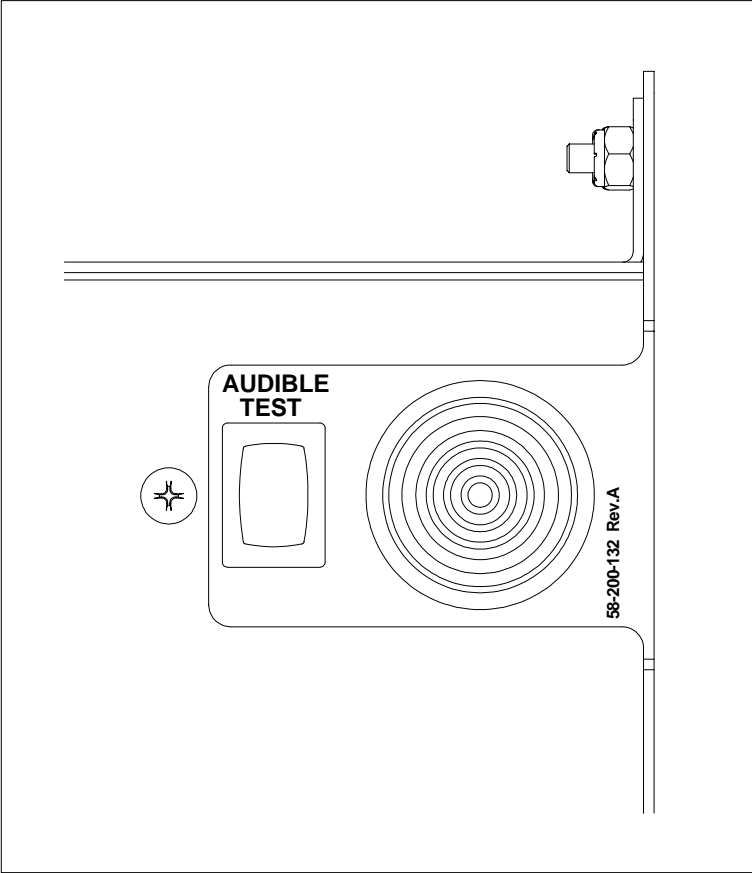
The RJ50 connector labeled **XMIT UNIT** provides a connection for the 2600-180 MRDI Transmitter Unit, which is used as an aid in wheel detector alignment.

The **MODEM** power connector is a four-pin Molex that provides power to the external modem.

PIN	SIGNAL
1	14 VDC
2	GND
3	14 VDC (to Ignition Sense)
4	NA

The **POWER** switch, as implied, switches the 24 VDC power to the AEI Controller.

On the right-side panel is a Sonalert buzzer, which is used in conjunction with the Audible Test mode. The Audible Test switch enables a test mode to assist with tag-read validation and the testing of the effective RFID read field. This mode activates the RF power on the AEI reader and produces an audible alert signal when the **RF LOCK** is detected. The Audible Test switch is for diagnostic purposes only and should be deactivated during normal AEI system operation.



2.2.4 Processors

The 2600-020 AEI Controller contains two processor cards, each with specific software and functionality: the Front End Processor (**FEP**) and the companion Industrial PC (**IPC**).

The FEP, which is a proprietary microcontroller board developed by STC specifically for AEI integration, is a unit that provides real-time control and data acquisition for all trackside devices; it is a combination processor/system interface board with signal conditioning, communications, filtering, and surge suppression components as required. The FEP software develops data records that include presence, speed, direction, axle count, and timing and tag information in near real-time.

The IPC receives those records generated by the FEP for consist development, storage, and transmission to remote back-office applications. The IPC software provides advanced algorithms that convert the FEP records to clean-standing order consists grouped by railcar footprint. Once the cars and locomotives are defined in proper standing order, tags are assigned.

The IPC features:

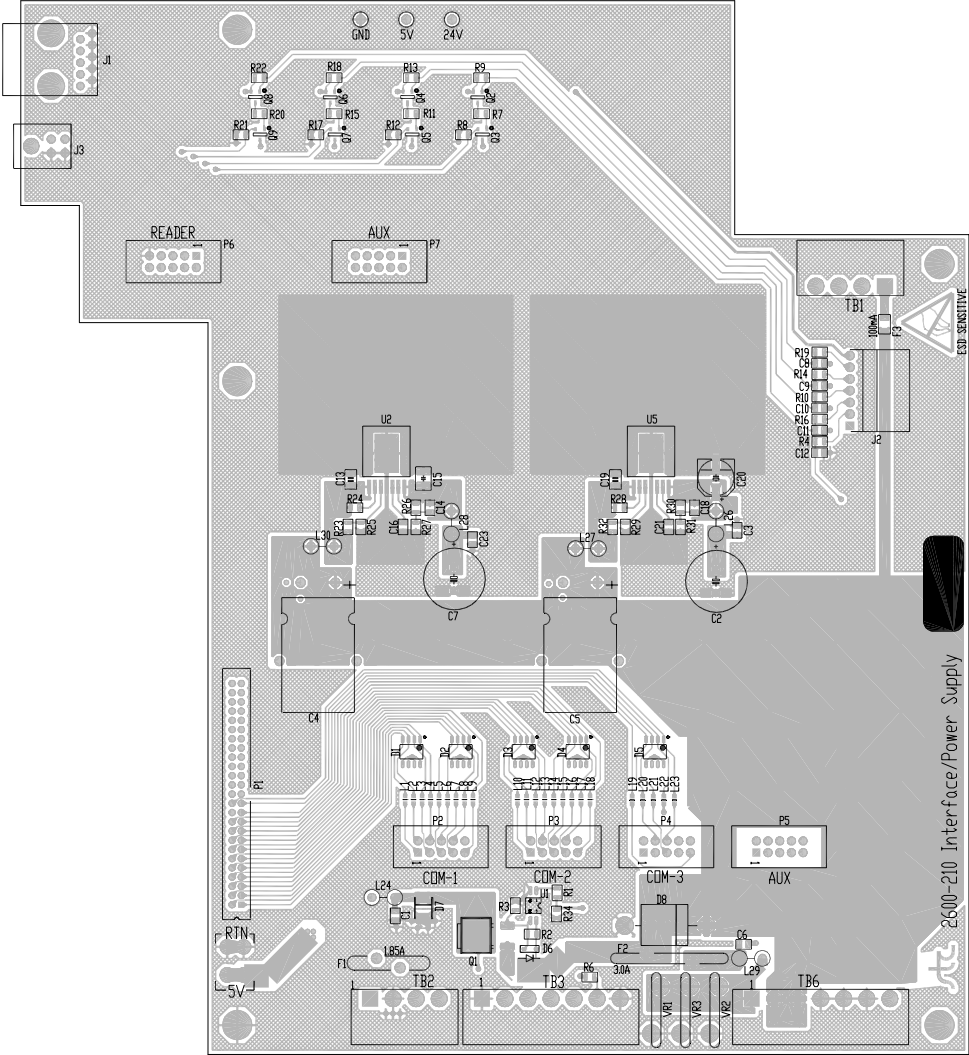
- S918-compliant consist development and transmission/maintenance reporting
- remote and local system setup and diagnostics
- double-track logic
- menu-driven user interface
- non-volatile file management system for long-term storage of up to 300 consists
- support for up to five defined consist reporting sessions and two maintenance reporting sessions
- interfaces for multiple modem types (landline, cellular, and IP)
- remote and local software updates for IPC and FEP by file transfer (includes error checking)
- Linux Operating System
- Ethernet connectivity

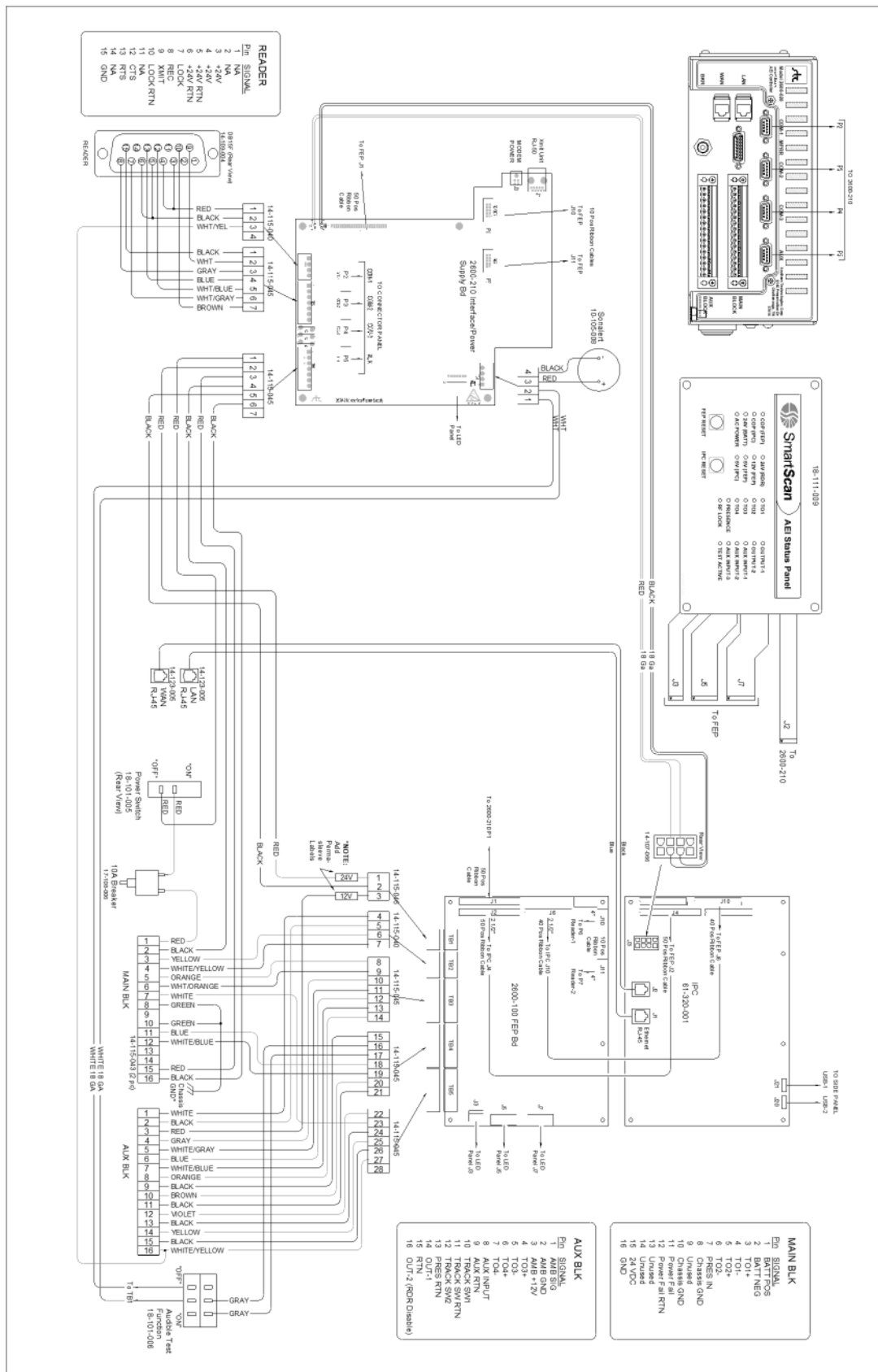
USB Drive

The processor module includes a micro-USB drive installed in a USB port on the upper left side of the module. Its purpose is to provide a mechanism for capturing the configuration information of a given site and could be used to transfer the configuration information from one AEI Controller to another. This might be done, for instance, when a hardware failure has been detected in an AEI Controller and a replacement module is being installed.

2.2.5 Interface/Power Supply Board

The 2600-210 Interface/Power Supply is the bottom-most board in the internal board stack. It provides signal conditioning and interconnections between the AEI Controller processors and the peripheral equipment. It also provides 5 VDC to the IPC and 14 VDC to the modem.





2600-020 AEI Controller-Internal Wiring Schematic (refer to the enlarged image in Appendix)

2.3 Reader Subsystem

The 2600-020 AEI Controller is specifically designed for compatibility with Transcore's **MRR** or **MPRX** reader modules. The MPR(x) reads and reports Radio Frequency Identification (RFID) tags in the original programmed format. It also decodes the owner's initials, equipment number, and side indicator of tags that are in the Association of American Railroads (AAR), International Standardization Organization (ISO), or American Trucking Association (ATA) data format.

Commands are used to control the operation of the reader subsystem. Setup commands are issued from the processor module upon startup to configure the operating parameters of the reader. The processor also sends the "RF ON" command whenever train presence is detected. As RFID tags are scanned, the reader transmits data strings, with appended timestamps, to the processor. This tag data will later be associated with its accompanying vehicle within the consist listing report.

The standard 2600-020 AEI Controller utilizes one MPR(x) reader subsystem with its RF unit set up to multiplex between RF Port0 and Port1.

Operation

Vehicles and equipment are tagged with a wireless transponder. The AEI reader subsystem reads these electronic tags as they pass a stationary antenna. The reader then transfers the data read from the tags to the 2600, where the data is processed and stored. As previously stated, RFID/AEI systems use non-contact, not-line-of-sight technology. Tags remain readable despite inclement weather and otherwise poor visual conditions.

Three key points of general operation are:

- Only one tag can be in the read field at any one time.
- The reader only reports a tag to the processor *one time*. If the tag must be read again, the reader must be reset by command instruction or by reading a different tag.
- The radio signal is horizontally polarized. The horizontal plane of the antenna must match the horizontal position of the tag.

2.3.1 MPRR (Multiprotocol Rail reader)

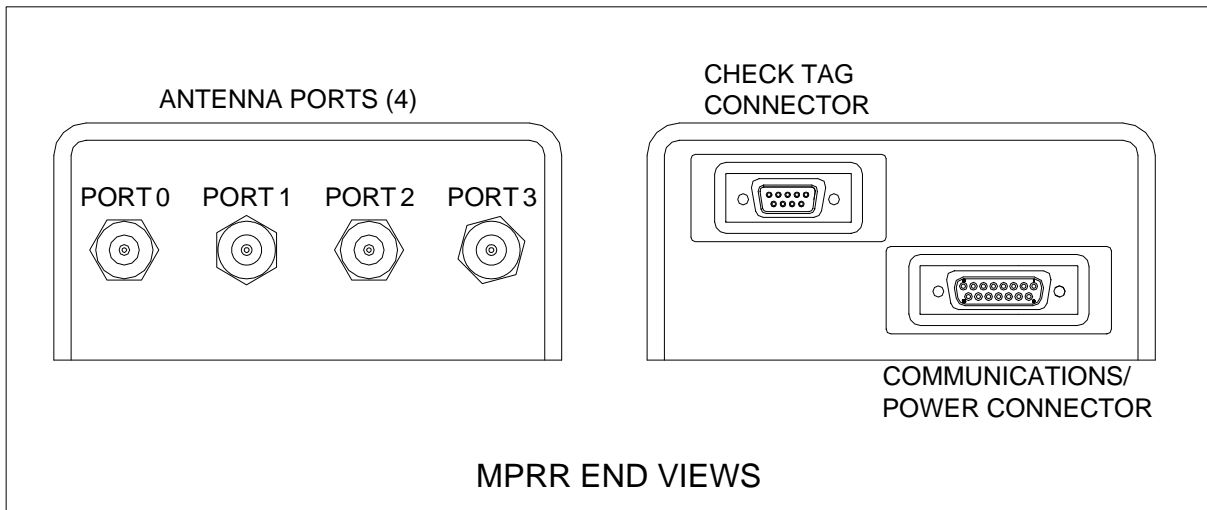
If your system uses an MPRX, skip to Section 2.3.2.

The MPRR Comm/Power Port connects to the 2600-020 AEI Controller via the 2600-762 MPRR Reader Cable. This cable is a DB15M to DB15M with straight-thru connections. The Check Tag connector is not used for this application.

MPRR COMM/POWER CONN

PIN	SIGNAL
1	SENSE0
2	SENSE1
3	+24V DC
4	+24V DC
5	+24V RTN
6	+24V RTN
7	LOCK
8	TRANSMIT DATA
9	RECEIVE DATA
10	LOCK RTN
11	SIGNAL GND
12	RTS
13	CTS
14	SIGNAL GND
15	SIGNAL GND

MPRR



2.3.2 MPRX (Multiprotocol Reader Extreme)

The MPRX Host Port connects to the 2600-020 AEI Controller via the 2600-767 MPRX Reader Cable. This cable is a DB15M to a 12-position CPC. The Sense connector is not used for this application.



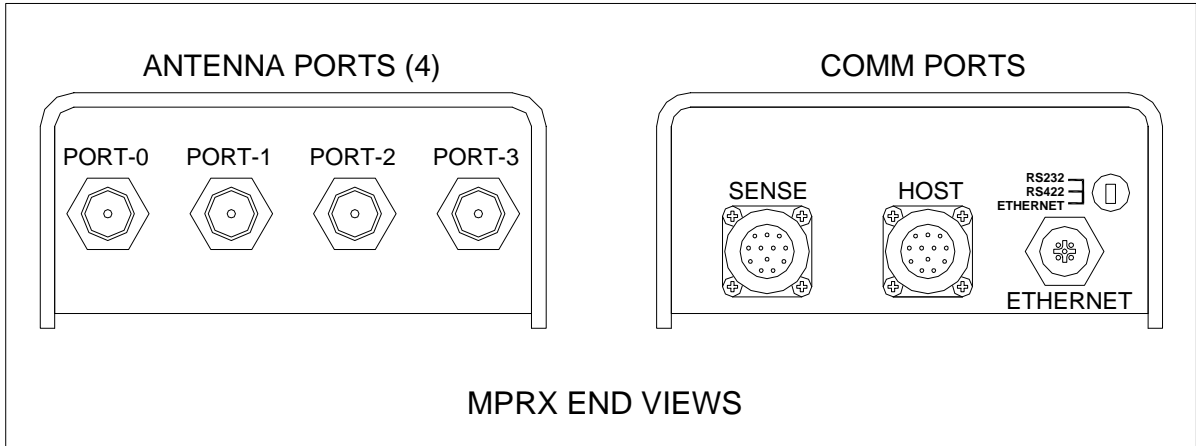
MPRX

HOST CONN PINOUT

PIN	SIGNAL
1	RX232_TX
2	RX232_RX
3	LOCK
4	LOCK_RTN
5	RS422_TX+
6	RS422_TX-
7	RS422_RX+
8	RS422_RX-
9	COM_GND
10	COM_GND
11	+V IN
12	+V RTN

SENSE CONN PINOUT (not used)

PIN	SIGNAL
1	+12VDC OUT
2	OUT1
3	I/O GND
4	I/O GND
5	PULSE OUT
6	OUT0
7	CTAG 0
8	CTAG 1
9	I/O GND
10	I/O GND
11	SENSE 1
12	SENSE 0



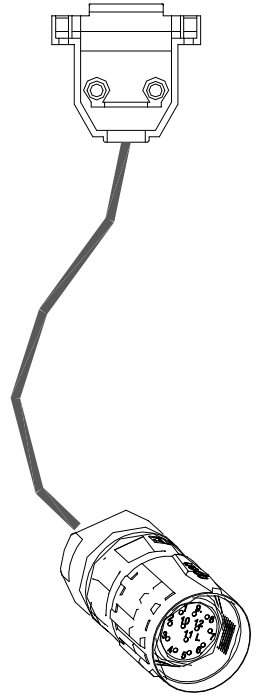
MPRX HOST

Pin	SIGNAL
11	+24V
12	+24V RTN
3	Lock
1	TX
2	RX
4	Lock RTN
9	GND

Red
Black
Orange
White
Green
Wht/Blk
Blue

2600 Pinout

Pin	SIGNAL
1	Sense0
2	Sense1
3	+24V DC
4	+24V DC
5	+24V Return
6	+24V Return
7	Lock
8	Transmit Data 1
9	Receive Data 1
10	Lock Return
11	Signal GND
12	Request To Send 1
13	Clear To Send 1
14	Signal GND
15	Signal GND



**2600-767
MPRX Cable**

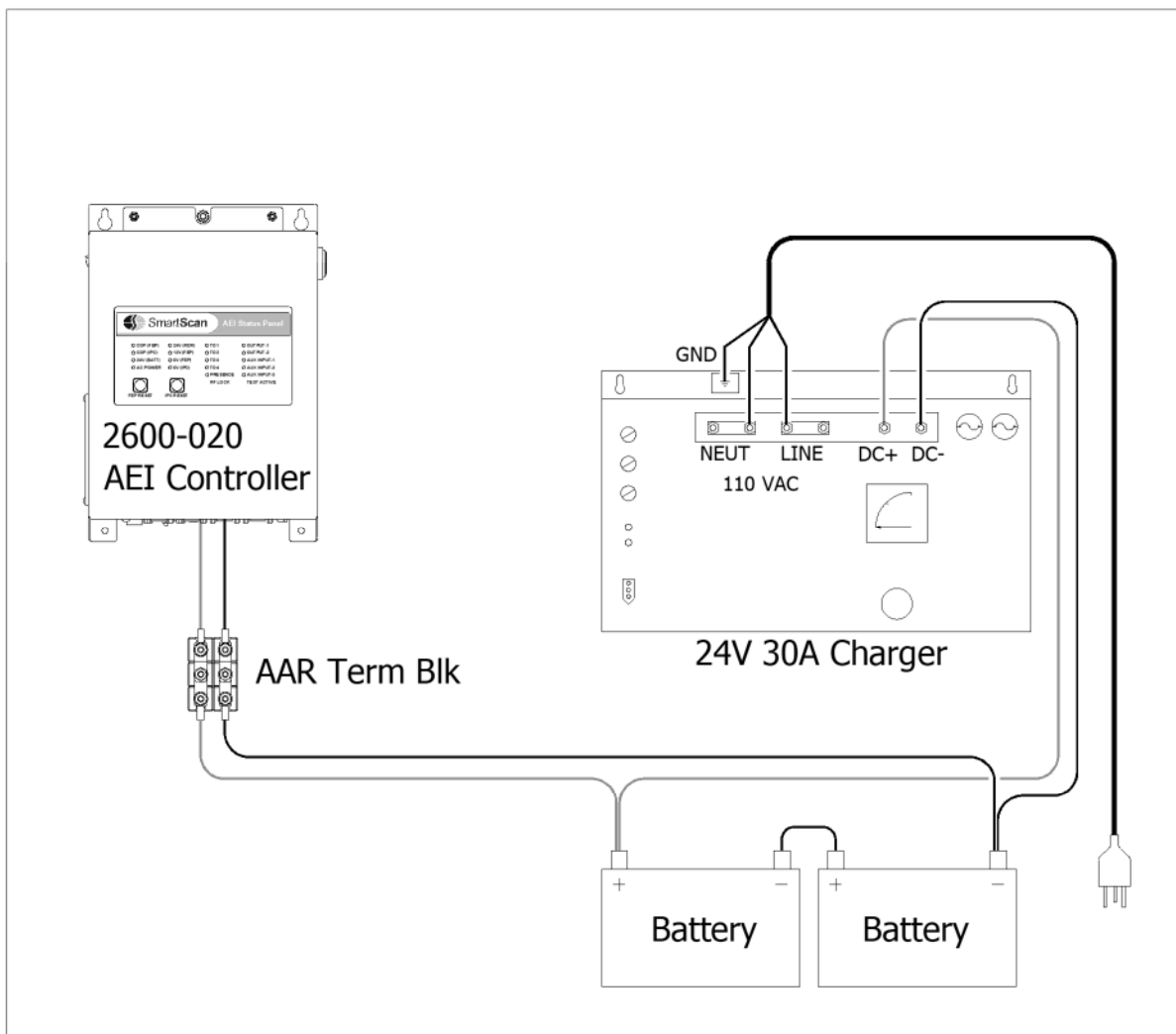
2.4 Power Subsystem

The 2600-020 AEI Controller requires a 24 VDC power supply for system operation. Its power subsystem consists of a 30A charger, a bank of batteries, and an AAR terminal block that can be used to break power to equipment.

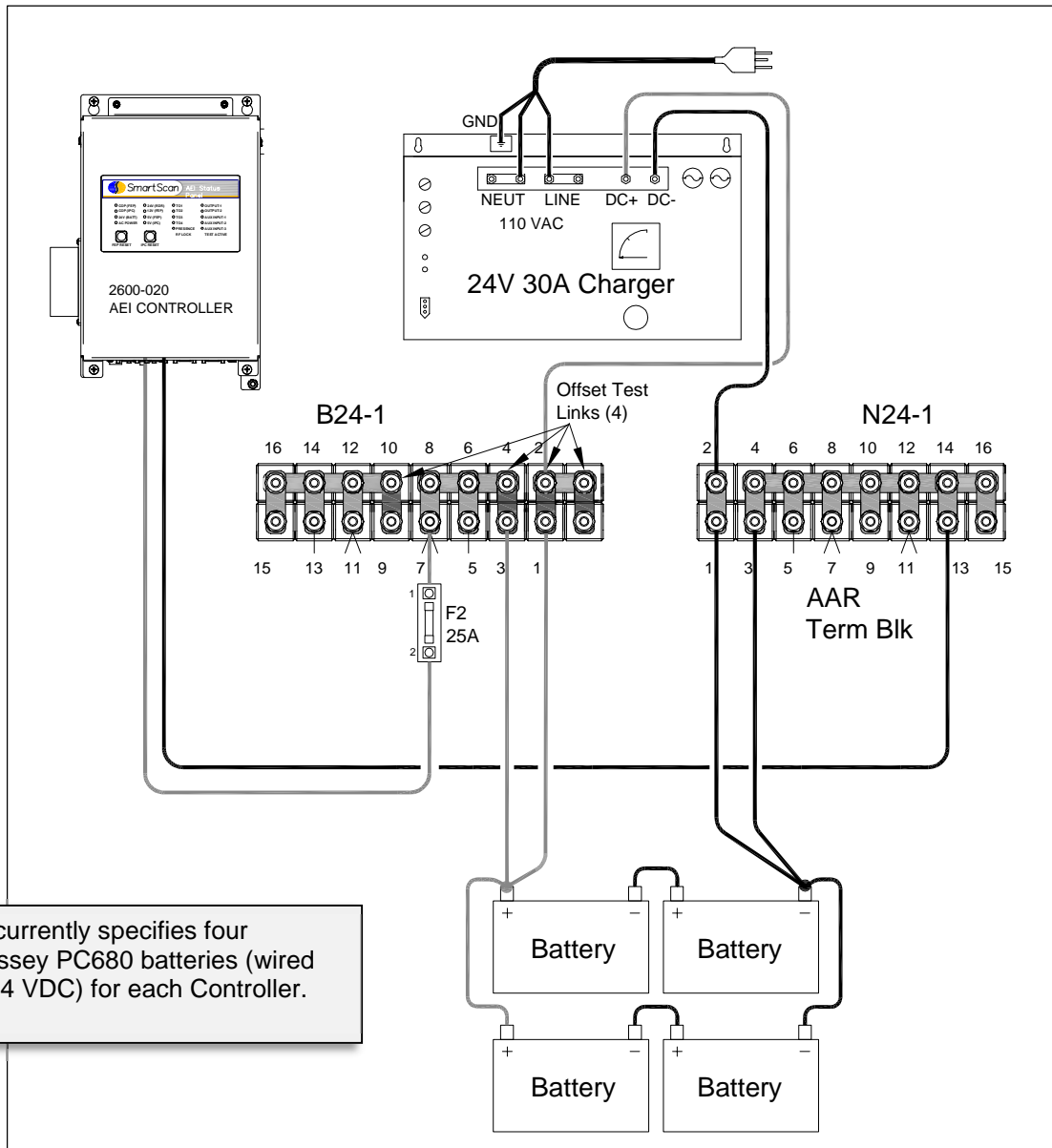
NOTE:

12-volt, 115-ampere-hour batteries are recommended. The use of smaller-capacity batteries reduces the amount of time that the system can continue to operate after an AC power failure.

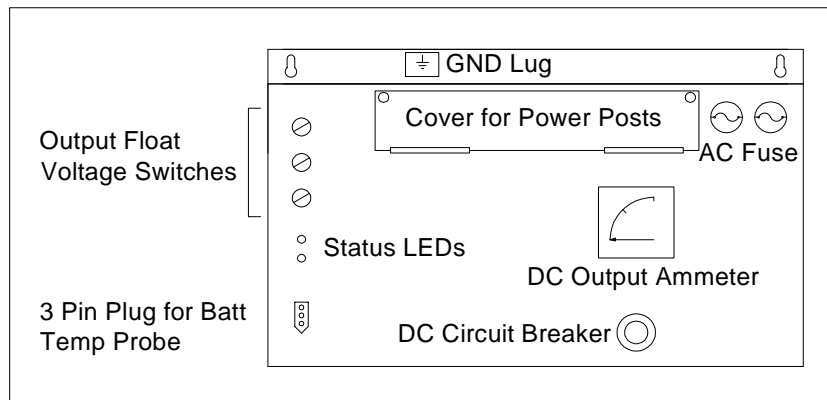
At multi-track sites, each controller requires its own dedicated batteries (a minimum of two, wired for 24 VDC). However, a single NRS 24/30 charger can efficiently charge all the batteries needed for a single-, double-, or triple-track application.



Battery Subsystem

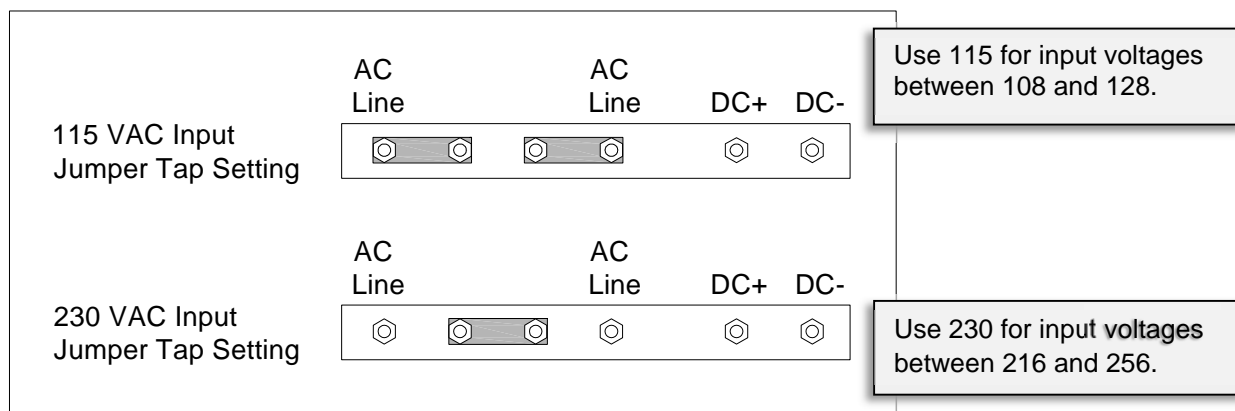


Battery Subsystem for CN (refer to the enlarged image in Appendix)



NRS Model 24/30 Battery Charger (Front)

An input voltage of either 115 VAC or 230 VAC can be selected by configuring the jumper tap settings.



The Model 24/30 is a convection-cooled, solid-state, SCR-regulated charger that provides either a constant current or constant voltage output.

The output can be set using the three rotary switches on the front of the charger. A voltage range of 20.0 to 39.9 volts can be selected to accommodate gel-cell, liquid lead-acid, nickel-cadmium, nickel-iron, and starved electrolytic batteries.

*The factory default setting is **28.00 VDC**.*

To reset the switches to the proper charging voltage, use a small slotted screwdriver to turn each switch to the desired number. If the desired battery voltage is 26.8 volts, set the top switch to 2, the middle switch to 6, and the bottom switch to 8 (*refer to drawing on previous page*).

CAUTION:

Ensure each switch is set **ON** a number and not **BETWEEN** numbers.

- If a switch is set between numbers, the output current will go to zero and the yellow “battery-charging” LED will flash.

Note: If the battery temperature probe is defective or not installed, the red “defective” LED is lit.

- If the battery is charging properly, the yellow “battery-charging” LED is lit.
- If one or more of the output float voltage switches is set between numbers, the yellow “battery-charging” LED flashes.

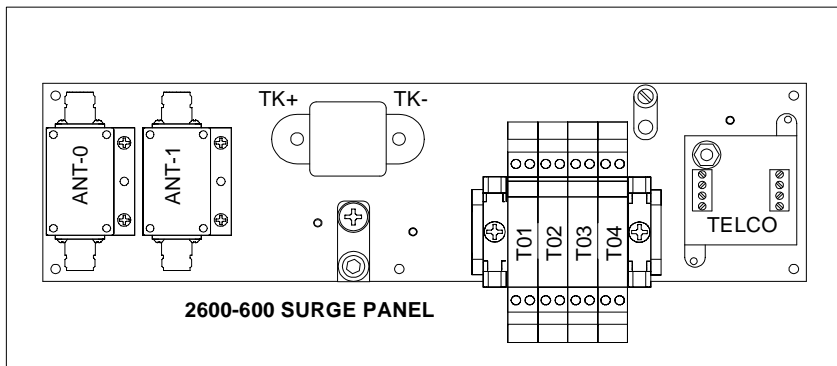
To the right of the AAR terminal posts are two 12-amp, 250-volt, fast-acting fuses. They protect the battery charger from excessive AC. Below the DC ammeter is a circuit breaker, which protects the battery charger from excessive DC current.

2.5 Presence Subsystem

Various types of presence-detection equipment, including audio overlay track circuits, loop detectors, and radar-based field detectors, can be utilized to activate the 2600-020 AEI Controller and initiate train scanning. They need only provide a set of normally closed contacts to interface to the controller's presence input. *Most systems use the ZEPIC III or Z3 Plus Audio Overlay.*

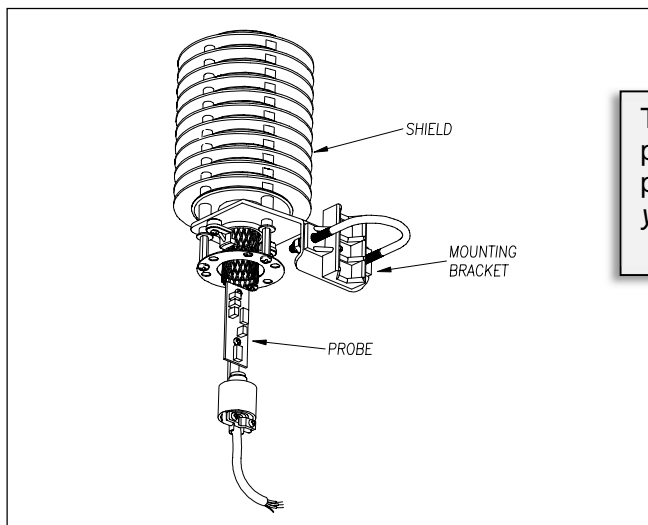
2.6 Surge Panel

The 2600-600 Surge Panel assembly consists of four UTBs (Universal Transient Barriers), a TTA (Three-Terminal Arrester), two coaxial arresters, and a phone line surge protector, all mounted to a copper ground plate. Its purpose is to provide transient protection for incoming wheel detector signals, track circuit, antennas, and phone lines.



2.7 Shielded Temperature Probe

The shielded temperature probe (one probe per system), which mounts to the outside wall of the wayside enclosure, provides accurate temperature indications over a range of -49°F to +149°F (-45°C to +65°C). Most system reports include site-ambient temperature (at the time the train passed the site).



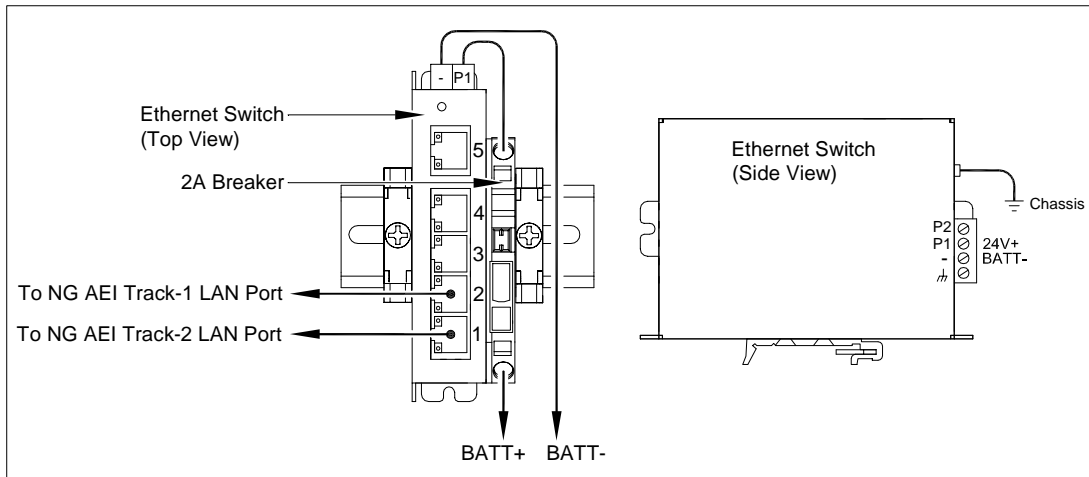
This figure shows the primary parts of a shielded temperature probe. (Note: This option is not yet available.)

The 2600-020 AEI Controller supplies 12 volts to the shielded temperature probe. The probe returns zero to five volts. Zero volts indicate a -49°F (-45°C) reading. Five volts indicate a +149°F (+65°C) reading. *During normal operation, neither reading should occur.* If you get a -49°F (-45°C) reading, the probe could be malfunctioning, or the cable from the probe to the controller could be cut. Similarly, if you get a +149°F (+65°C) reading, the probe could be malfunctioning, or the ground wire from the probe to the controller could be cut.

2.8 Ethernet Switch

For multi-track installations, an Ethernet switch is included to provide for communications between the local reader systems. The primary purpose of the switch-enabled communications is to enable the reader systems to share consist information to filter out cross-track tag reads.

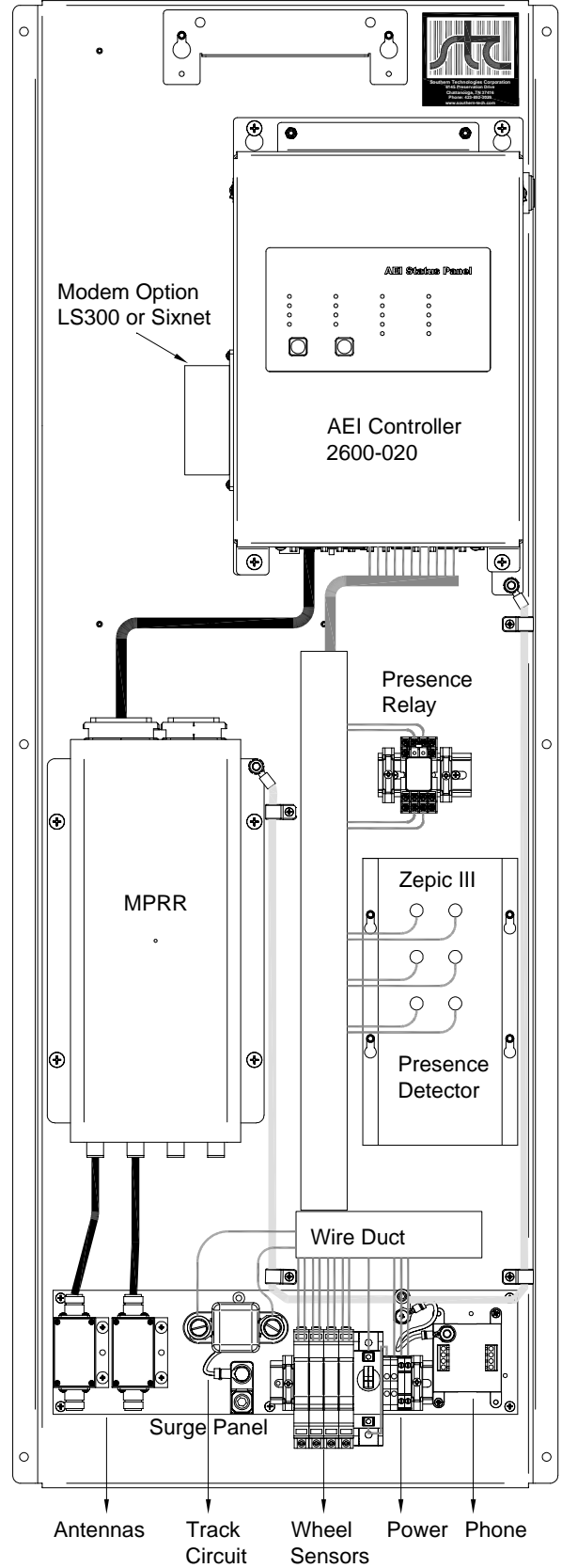
Only the LAN ports of the reader systems co-located at a multi-track site should be connected to the Ethernet switch.



2.9 Bungalow Panel Assembly (optional)

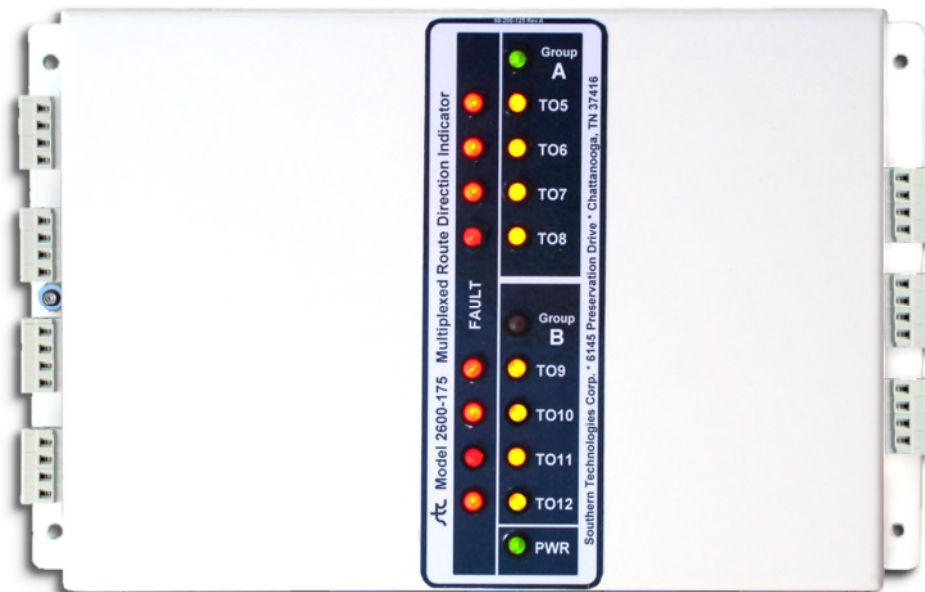
The 2600-93x series Bungalow Panel Assembly is a prepackaged system consisting of a 2600-020 AEI Controller, an MPR(x), a modem, a presence detector, and a surge panel. Its 18" x 48" footprint mounts easily to the wall of any suitable weatherproof structure. The panel's prewired cable harness provides all necessary interconnections and serves to simplify the system installation process further. Termination points at the bottom of the panel are provided to track hardware components, system power, and phone line. See the sample to the right. Yours may look different.

2600-93x Bungalow Panel Assembly



2.10 Multiplexed Route Direction Indicator (optional)

The Model 2600-175 Multiplexed Route Direction Indicator (MRDI) is designed for use in industrial/switched environments to track low-speed vehicles in consists. The MRDI interfaces with the 2600 AEI System to provide additional inputs for up to four dual-element Tiefenbach® wheel transducers for a maximum of six dual-element transducers per system.



Referring to the photo above, all of the transducer inputs enter the left side of the enclosure, and the outputs exit from the right. Decals on the sides of the unit indicate all connections. The eight individual inputs are grouped evenly into two groups: Group-A and Group-B. Group-A consists of TO5 through TO8, and Group-B has TO9 through TO12. The MRDI has four outputs that provide conditioned transducer signals to the 2600 AEI. The Group-A and Group-B LEDs indicate which group appears at the four outputs at any given time.

The 2600 AEI utilizes one of its spare outputs to select Group-A or Group-B. The 2600 AEI switches between the two groups at the rate of 1000 times per second. High switching rates cause Group-A and Group-B LEDs to appear to be simultaneously illuminated. If only one group is required for a project, switching between the two groups does not occur. Group-A is the default if only four inputs are required.

The yellow LEDs indicate transducer activity regardless of group selection. These LEDs are normally not illuminated and light to indicate that a target is within the sensing range of the associated transducer. If a transducer loses electrical connection, the associated red Failure LED will illuminate with the yellow transducer LED. Place a shorting jumper across unused transducer inputs to extinguish its LEDs and prevent false signals to the 2600 AEI.

The 2600 AEI controls group selection with the control (CTL) input to the MRDI. If the CTL input is left unconnected, grounded, or is at logic-low, Group-A appears at the four outputs. Logic-high applied to the CTL input selects Group-B.

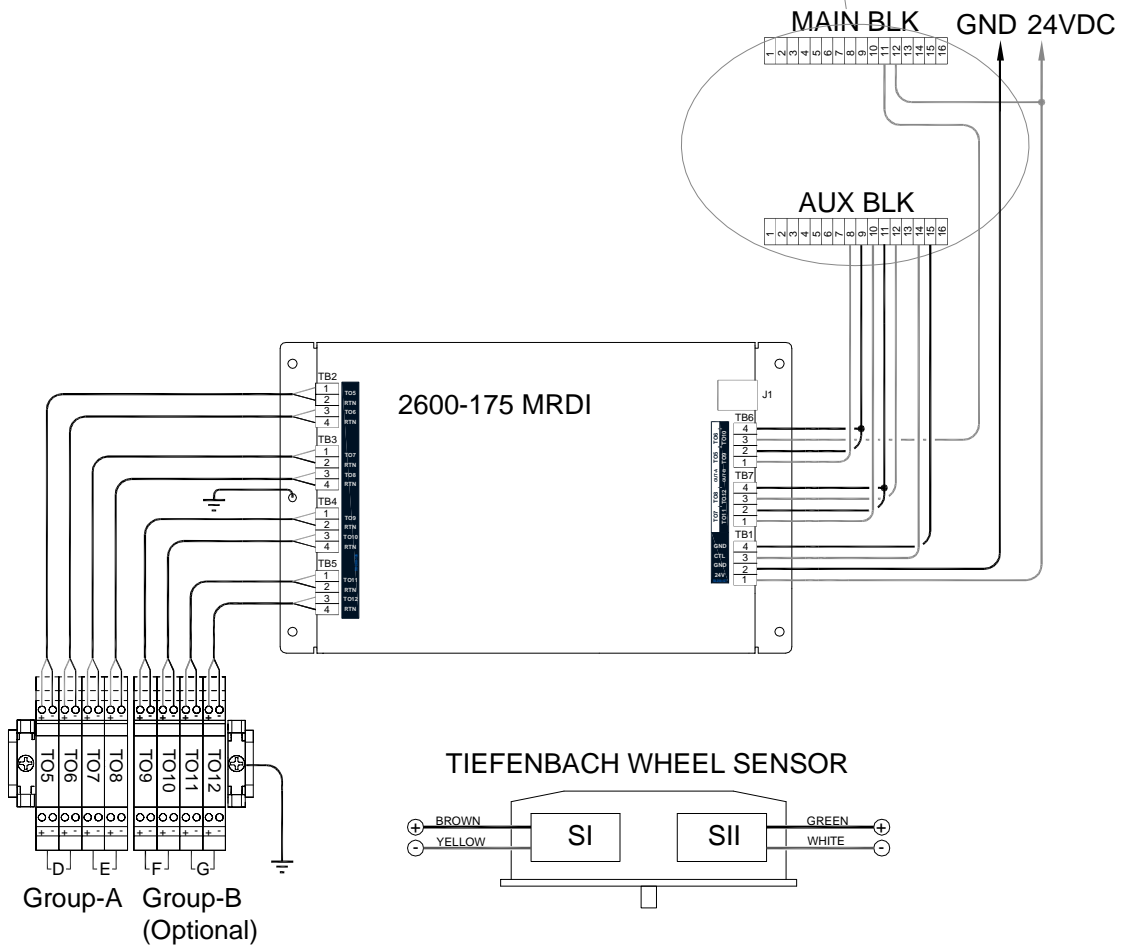
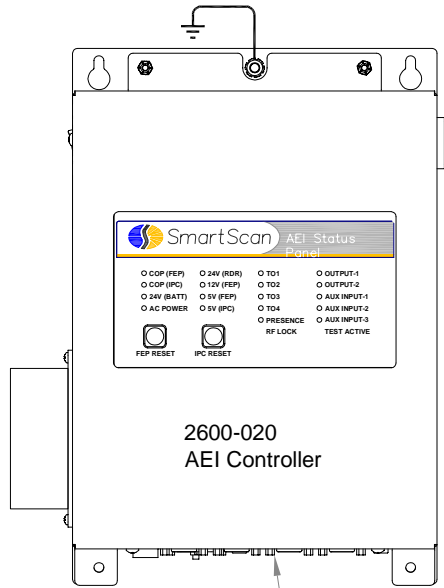
Each of the four open-collector outputs from the MRDI provides a signal path to ground when their respective transducer input activates. Each output connects to an optically isolated input of the 2600 AEI unit. The 2600 AEI repurposes these inputs for MRDI applications, and the associated LEDs on the 2600AEI status panel may not respond as anticipated. For example, it is normal for some of the LEDs to be normally illuminated and extinguished when the respective transducer activates. These LEDs may appear to remain constantly illuminated with train passage but are actually blinking off faster than may be perceived by the eye. Use the status LEDs on the MRDI for these observations. The following list defines the affected 2600AEI inputs.

- AUX Input becomes TO5/TO9 Input — AUX Input LED is normally illuminated and turns off when the wheel transducer activates.
- AC Input becomes TO6/TO10 Input — AC Input LED normally extinguished and turns on when the wheel transducer activates.
- Track Switch-1 Input becomes TO7/TO11 Input — Track Switch-1 LED normally illuminated and turns off when transducer activates.
- Track Switch-2 Input becomes TO9/TO12 Input — Track Switch-2 LED normally illuminated and turns off when transducer activates.

Referring to the first item in the bulleted list above, the 2600 AEI unit “sees” input TO5 when the CTL signal is logic-low and the TO9 input when the CTL signal is logic-high. The same explanation applies, respectively, to the remaining bulleted items.

MRDI Wiring Diagram

MRDI OUTPUT		2600-020 CONTROLLER
TB6 Pin-4	to	AUX BLK Pin-9
TB6 Pin-3	to	MAIN BLK Pin-11
TB6 Pin-2	to	AUX BLK Pin-9
TB6 Pin-1	to	AUX BLK Pin-8
TB7 Pin-4	to	AUX BLK Pin-11
TB7 Pin-3	to	AUX BLK Pin-12
TB7 Pin-2	to	AUX BLK Pin-11
TB7 Pin-1	to	AUX BLK Pin-10
TB1 Pin-4	to	AUX BLK Pin-15
TB1 Pin-3	to	AUX BLK Pin-14
TB1 Pin-2	to	BATT NEG
TB1 Pin-1	to	BATT POS



3.0 Track Components

3.1 Track Components

This section covers the installation and operation of the major track components that are used by SmartScan AEI systems:

- wheel detectors;
- three types of AEI antennas;
- presence detectors.

Note: *As previously stated, no one system uses all of the described components.*

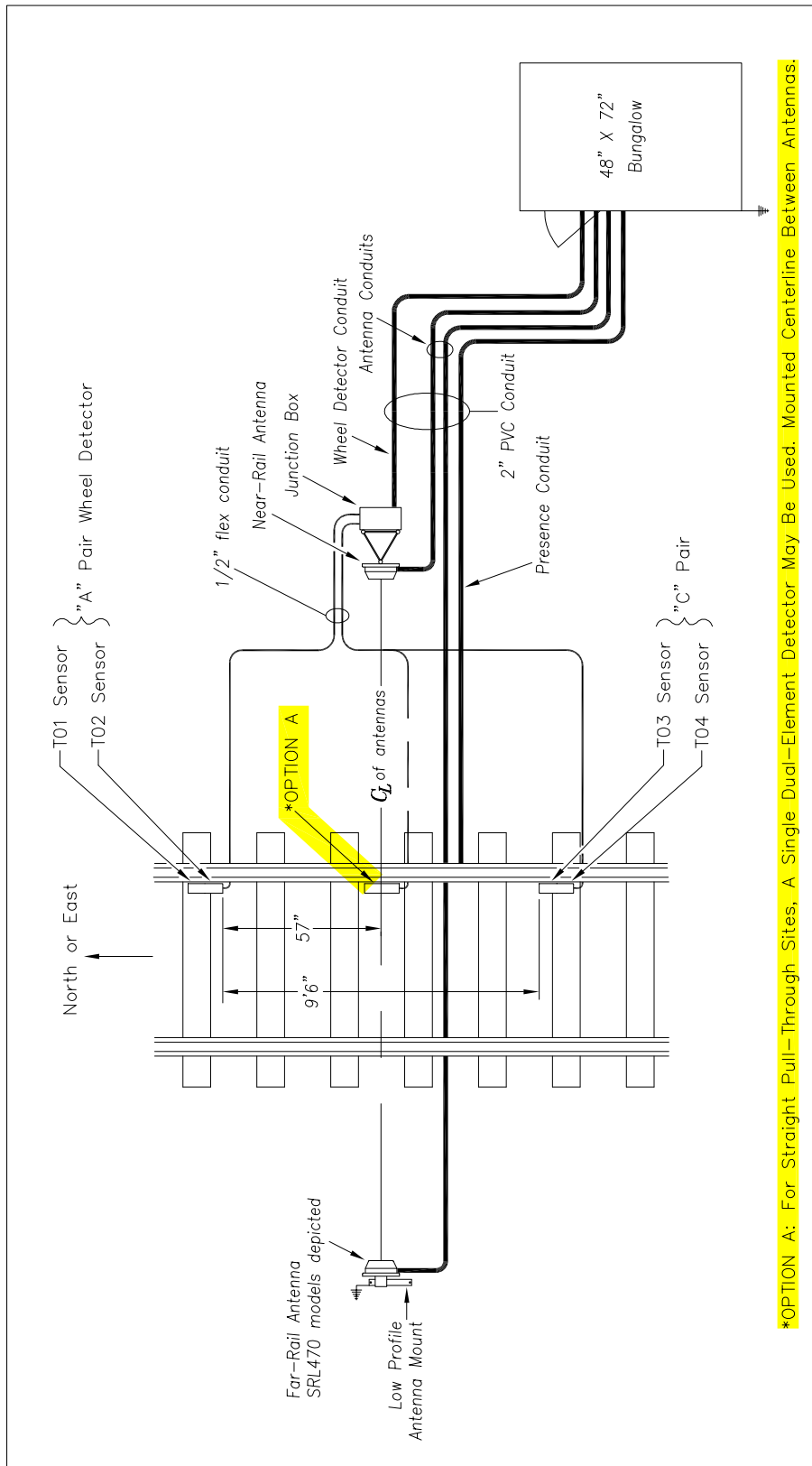
Where the Model 2600-020 AEI System is installed as a replacement for an existing legacy system, the installation process typically consists of the following:

- installation of a second Tiefenbach double-wheel detector*;
- relocation of the existing AEI antennas and the existing Tiefenbach double-wheel detector;
- interfacing the existing presence-detection equipment to the 2600-020 AEI Controller.

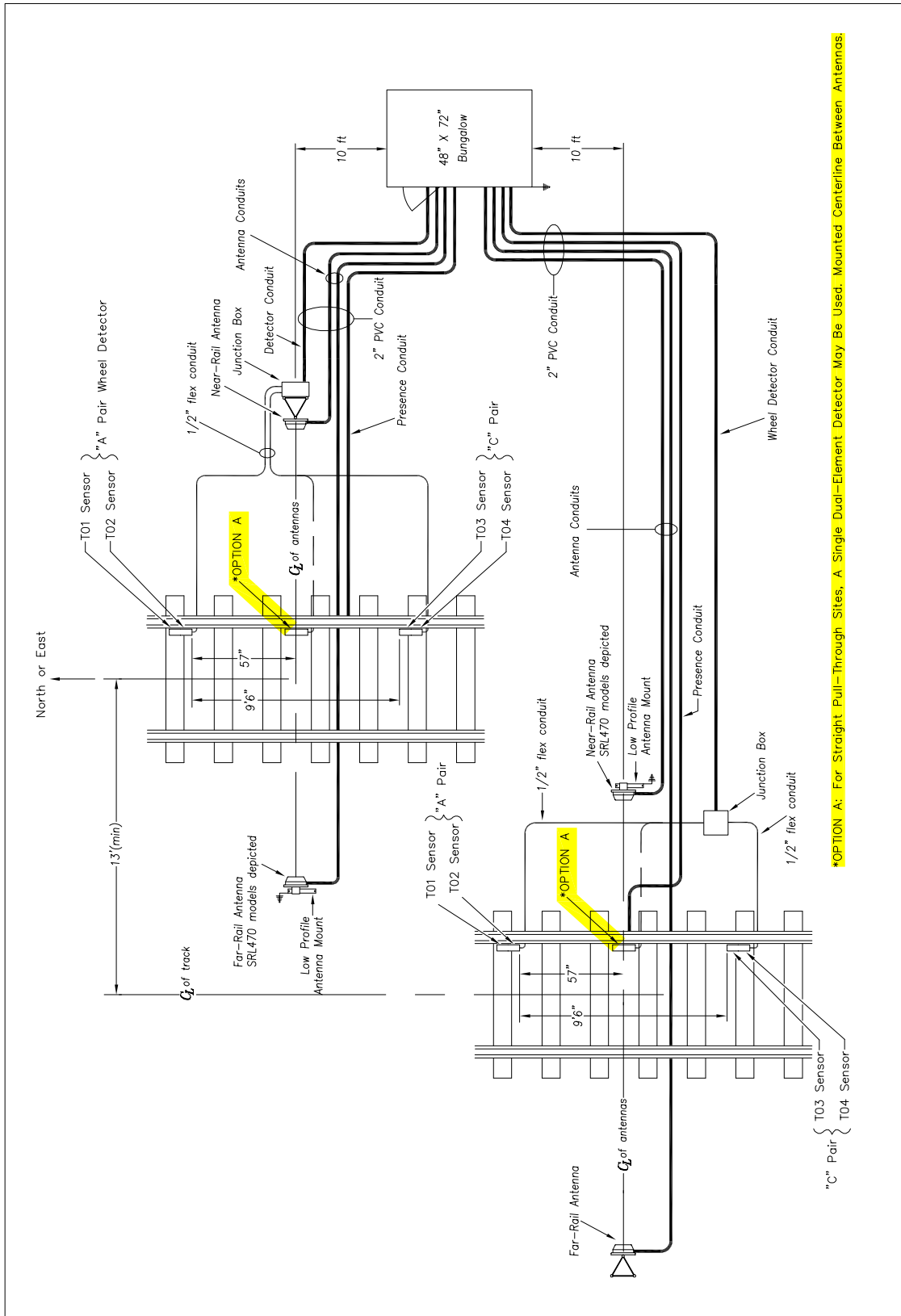
For new sites, the installation process consists of the following:

- installation of Tiefenbach double-wheel detectors;
- installation of towers and AEI antennas;
- installation of presence-detection equipment.

*A single double-wheel detector application is only an option for those sites with straight pull-through traffic.

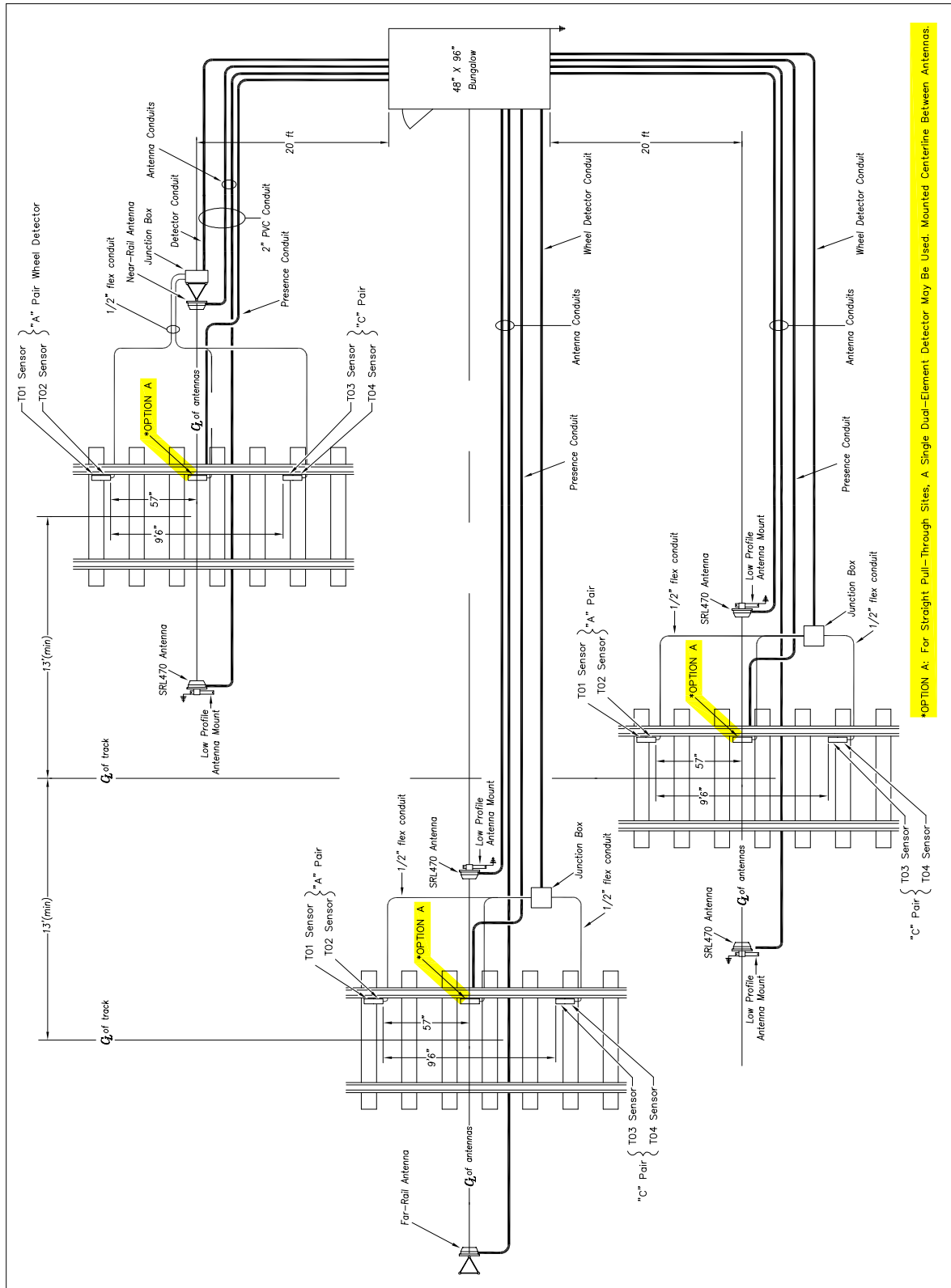


Typical Single-Track Equipment Layout (refer to the enlarged image in Appendix)



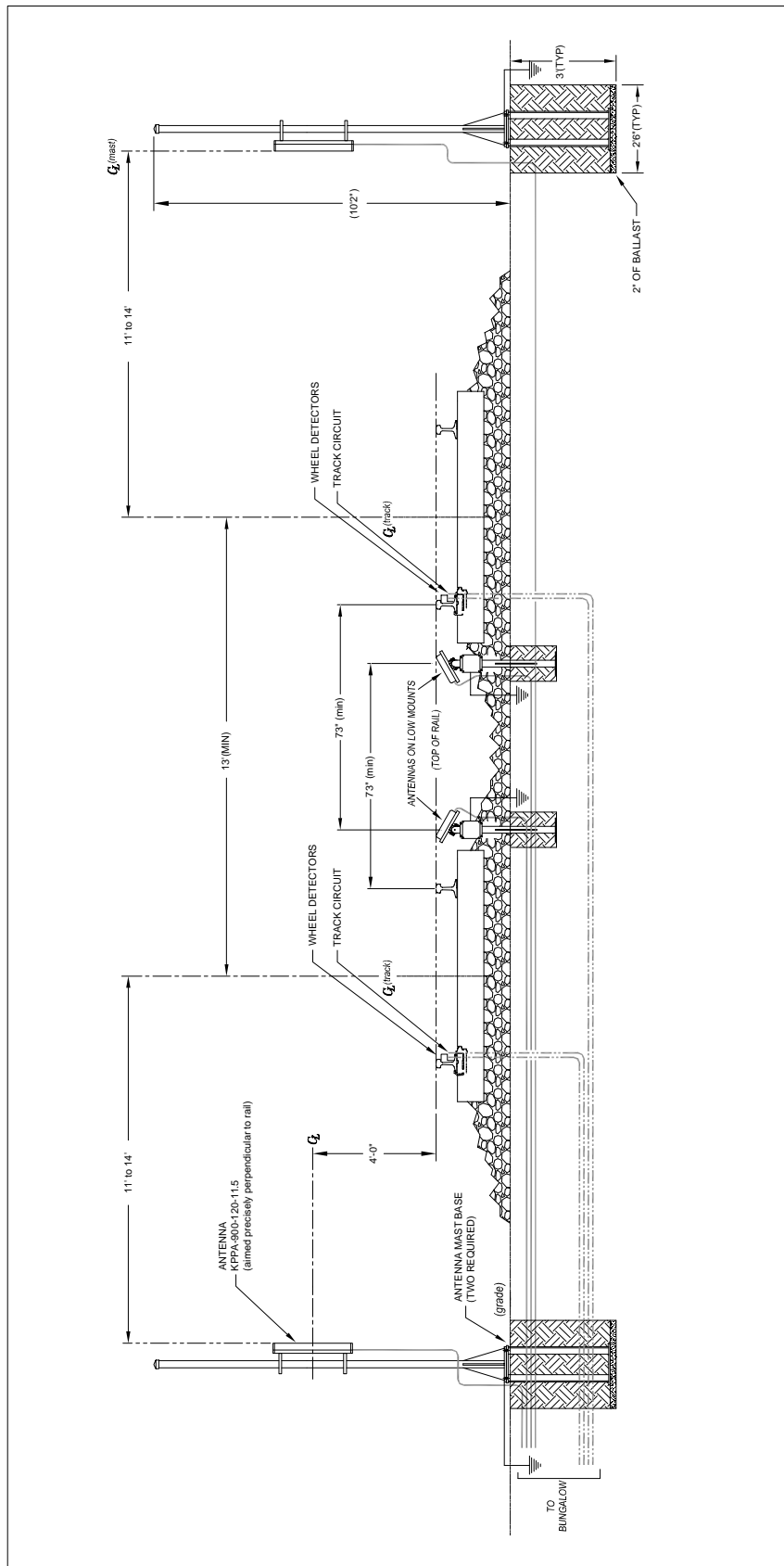
*OPTION A: For Straight Pull-Through Sites, A Single Dual-Element Detector May Be Used. Mounted Centerline Between Antennas.

Typical Double-Track Equipment Layout (refer to the enlarged image in Appendix)



Typical Triple-Track Equipment Layout (refer to the enlarged image in Appendix)

OPTION A: For Straight Pull-Through Sites, A Single Dual-Element Detector May Be Used, Mounted Centerline Between Antennas.



Double-Track Elevation Drawing (refer to the enlarged image in Appendix)

3.2 Wheel Detectors

The Model 2600-020 AEI Controller requires two double-wheel detectors to record axle patterns accurately and, from those, establish a car breakout during stop-and-reverse type movements. There are two compatible wheel detector options that will operate with the 2600-020 system – the Tiefenbach and the Frauscher.

Each wheel detector has a pair of independent sensing elements. The northernmost or easternmost detector is designated as the “A-Pair.” Its pair of sensing elements is designated TO1 and TO2, with TO1 being the northernmost or easternmost sensor. The second Tiefenbach is designated as the “C-Pair,” and its pair of sensing elements is designated TO3 and TO4, with TO4 being the southernmost or westernmost sensor.

Signals received from detectors TO1 through TO4 are processed by the controller to determine train speed, direction, and car recognition.

For those mainline AEI sites with straight pull-through traffic only, a single double-wheel detector provides adequate wheel data for vehicle breakout algorithms. For these applications, the wheel detector is mounted centerline of antennas.

3.2.1 Wheel Detector Mounting Considerations

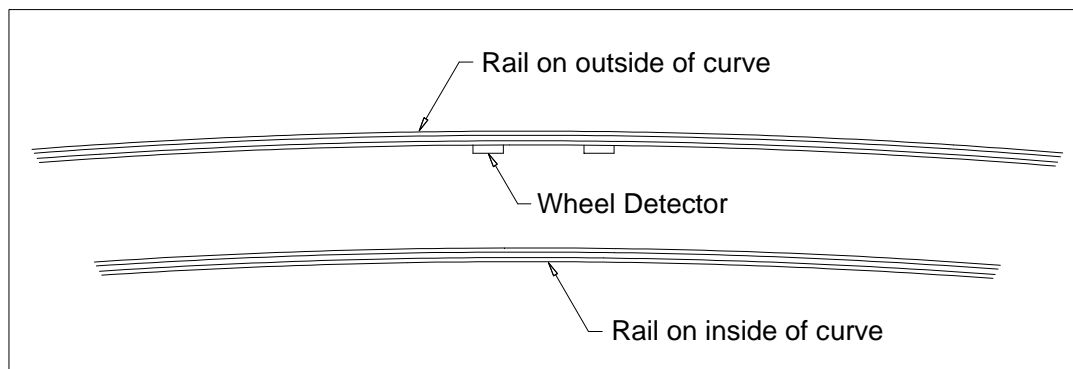
The following considerations (detailed below) should be regarded before mounting double-wheel detectors to the rail.

Consideration 1:

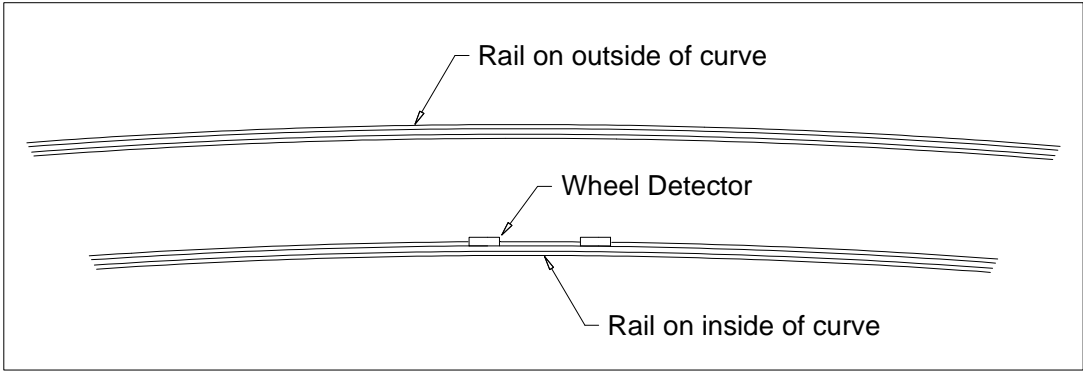
If your site has a double-wheel detector already installed, it can be recycled and used along with a second wheel detector (supplied). Relocation of the existing wheel detector will likely be necessary to comply with the standard track layout requirements.

Consideration 2:

If mounting the detectors in a curved section of track, the standard practice is to mount them to the rail on the outside of the curve.

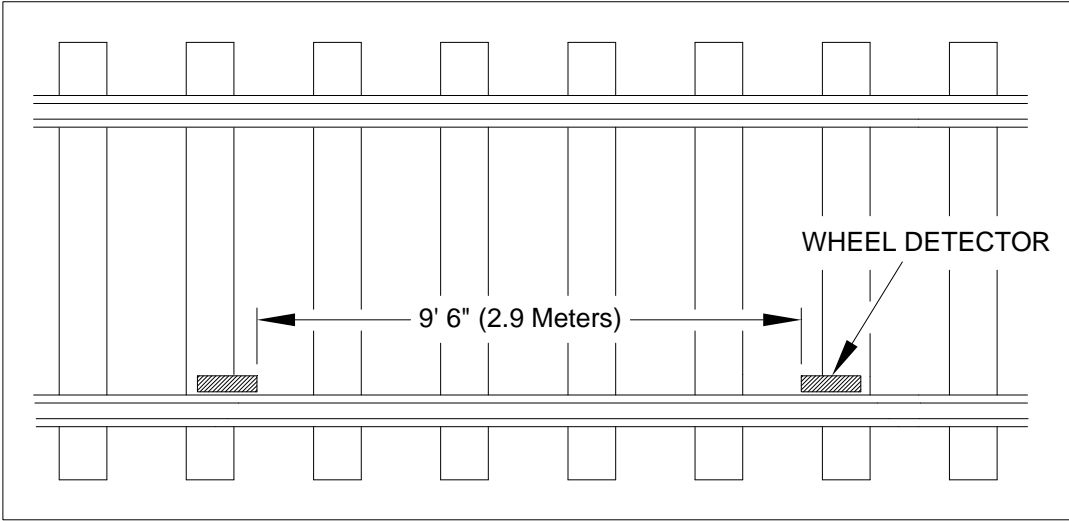


Exception: CN specifies that wheel detectors be mounted to the *inside* of the curve.



Consideration 3:

For those sites with stop- and reverse-type movements, the quad-detector configuration (two double-wheel detectors) is essential. The spacing between the mounted detector modules must be 9'- 6" when measuring the gap between the modules (inside-to-inside measurement). This measurement is critical for achieving accurate speed and car length calculations.



Consideration 4:

The detectors should be mounted such that the AEI reader antennas are as near the center of the 9'-6" gap as possible.

Consideration 5:

For those straight pull-through-type sites, a single double-wheel detector should be mounted on the centerline with antennas.

3.2.2 Tiefenbach Wheel Detector Installation

If you have Frauscher wheel detectors, skip ahead to Section 3.2.4.

The Tiefenbach wheel detector is a reliable, proven device for use in AEI systems for the rail environment. However, due to many variables, such as railhead wear, wheel tread wear, and wheel flange thickness, the performance of the wheel detector can be severely compromised if improperly installed or incorrectly adjusted.



A properly installed wheel detector will be mounted on the gauge side of the rail and parallel with the top of the rail at a distance of 1 3/4" below the rail crown.

NOTE: *The wheel detector should never be under the rail crown when viewed from the top.*

Mount the wheel detector modules to the rail using the approved Tiefenbach clamp system or by drilling the rail and mounting directly to the web. The alignment of the Tiefenbach detectors in relation to the head of the rail is critical to achieving optimal performance.

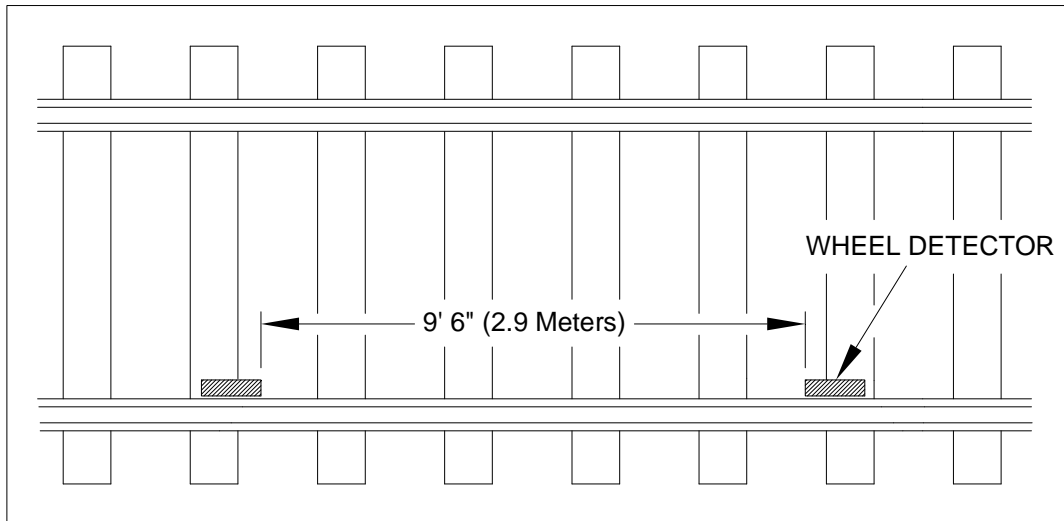
Color-coded shims are included with each wheel detector to provide proper horizontal spacing for the various rail profiles. The chart below specifies the shim(s) needed for the most common rail sizes. For another size rail, refer to the Tiefenbach Assembly Instruction Guide for 2N59-1R-200-45I or call STC.

RAIL TYPE	Shim/Spacer (color)
115 RE	None
119 RE	thin red
132 RE	green
133 RE	green
136 RE	1 thick red / 1 grey
140 RE	1 thick red / 1 thin red
141 RE	white

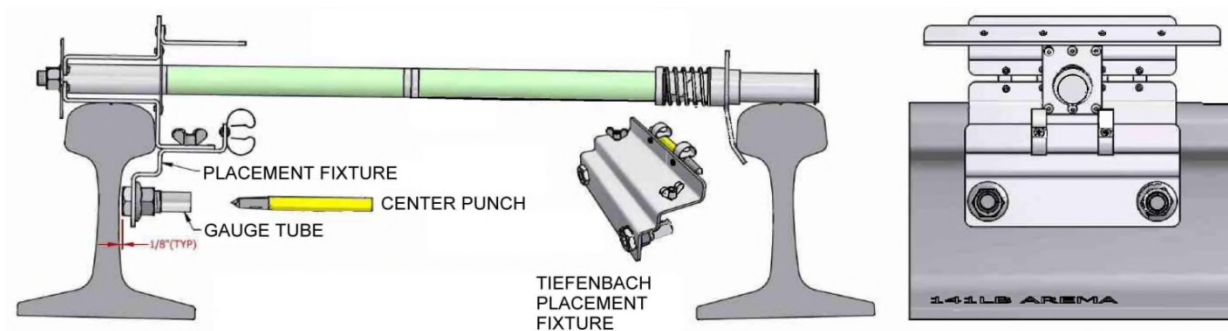
Shim/Spacer Chart for Tiefenbach Wheel Detector

Drill-Mounted Detectors

For quad-wheel detector installations (two Tiefenbach double-wheel detectors), each detector body is positioned approximately 57" on either side of the antenna centerline to establish the proper wheel detector spacing of 9.6" (inside-to-inside measurement). If the site uses one double-wheel detector, install it on the antenna centerline. The 2600-800 Placement Gauge can be used to mark holes for drilling.



1. Install the Tiefenbach Placement Fixture on the 2600-800 Wheel Detector Gauge, as shown. The fixture (web) depth is adjustable for different-sized rails.
2. Remove the center punch from the holder and place it in the Gauge Tube to mark the rail for drilling.



3. Mounting holes are to be drilled parallel to the foot of the rail (drill diameter = 13mm). Hole center to hole center = 145mm.
4. Place the proper-colored spacer combination (per rail size) on the side of the detector in order to obtain the required distance away from the rail web.
5. Mount the detector with the spacer to the web of the rail, and then tighten it to a torque of 50-60 Nm.

Clamp-Mounted Detectors

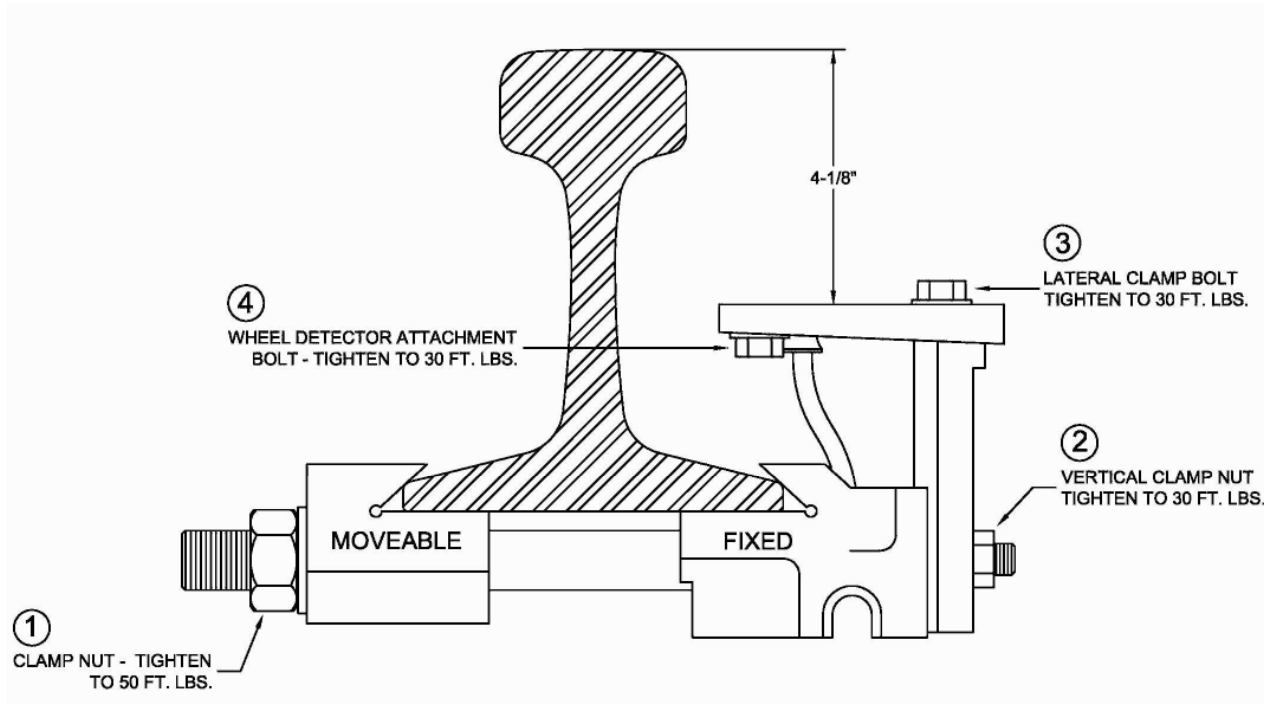
STC highly recommends the use of the 2100-606 Tiefenbach Rail Mount Bracket for permanent placement of the Tiefenbach wheel detector. The bracket provides a simple means for attaching the wheel detector to the rail, as well as a means for adjusting the wheel detector to its optimal location, both vertically and laterally. The clamp provides the additional advantage of eliminating the need for drilling the rail.

Step 1: Installing the clamp base

1. Select the tie crib where the wheel detector is to be installed and remove approximately 6" of ballast from beneath the rail.

Note: For quad-wheel detector installations (two Tiefenbach double-wheel detectors), each detector body is positioned approximately 57" either side of the antenna centerline. If the site uses one double-wheel detector, install the clamp on the antenna centerline.

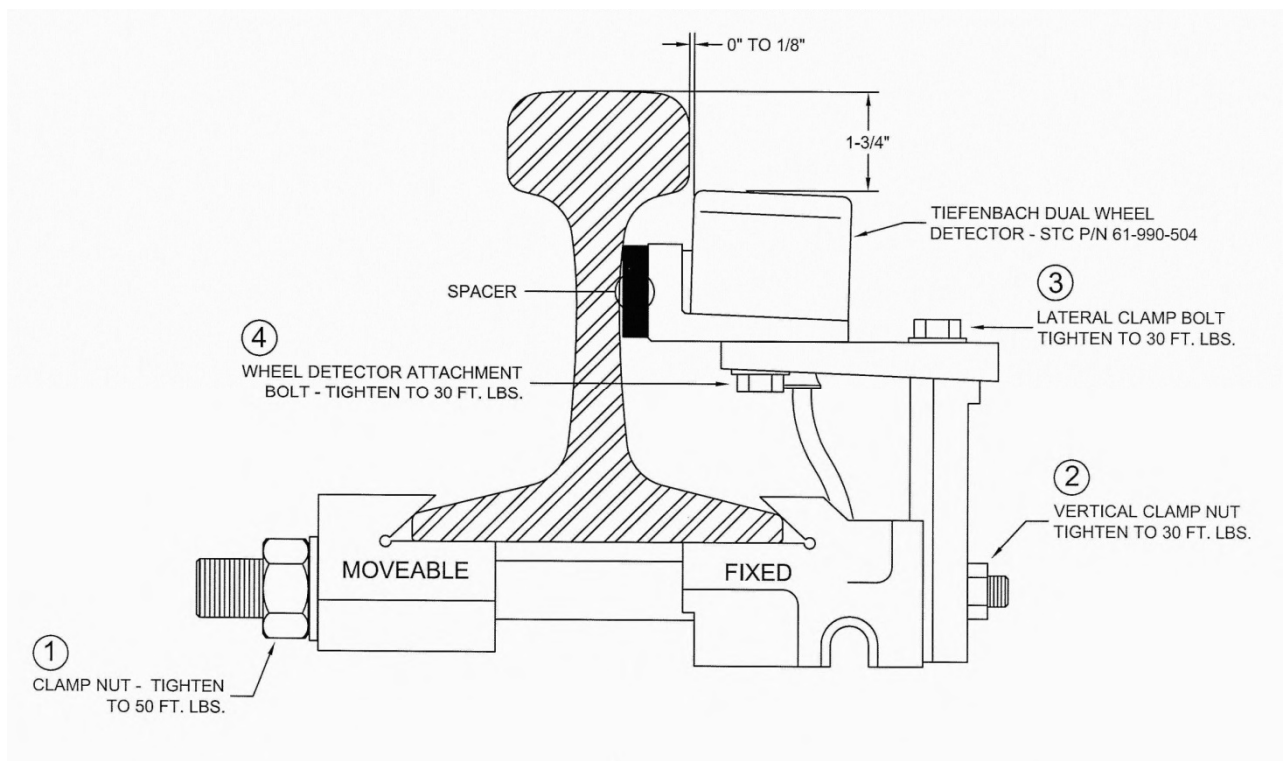
2. Slide the mounting bolt and moveable clamp under the rail while engaging the fixed clamp on the rail base on the gauge side of the rail.
3. Loosen the clamp nut enough to allow the moveable clamp to engage the rail base.
4. Square the clamp with the rail base, and then tighten the clamp nut to a final torque of 50 ft. lbs.



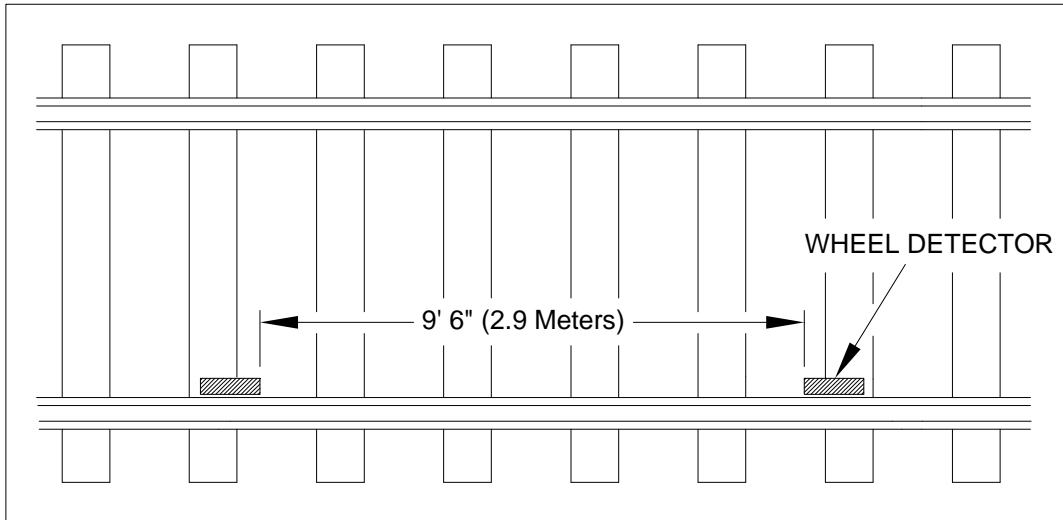
Step 2: Setting the height

Note: It is preferable to set the clamp height before attaching the wheel detector to the clamp assembly.

1. Place a straightedge across the top of both rails.
2. Loosen the vertical clamp nuts.
3. Using a 3/16" hex wrench, turn the vertical jack screw until the wheel detector mounting surface is 4-1/8" below the straightedge when measured to the machined surfaces of the mounting plate.
4. Check the 4-1/8" dimension at both ends of the mounting plate to be sure they are parallel with the top of the rail.
5. Tighten the vertical clamp nuts to a torque of 30 ft. lbs.
6. Place the Tiefenbach wheel detector on the mounting plate with the appropriate-colored shims installed (see the shim chart at the beginning of this section).
7. Install the wheel detector attachment bolts and push the wheel detector toward the rail as far as it will go. If any portion of the wheel detector is under the railhead, install a thicker shim and repeat the process. Tighten the bolts to a torque of 30 ft. lbs.



8. Check the wheel detector spacing from inside to inside of wheel detectors (see below). This distance should be 9'-6". If necessary, loosen the lateral clamp bolts and move the wheel detectors to achieve the proper spacing. Tighten the clamp bolts to a torque of 30 ft. lbs.



Step 3: Verifying alignment

1. Place a straightedge across both rails and measure from the bottom of the straightedge to the top of the wheel detector. The measurement should be 1-3/4" +/- 1/16" when taken at the gauge line.
2. Visually check the relationship of the wheel detector to the gauge surface of the rail to ensure the wheel detector is parallel from end to end and that it is **not** under the railhead.

The installation of the wheel detectors is complete.

Connecting the wheel detectors to the AEI Controller

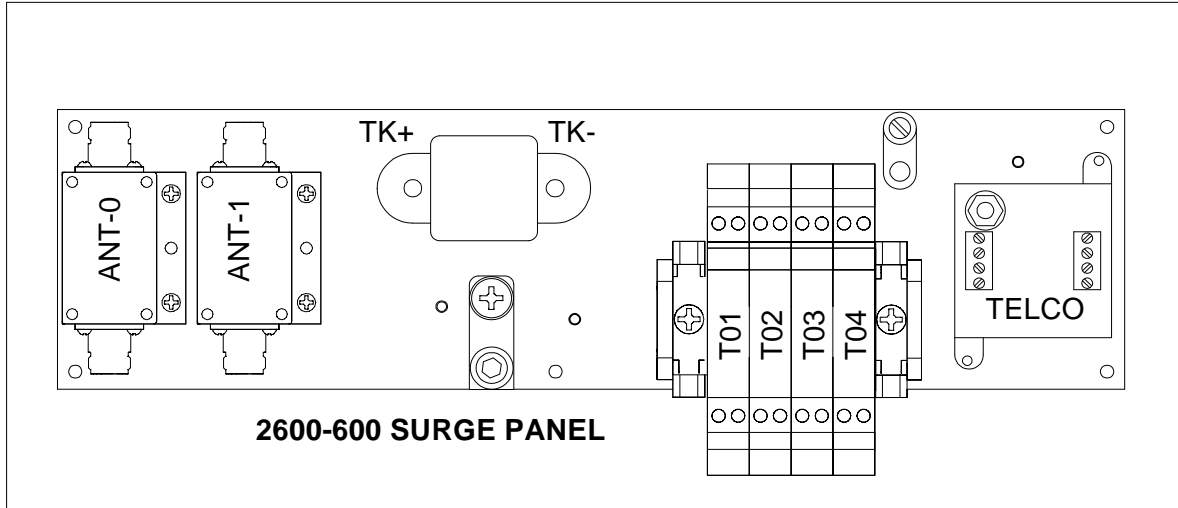
Wheel detector Designation

After mounting both wheel detector modules, use the following criteria to determine which is the "A-Pair" and which is the "C-Pair."

- On a north-south track, the A-Pair is the first wheel detector a southbound train crosses. Within the A-Pair, sensing element TO1 is the first element crossed, and TO2 is the second.
- The second wheel detector crossed by a southbound train is the C-Pair. The first sensing element of the C-Pair becomes TO3, and the second element becomes TO4.
- On an east-west track, the A-Pair is the first wheel detector a westbound train crosses. Within the A-Pair, sensing element TO1 is the first element crossed, and TO2 is the second.
- The second wheel detector crossed by a westbound train is the C-Pair. The first sensing element of the C-Pair becomes TO3, and the second element becomes TO4.
- For those sites that use a single Tiefenbach double-wheel detector, it is designated the A-Pair, with TO1 the northernmost or easternmost detector, and TO2 the southernmost or westernmost detector.

Routing and Connecting Wheel Detector Cables

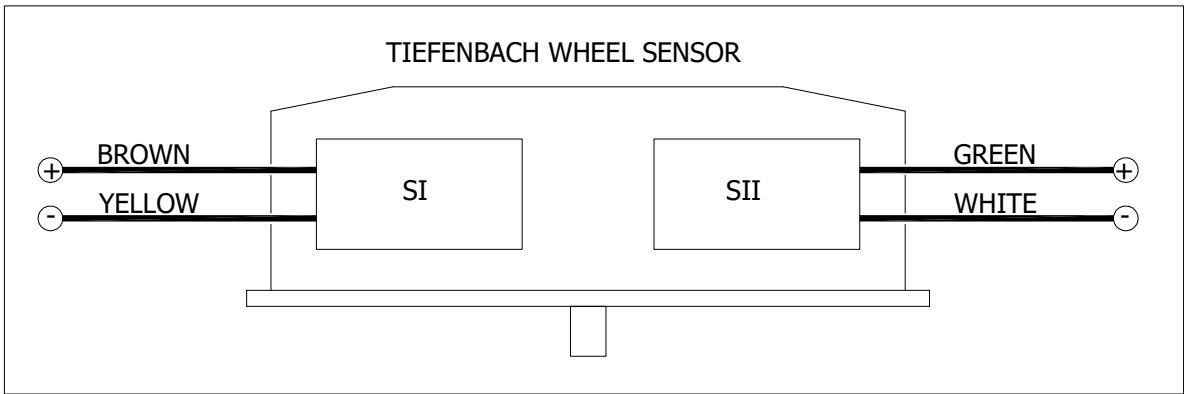
Each wheel detector pair has a four-conductor cable attached. You should label the individual cables as the A-Pair or the C-Pair before pulling them through any conduit. Route and terminate the cables to the 2600-600 Surge Suppressor Assembly located inside the bungalow. There are four UTB surge arresters (labeled TO1 – TO4).



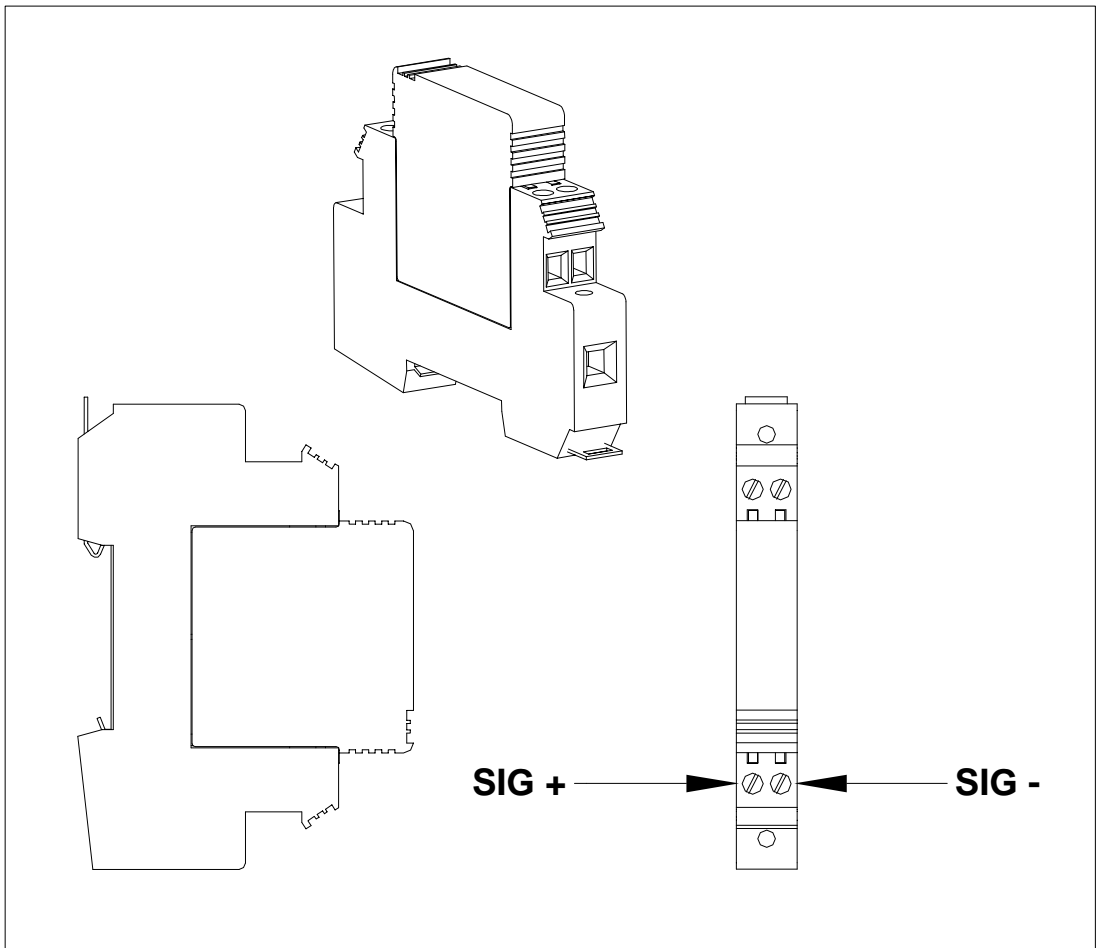
The 2600-600 Surge Panel provides terminations for the zero-speed wheel detectors. One UTB is provided for each wheel detector. Examine the labels on the side of the Tiefenbach double-wheel detector to determine which sensing element within the wheel detector will be designated as TO1. The order of the elements may be reversed, depending upon which rail the wheel detector is mounted.

Sensing Element SI and SII	Connections
If sensing element SI is to become TO1	Connect the Brown/Yellow pair to the designated UTB. Brown connects to the + terminal, and Yellow connects to the – terminal.
If sensing element SII is to become TO1	Connect the Green/White pair to the designated UTB. Green connects to the + terminal, and White connects to the – terminal.
If sensing element SI is to become TO2	Connect the Brown/Yellow pair to the designated UTB. Brown connects to the + terminal, and Yellow connects to the – terminal.
If sensing element SII is to become TO2	Connect the Green/White pair to the designated UTB. Green connects to the + terminal, and White connects to the – terminal.

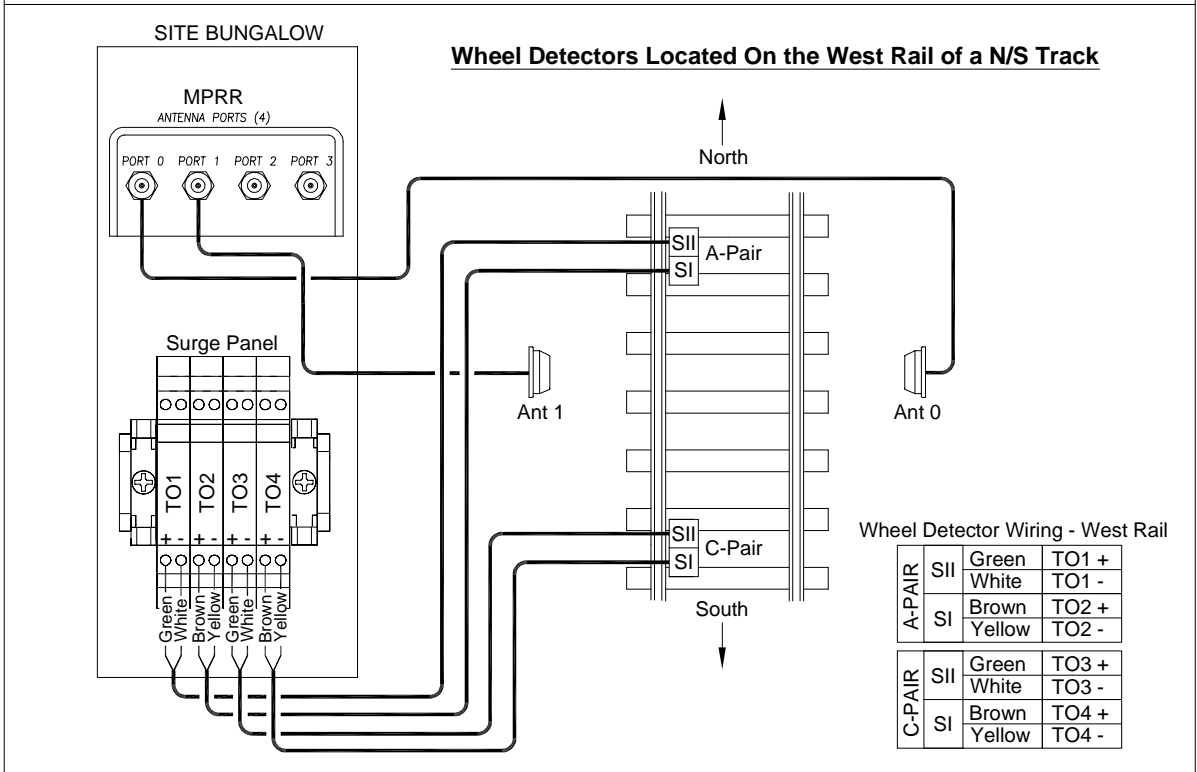
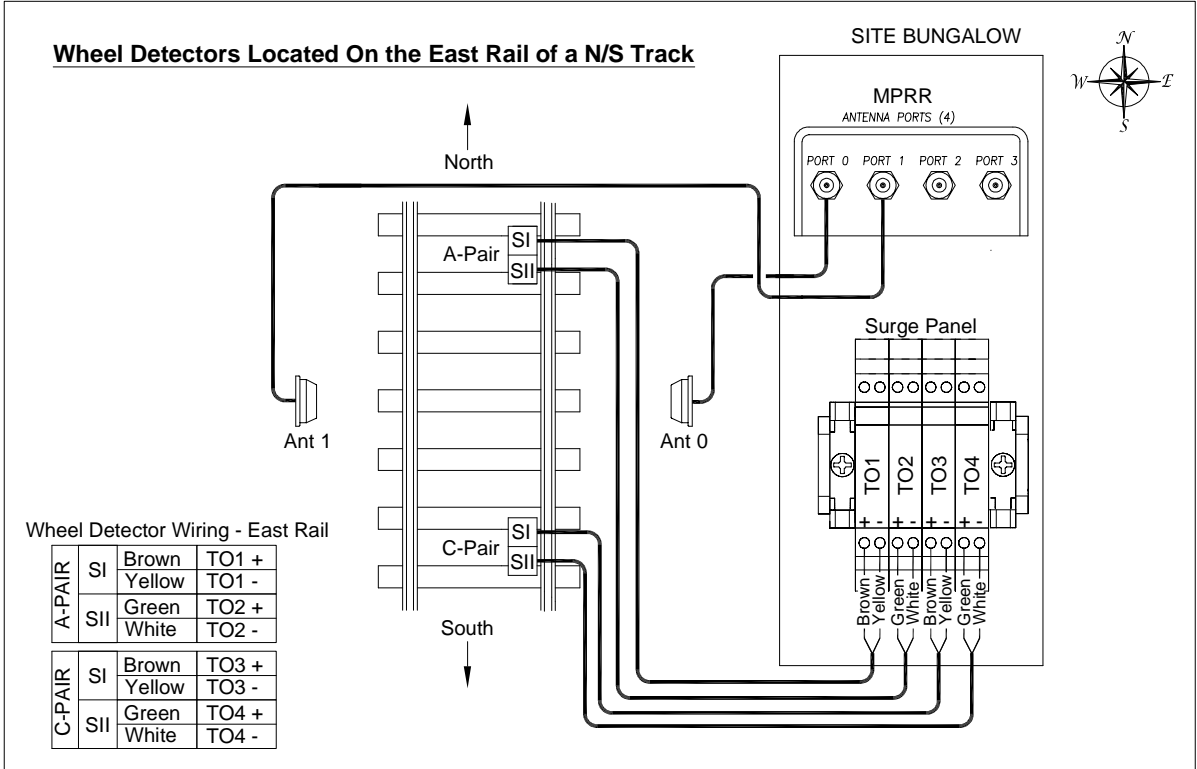
Follow the same logic to determine the connections for the C-Pair and TO3 – TO4.

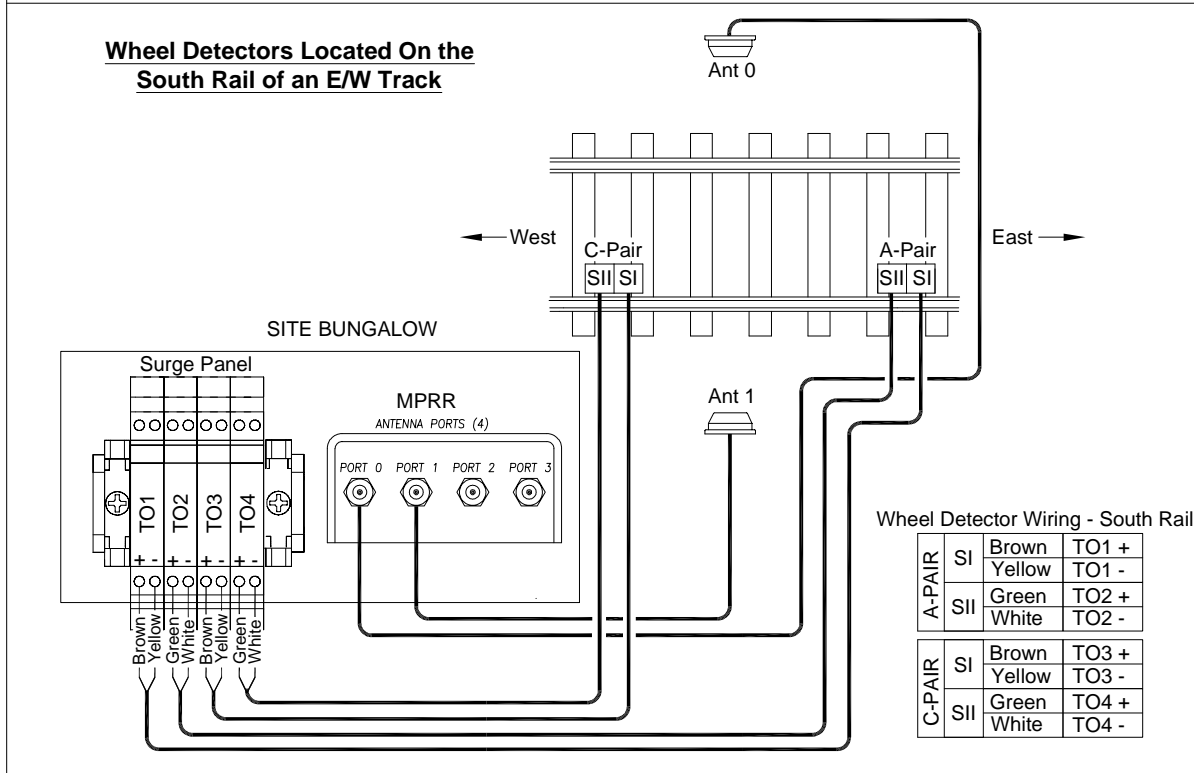
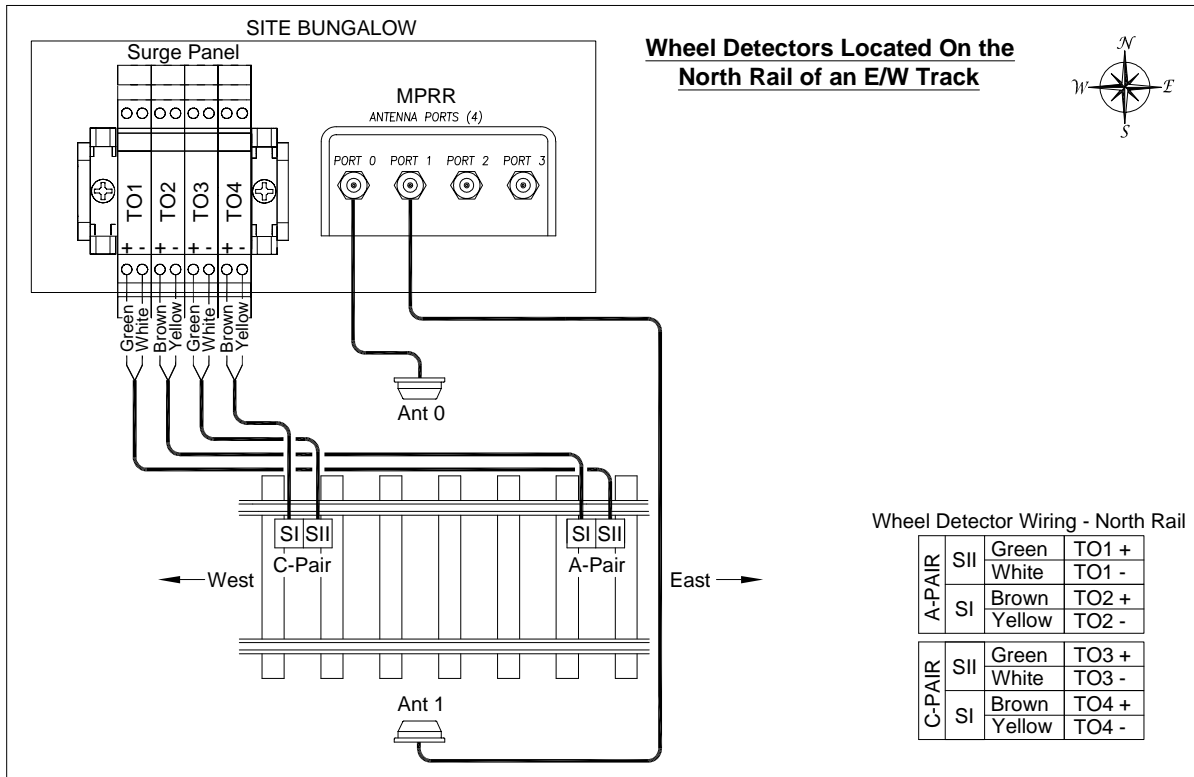


- Attach the SIG+ (signal positive) wire of wheel detector TO1 to the bottom left of the first (leftmost) DIN-mounted UTB. Attach the SIG- (signal negative) wire of wheel detector TO1 to the bottom right of the first UTB.
- Attach the SIG+ wire of wheel detector TO2 to the bottom left of the second DIN-mounted UTB. Attach the SIG- wire of wheel detector TO2 to the bottom right of the second UTB.
- Attach the wires of wheel detectors TO3 and TO4 in a like manner.



UTB Views





3.2.3 Tiefenbach Wheel Detector Calibration

Each Tiefenbach double-wheel detector consists of two sensing elements. These elements have adjustments that allow them to be balanced with each other for proper sensitivity after installation and are used to compensate for any abnormalities caused by the installation process and compensate for minor electrical differences within the wheel detector.

Proper sensitivity calibration is critical to the operation of the wheel detector and the 2600-020 AEI Controller. Incorrect sensitivity adjustment can manifest itself as system faults in several ways:

- **Missed wheels:** If the sensitivity is set too coarsely, a new wheel with a shallow flange can pass undetected. The 2600-020 Controller has advanced algorithms that can compensate for a missed input from one element of the wheel detector when a straight-through move is in process.
- **Loss of consist definition:** If the sensitivity is set too finely, it is possible for both elements of the wheel detector to activate simultaneously. If this happens, the 2600-020 Controller will lose some of its ability to recognize that a wheel has transitioned through the wheel detector. If this condition exists when consists are in the process of stopping and reversing, the consist definition will be lost.

Sensitivity Adjustment Feature of the Tiefenbach Double-Wheel Detector

To enable the calibration of sensitivity in the wheel detector:

1. Unscrew the two knurled nuts on the bottom side of the wheel detector to expose the sensitivity adjustment screws.
2. Retrieve the brass adjustment tool that came packaged with your wheel detector.
3. Screw the adjustment tool onto one of the adjustment screws, and lightly tighten.
4. Push the adjustment tool upward to unlock the protection mechanism.
5. Turn the setting tool to calibrate sensitivity.
6. Remove the adjustment tool and replace the knurled nuts when complete.

These steps apply to all tools and fixtures designed for Tiefenbach double-wheel detector adjustment. Depending on the tools available, calibration can be accomplished as a simple gross calibration (to get you in the ballpark), or the settings can be finely balanced (for long-term service).

Fine-Tuned Wheel Detector Calibration

This procedure requires that you have on hand a 2600-800 Wheel Detector Gauge, a 2600-180 MRDI Transmitter Unit, and a 2600-190 Receiver Unit. If these tools are not available at your site, proceed to Step 7 and perform simple gross calibration.

The 2600-800 provides a fixed, stable target over the wheel detector sensor body that is perfectly parallel to the railhead. The 2600-180/190 units provide a portable, wireless status display that is viewable from the rail. Used together, they make wheel detector calibration a simple, one-person operation.

1. With the Model 2600-020 AEI Controller powered up but inactive, verify that the front panel LEDs for TO1 –TO4 are not illuminated.
2. If the 2600-180/190 MRDI Transmitter & Receiver Units are to be used, follow these steps:
 - a. Using the supplied cable, connect the 2600-180 Transmitter Unit to the 2600-020 AEI Controller (RJ50 connector on the left-side panel labeled “CALIBRATION”).
 - b. Position the transmitter unit outside the metal bungalow, preferably in line-of-sight of wheel detectors.
 - c. Power on the 2600-190 Receiver Unit. The “LINK” LED lights when units have established pairing. Once linked, the receiver unit display indicates the current status of each wheel detector. If “LINK” cannot be established, call STC for help.

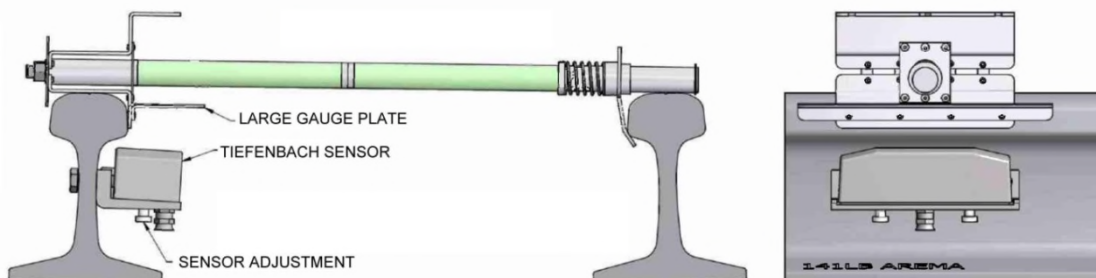


2600-180 Xmit Unit



2600-190 Rec Unit

3. Locate and place the 2600-800 Wheel Detector Gauge across rails such that the large-gauge plate is positioned directly over the “A-Pair” Tiefenbach wheel detector. Make sure the gauge is properly seated on the railhead (see illustration on the following page).



4. At the bottom of the wheel detector, unscrew the knurled protective plastic nuts off of the adjustment screws. Locate the brass adjustment tool that came packaged with your Tiefenbach wheel detector. Screw on the adjustment tool and tighten it without pushing the adjustment screw out of its adjustment protector. **Force should not be used to turn the adjustment screw; otherwise, the adjustment protection may be damaged.** Push the adjustment tool upwards to unlock the protection mechanism.
5. Calibration should begin with detectors in the inactive state (LED indicators located on the 2600-190 should be off). If necessary, deactivate the detector by reducing sensitivity (turn the adjustment screw to the left). Each element of the dual detector should be set to the “activation threshold” with the target (large-gauge plate) in place. Begin with TO1, which is the northernmost or easternmost detector. Slowly turn the adjustment screw to the right until the detector just activates (the corresponding LED indicator on 2600-190 lights). Next, set the TO2 detector to “activation threshold” in a like manner.

Wheel Detectors are now calibrated.

NOTE: An active TO1 signal corresponds with the topmost LED on the 2600-190 Receiver Unit (labeled TO5). TO2 corresponds with the second LED from the top (TO6), and so on.

Remove the adjustment tool, replace the knurled nut, and lightly tighten it. For the second dual-wheel detector (“C-Pair”), relocate the 2600-800 Wheel Detector Gauge and repeat the calibration process on the TO3 and TO4 detectors. TO4 is the southernmost or westernmost detector.

6. When calibration is complete, remove and store the 2600-800 gauge.

Proceed to Section 3.3: AEI Antennas.

Simple Gross Calibration

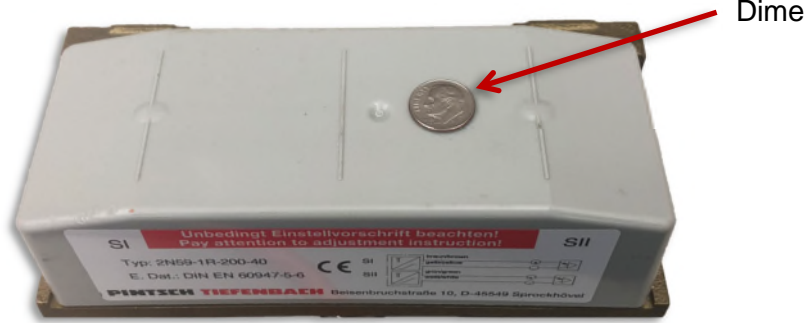
Gross calibration should be performed *only* if a 2600-800 wheel detector Gauge is not available at your site. This process can be accomplished with minimal tools.

NOTE: This is a rough calibration and may require further “tweaking.” The accuracy of this procedure relies on the detector body being perfectly parallel with the railhead.

1. Each element of the double-wheel detector should be calibrated to the “activation threshold” with an appropriate target in place. During simple gross calibration, a dime serves as a target.

It is important that the dime be placed directly over each sensing element, centered between the parallel lines molded into the wheel detector shell, and centered between the longitudinal edges of the wheel detector (as shown in the illustration below).

Tiefenbach Double-Wheel Detector



2. Position a dime over TO1 (northernmost or easternmost element of the “A-Pair”).
3. Unscrew the knurled nut on the bottom side of the wheel detector to expose the sensitivity adjustment screw. Locate the brass adjustment tool that was packaged with your wheel detector. Screw the adjustment tool onto the adjustment screws and lightly tighten. Push the adjustment tool upward to unlock the protection mechanism.
4. Calibration should begin with the detector in an inactive state (LED indicator located on 2600-020 AEI Controller Status Panel should be off). If necessary, deactivate the detector by reducing its sensitivity (turn the adjustment screw to the left). Slowly turn the adjustment screw to the right until the detector just activates (corresponding LED indicator on Status Panel lights). For this type of adjustment, it is beneficial to have a helper who can observe the LED activity in the bungalow.
5. Remove the adjustment tool, screw on the knurled nut, and lightly tighten it.
6. Next, move the dime over the TO2 detector and set to “activation threshold” in like manner.

Wheel Detectors are now calibrated.

7. For the second dual-wheel detector (“C-Pair”), relocate the dime and repeat the calibration process on the TO3 and TO4 detectors. TO4 is the southernmost or westernmost detector.

Gross calibration is complete.

Simple Gross Calibration should provide a ballpark setting for detector sensitivity. **It is essential that both elements in a double-wheel detector be balanced for the vehicle breakout algorithms to operate properly.** If consist corruption occurs after train passage, a train detail report can be used to determine which detector needs adjustment.

3.2.4 Frauscher Wheel Detector Installation

If you have Tiefenbach wheel detectors, skip ahead to Section 3.3.

The Frauscher RSR110 Wheel Detector Assembly is a rail-mounted device that generates precision wheel timing signals for the SmartScan AEI System. The combination of inductive operating principles and the robust design of the RSR110 dual-element sensor guarantees high reliability, even when subjected to extreme mechanical, electromagnetic, climatic, and environmental working conditions.

The standard 2600-020 AEI System configuration uses two Frauscher RSR110 wheel detectors to form a “truck trap.” The RSR110 wheel detectors are mounted on the inside gauge of the rail 9’ 6” apart. For sites with straight pull-through-only movements, a single RSR110 configuration can be used. A Wheel Signal Converter (WSC) must be used for each RSR110 to provide the interface circuitry to the AEI Controller.

1. Mount Frauscher wheel detectors to the rail. See Figure 1 for a typical site layout. See Figure 2 for an exploded view of the clamp assembly. See Figure 3 for alignment dimensions and torque specifications.

NOTE: An instructional video is available for the Frauscher Rail Claw SK140 on Frauscher’s YouTube channel. See the link below:

<https://www.youtube.com/watch?v=nvBmkeuhp40>



Frauscher RSR110 Wheel Detector

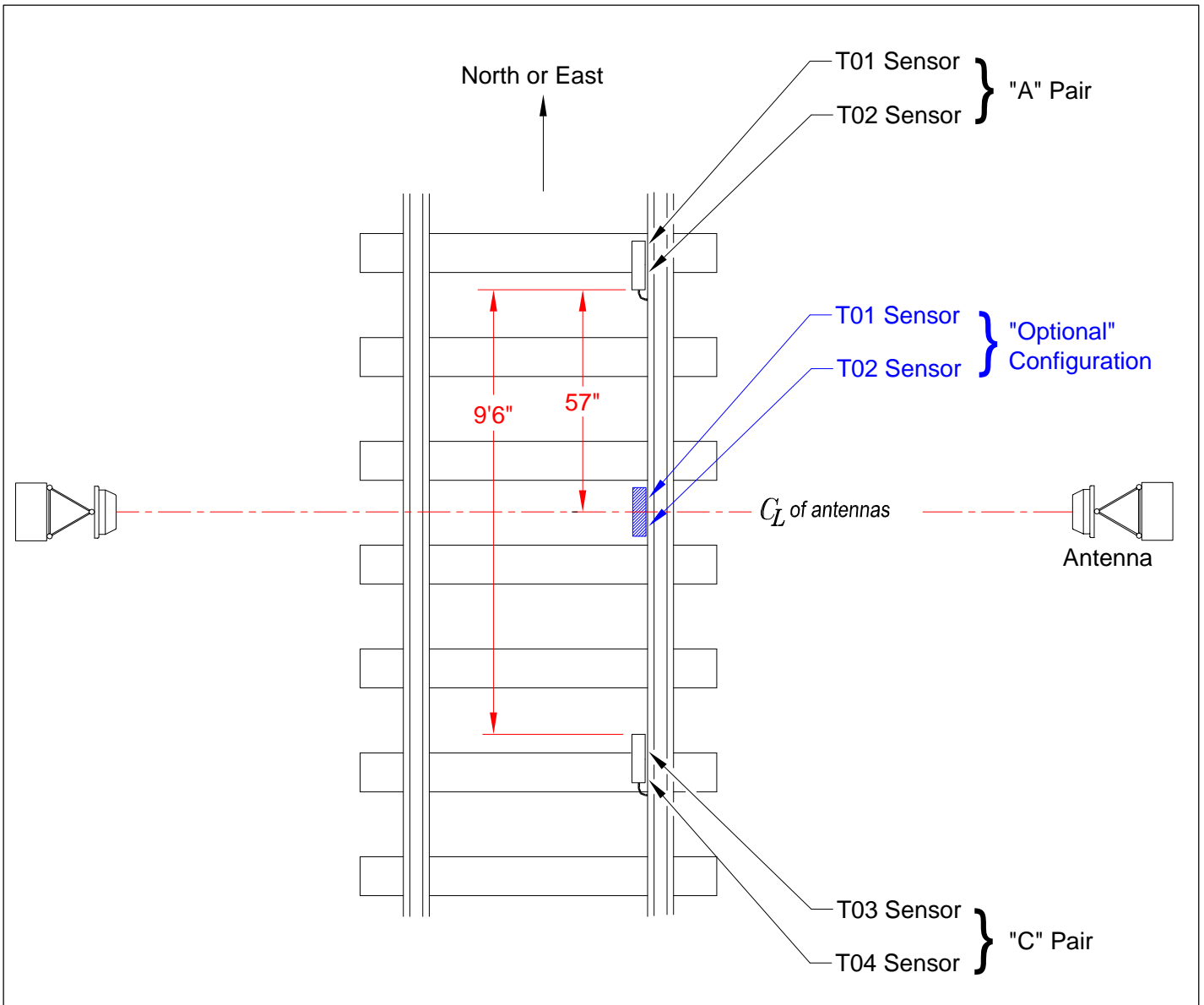


Figure 1: Typical Track Layout

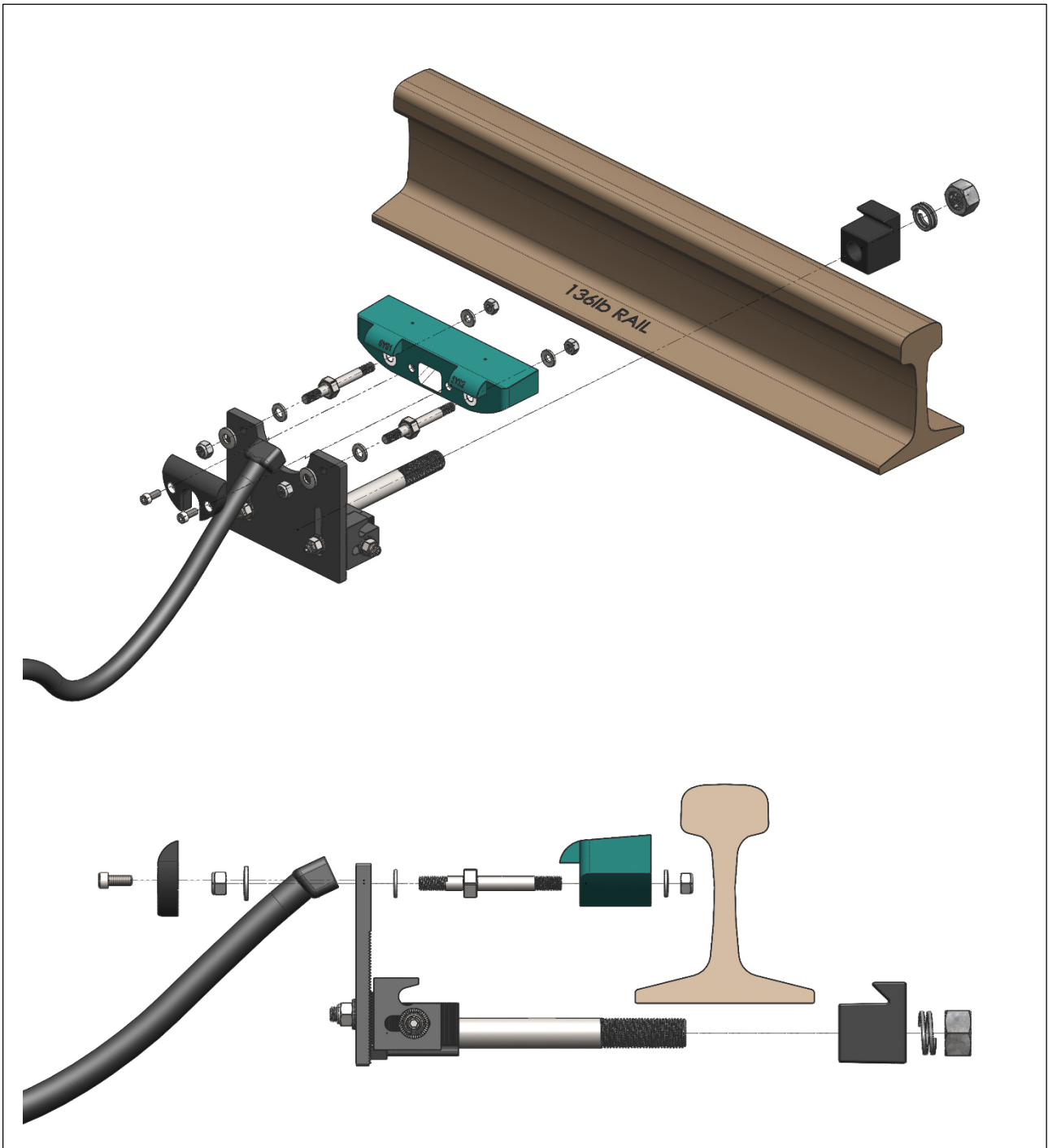


Figure 2: Frauscher Assembly Exploded Views

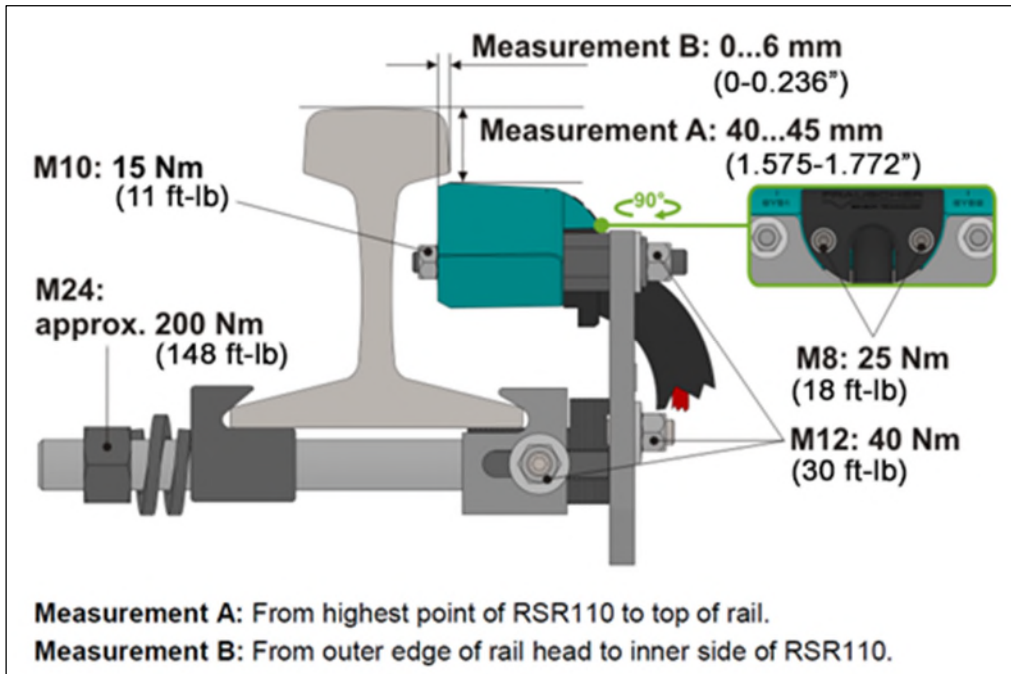


Figure 3: Frauscher Alignment



Figure 4: Frauscher Wire Color Code

- Route the RSR110 wheel detector cables into the system enclosure. Wall mount the Frauscher Signal Convert Kit and terminate wiring per Figure 5 (for 2600-547) or Figure 6 for (2600-548).

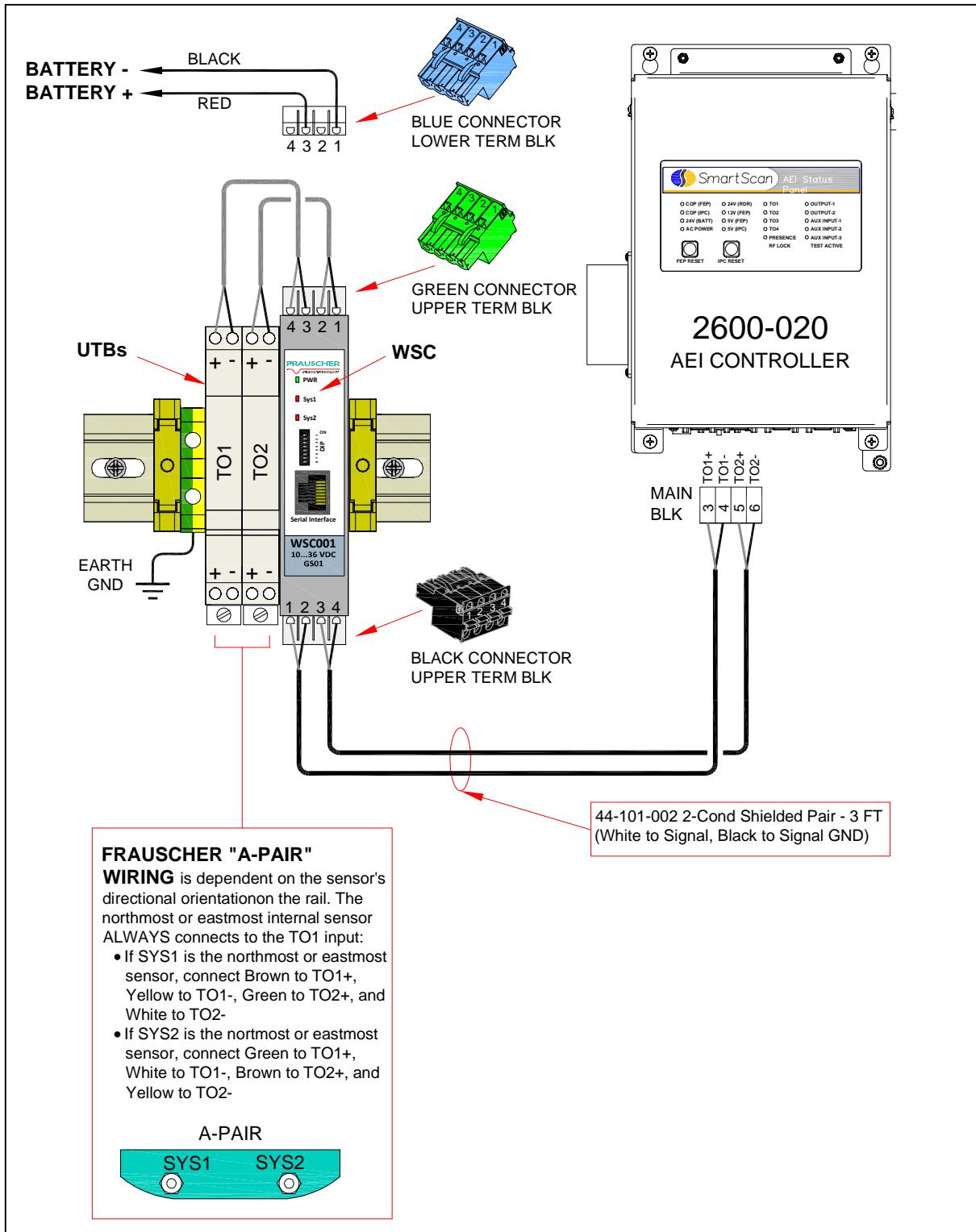


Figure 5: Frauscher Wiring to 2600-020 (Optional Configuration – Single Wheel Detector)
 (See **Appendix A** to view larger drawing.)

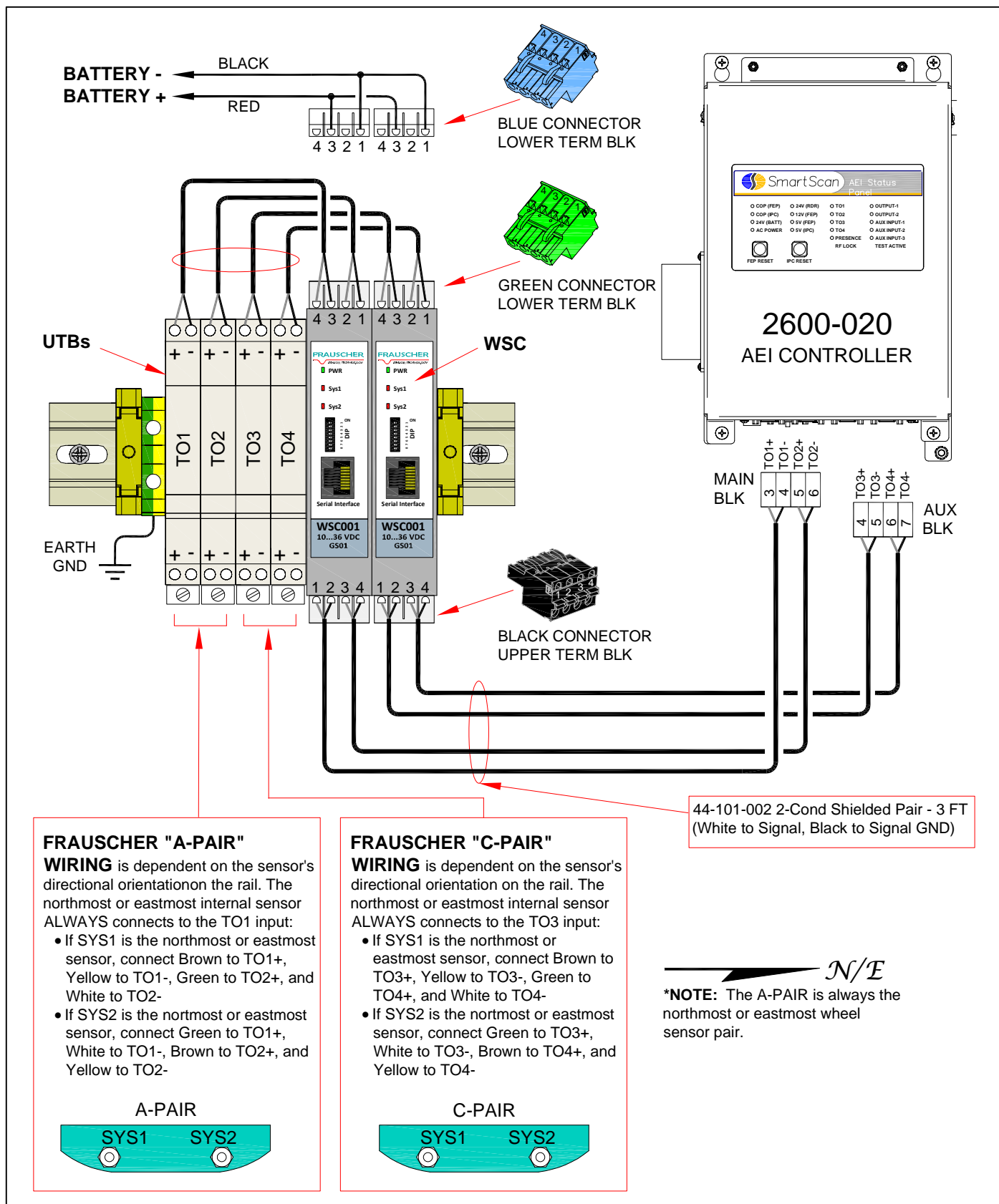


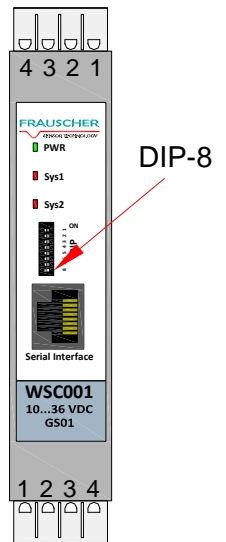
Figure 6: Frauscher Wiring to 2600-020 (Standard Configuration)

(See **Appendix A** to view larger drawing.)

3. Calibrate wheel detectors. Perform the Automatic Adjustment function for each RSR110 wheel detector. This function nulls out any influence of the rail and mounting hardware located in the area of the sensor. Run the Automatic Adjustment process after installation and after making any physical changes to wheel detector alignment. Tie plates, track spikes, rail anchors, rail clips – and similar hardware – used in the area under the sensor do not interfere with the operation. Run the Auto Adjustment function after removing or adding metal hardware in the vicinity of the wheel detector.

Complete the following steps:

- a) Connect wheel detectors to the WSC by following the wiring diagram on the previous page.
 - b) Apply power to the system.
 - c) Confirm that the wheel detectors are mounted correctly and are ready for use.
 - d) Locate the DIP switches on the WSC and move DIP switch number 8 to the ON position for between two and six seconds.
 - e) Return DIP switch number 8 to the OFF position. As a result, the Sys1 and Sys2 LEDs should light up, indicating that the Automatic Adjustment function has started.
 - The WSC adjusts both wheel detectors simultaneously, requiring up to forty seconds.
 - The Sys1 and Sys2 LEDs turn off when the session finishes, indicating successful calibration.
 - A blinking Sys LED after the calibration process means that the associated wheel detector(s) did not successfully adjust.
- If both wheel detectors indicate Success, calibration is complete.



Additional Information: Calibration is successful when the voltage from the yellow sensor wire, as measured to system ground, is approximately 1.65 VDC (+/- 2%) and the white sensor wire, as measured to system ground, is approximately 1.65 VDC (+/- 2%). Measure the voltage while each wheel detector is in an inactive state (no metal objects near the sensors). These manual measurements are necessary only if calibration fails.

4. Test occupancy detection. After successful automatic adjustment of both RSR110s, use the PB200 Test wheel detector Target, or a metal object, to test for occupancy.
 - a) Place the Target on TO1 (northmost or eastmost sensor). Align the notch on the bottom of the Target with the hash mark on the top of the RSR110. The TO1 LED on the 2600-020 front panel should light up.
 - b) Repeat the procedure with sensors TO2-TO4. The respective LEDs on the 2600-020 should light up.



***The Frauscher RSR110 Installation and setup is complete.**

3.2.5 Frauscher Wheel Detector Troubleshooting Guide

1. If the RSR110 wheel detector fails, check the WSC LED indicators.

WSC PWR LED Off

MEANING	POSSIBLE SOLUTIONS
No power supply	Apply power supply
Wrong polarity	Reverse polarity
Open fuse	Replace WSC

Sys1 / Sys2 LED Flashes Slowly

MEANING	POSSIBLE SOLUTIONS
WSC did not initiate Automatic Adjustment correctly	Run Automatic Adjustment Function
Wire break in the wheel detector circuit	Check wiring for open circuit
Overcurrent in the wheel detector circuit	Check wiring for short circuit

2. If the RSR110 wheel detector fails, check for the correct current flow.

The following information outlines a procedure to measure and verify current flow through a Frauscher wheel detector. By doing so, you may rule out a possible faulty wheel detector while troubleshooting a system.

There are approximately five milliamps of current flowing through the sensor when it is working correctly and it is not sensing a target. During this procedure, disconnect the yellow Sys1- sensor wire (or white Sys2- sensor wire) and connect a DC milliamp meter in series with the sensor wiring, thus providing a means to measure current flow through the sensor.

Tools Needed

- A digital Volt/Ohm meter (VOM) with a milliamps setting.
- Small bladed straight slot screwdriver approximately 1/8 inch wide.

Procedure:

Set the VOM to DC milliamps and connect in series with the yellow sensor wire as follows.

- a) Measure the voltage from the brown wire to the battery ground. A voltage reading of from 23 to 24 VDC indicates that the sensor is powered.
- b) Set the VOM to measure DC milliamperes as follows. Unplug the red meter lead from the voltage jack on your VOM and plug it into the milliamps jack on the VOM.
- c) Disconnect the Sys(X)- sensor wire from any connection between the sensor and the SmartScanNG² and connect the black VOM probe in its place under the terminal.
- d) Touch the red meter probe to the loose SYS- sensor wire that you removed from the terminal. You now have the VOM set for milliamps and connected in series with the yellow sensor wire.
- e) The meter should measure 5 mA, within a tolerance of +/- 2%.
- f) The current measurement should decrease from 5 mA (+/- 2%) as a metal object comes near the sensor. The TO1 or TO2 LED should indicate active as the current measurement drops.

If the current flow is not correct, try the following.

- Run the Automatic Adjustment function.
- Check for breaks in the sensor wiring.
- Rule out the possibility of a faulty surge suppressor.
- Replace the wheel detector.

3. If the RSR110 wheel detector will not successfully calibrate:

One possible cause is a reverse polarity condition. Verify that all wiring is properly terminated per Figure 5 or Figure 6. Correct wiring errors as necessary, and run the Automatic Adjustment function again.

Another possible cause is improper alignment. A wheel detector adjusted too close to the rail can prevent successful calibration. First, verify the accuracy of the horizontal and vertical adjustments as per Figure 3 and adjust as necessary. If the wheel detector will still not calibrate, try lowering the wheel detector's vertical height by one notch (0.100 inch) on the wheel detector bracket. Each adjustment detent in the wheel detector mounting bracket represents 0.100 inch. Be aware that the bracket may rise while tightening, so recheck your measurement before continuing.

If the wheel detector does not calibrate successfully after performing all the steps above, consult with a customer service technician at Southern Technologies Corporation 1-423-892-3029.

3.2.6 Frauscher Wheel Detector - Preventive Maintenance

Perform the following inspections during scheduled system maintenance:

- Visual and mechanical check.
- Check the wheel detector for excessive dirt build-up. Clean as necessary.
- Check the wheel detector for visual damage. Replace as necessary.
- Check the mounting bracket for a secure fit on the rail. Tighten hardware as necessary per required torque settings.
- Check the rubber conduit tube for damage. Check cable connection terminals for a secure fit.

3.3 AEI Antennas

Each SmartScan mainline and yard AEI system requires two antennas, designated **antenna-0** and **antenna-1**. The antennas are used in conjunction with the reader subsystem.

SmartScan supports three types of antennas:

- Sinclair SRL440 antennas, which are normally used on **yard systems**;
- Sinclair SRL470 antennas, which are sometimes used on **mainline systems**;
- Scala KPPA-900-120-11.5 Parapanel antennas, which are normally used on **mainline systems**.

3.3.1 Sinclair SRL440 Antennas

On **yard systems**, two 25-watt Sinclair SRL440 antennas are installed per track. The SRL440 is a directionally pointed, vertically-polarized panel antenna. It is housed in a compact white enclosure that is made from materials that do not interfere with the transmission and reception of radio waves and is suitable for pipe, tower, or wall mounting.

In reference to the track, antenna-0 is the northernmost or easternmost antenna. Antenna-1 is the southernmost or westernmost antenna.

Each SRL440 antenna is installed:

- with its face parallel to the rails;
- horizontally, with its N-type socket on the side, neither pointing up nor down;
- 11' to 14' from the center of the track;
- 4.0' above the top of the rails;
- centered between the wheel detectors;
- opposite each other.



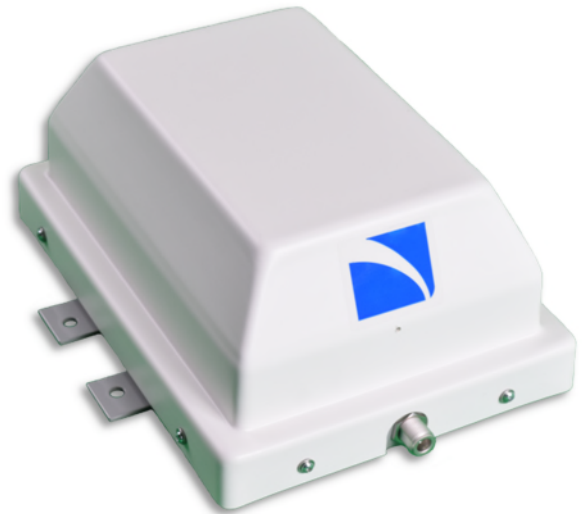
3.3.2 Sinclair SRL470 Antennas

On **mainline systems**, two 100-watt Sinclair SRL470 antennas (or two KPPA-900-120-11.5 Parapanel antennas) are installed per track. The SRL470 is a directionally pointed, horizontally-polarized panel antenna. It is housed in a compact white enclosure that is made from materials that do not interfere with the transmission and reception of radio waves. It is suitable for pipe, tower, or wall mounting.

In reference to the track, antenna-0 is the northernmost or easternmost antenna. Antenna-1 is the southernmost or westernmost antenna.

Each SRL470 antenna is installed:

- with its face parallel to the rails;
- with its N-type socket pointing down;
- 11' to 14' from the center of the track;
- 4.0' above the top of the rails;
- centered between the wheel detectors;
- opposite each other.



3.3.3 KPPA-900-120-11.5 Antennas

On **mainline systems**, two 50-watt KPPA-900-120-11.5 Parapanel antennas (or two Sinclair SRL470 antennas) are installed per track. The KPPA-900-120-11.5 is a directionally pointed, horizontally-polarized panel antenna. It has a gain of 11.5 dBi. It is housed in a compact white enclosure that is made from materials that do not interfere with the transmission and reception of radio waves. It is suitable for pipe or tower mounting.

In reference to the track, antenna-0 is the northernmost or easternmost antenna, and antenna-1 is the southernmost or westernmost antenna.

Each KPPA-900-120-11.5 antenna is installed:

- vertically, with its face parallel to the rails;
- 11' to 14' from the center of the track;
- center of antenna 4.0' above the top of the rails;
- centered between the wheel detectors;
- opposite each other.



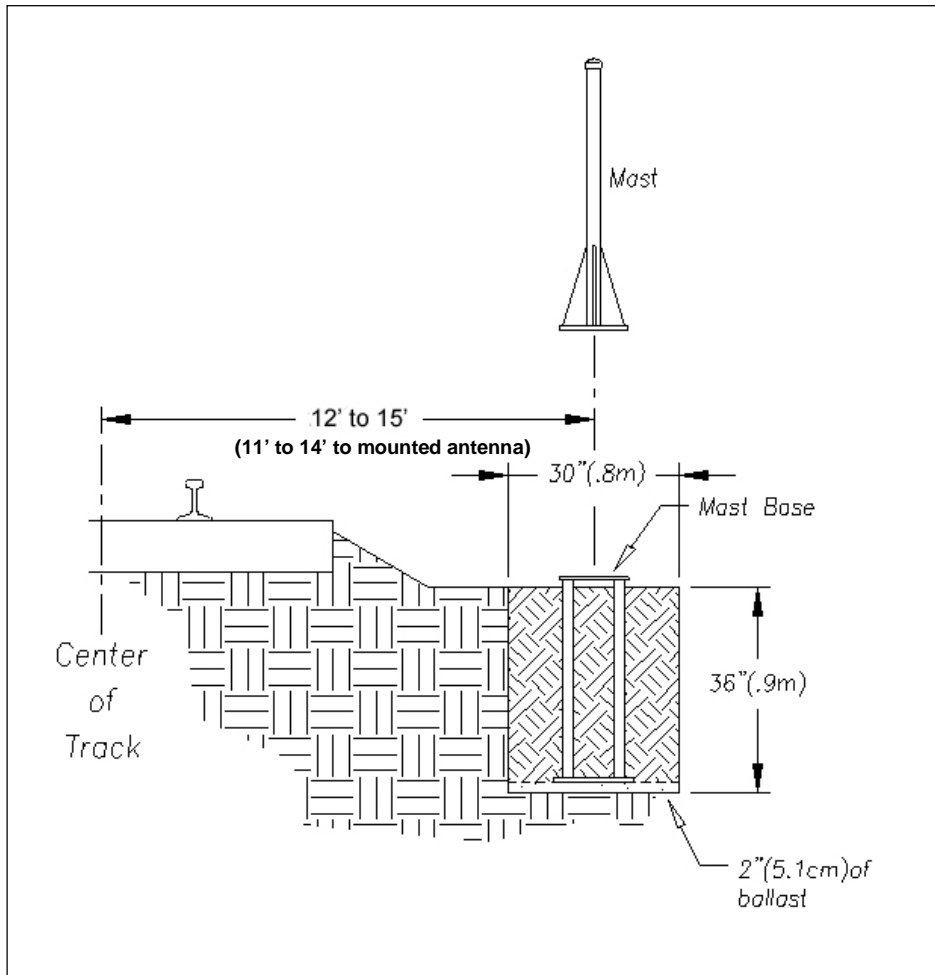
3.3.4 Locating AEI Antenna Masts

The antennas that read the rail vehicle AEI tags must be located as near as possible to the centerline between the two Tiefenbach wheel detectors. Where an existing site is being updated with the Model 2600 system, this can be accomplished by either relocating the existing wheel detector or by relocating the antennas.

To ready the two antenna masts:

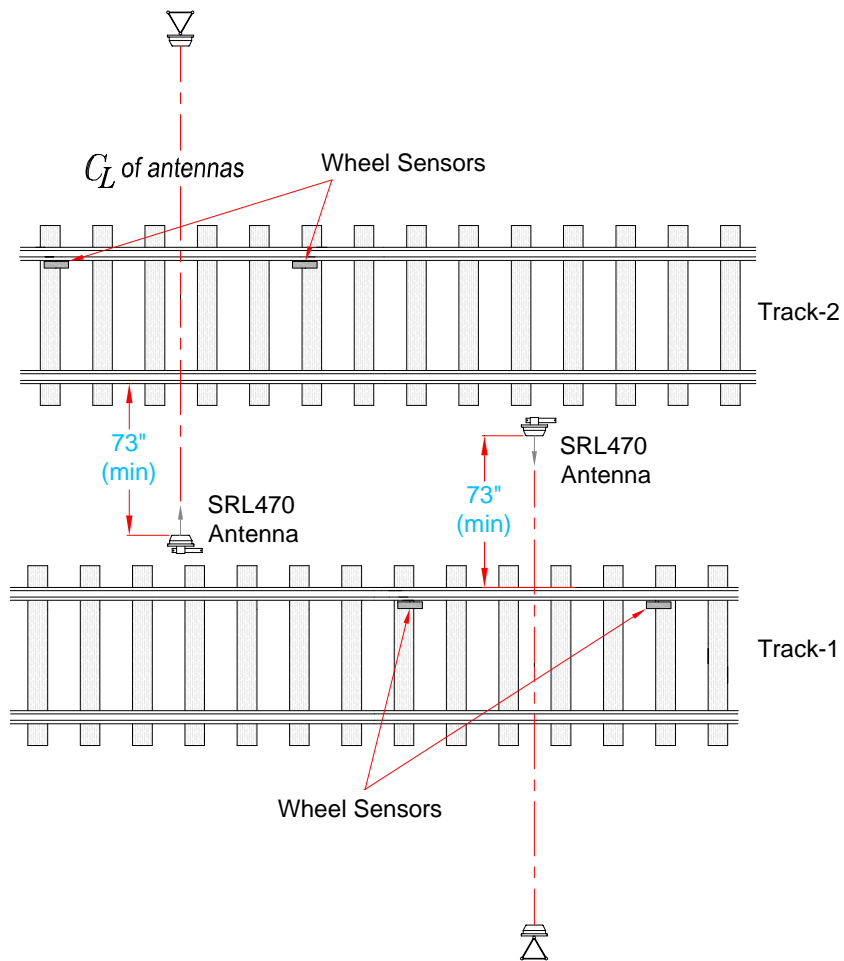
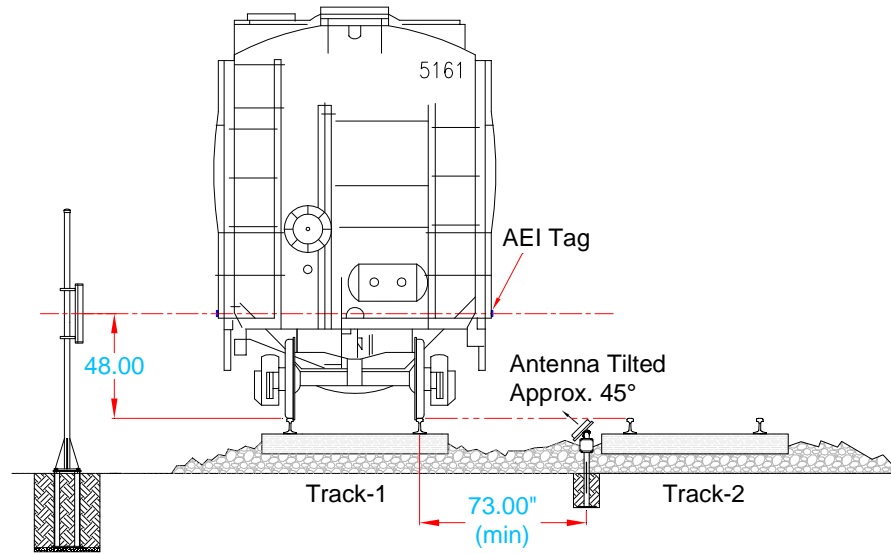
1. Using the dimensions provided below, dig two holes and add ballast.
2. Lower one metal mast base into each hole, rotating it until one edge of the base is parallel to the track. Install each base so that it is plumb and so that the front edge of its mounted antenna is 11' to 14' from the center of the track.
3. With the supplied hardware, attach one mast to each base.
4. Plumb each mast.
5. Ground each mast with an 8 ft driven ground rod.

When complete, each mast should be level, grounded, attached to a base, and placed directly opposite the other mast. The ground rod of each antenna mast is connected to the ground rod(s) of the bungalow with #6 Ga copper wire.



For low-mount antennas (between tracks):

1. Install the antenna mount as far back from the target rail as possible (73-inch minimum). Adjust vertically so the antenna will be at the maximum height allowed by clearance restrictions (typically no higher than the crown of the rail). See the figure below.
2. Adjust the antenna angle so that it is aimed directly at the AEI tag on the railcar.
3. Ground each mount with an 8 ft driven ground rod.



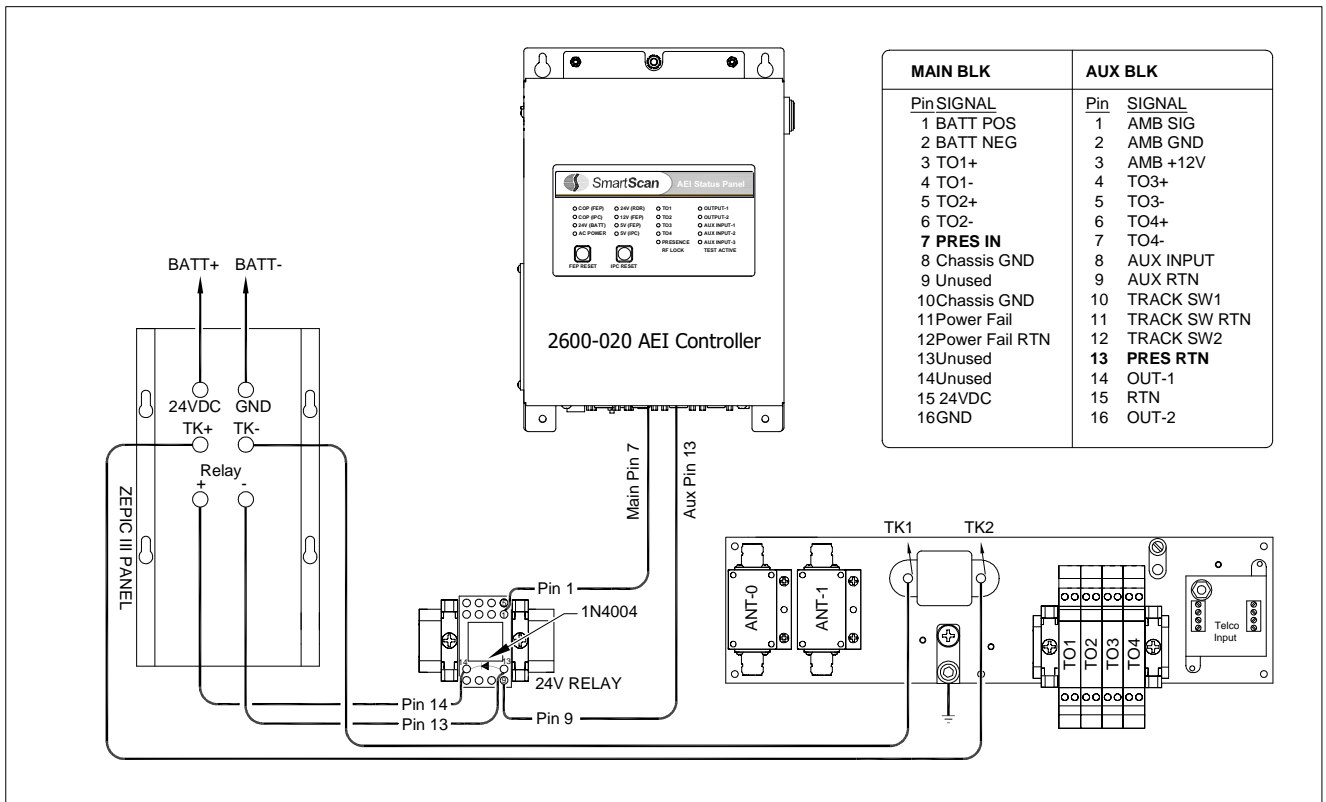
Low-Mount Antenna Placement

3.4 Presence Detectors

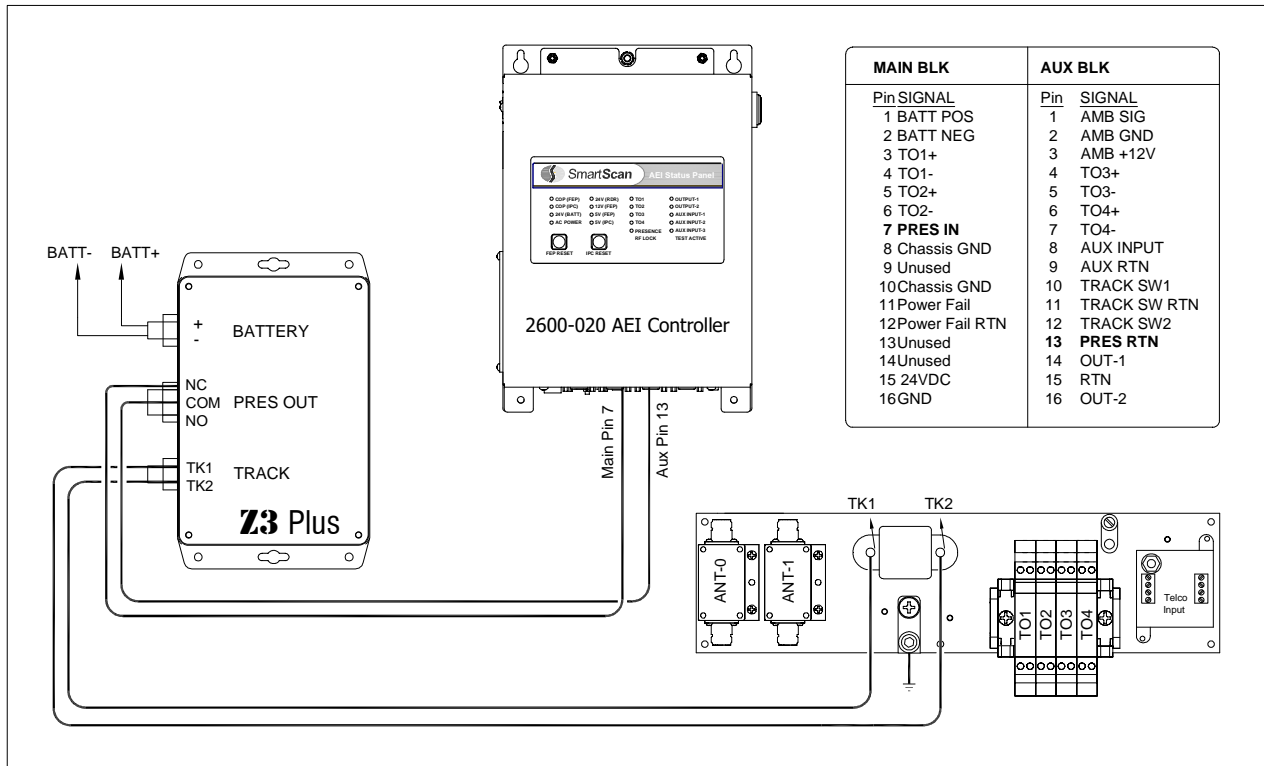
Presence detectors provide an active signal to the AEI Controller whenever a train is present at a site. When train presence is sensed, the controller activates the AEI reader and initiates the scanning process. Various presence subsystems can be used, but a normally closed, dry relay contact is required at the 2600-020 AEI Controller presence input.

3.4.1 Zukinut ZEPIC III and Z3 Plus

Most SmartScan mainline AEI systems use either the Zukinut ZEPIC III or the Z3 Plus audio overlay track circuit. The track circuit provides a sinusoidal output under all track load conditions minimizing possible harmonic interaction with other audio equipment on the track. The unit also provides a consistent activation point independent of the operating battery. Digital receiver circuitry provides for precise receiver operation. The unit is calibrated by simply dropping a shunt at the activation point and pushing the Cal button. Additionally, a non-vital loss of shunt timer is provided to optimize consistent performance further. A front panel LED has been provided to allow a visual indication of the ZEPIC relay drive.

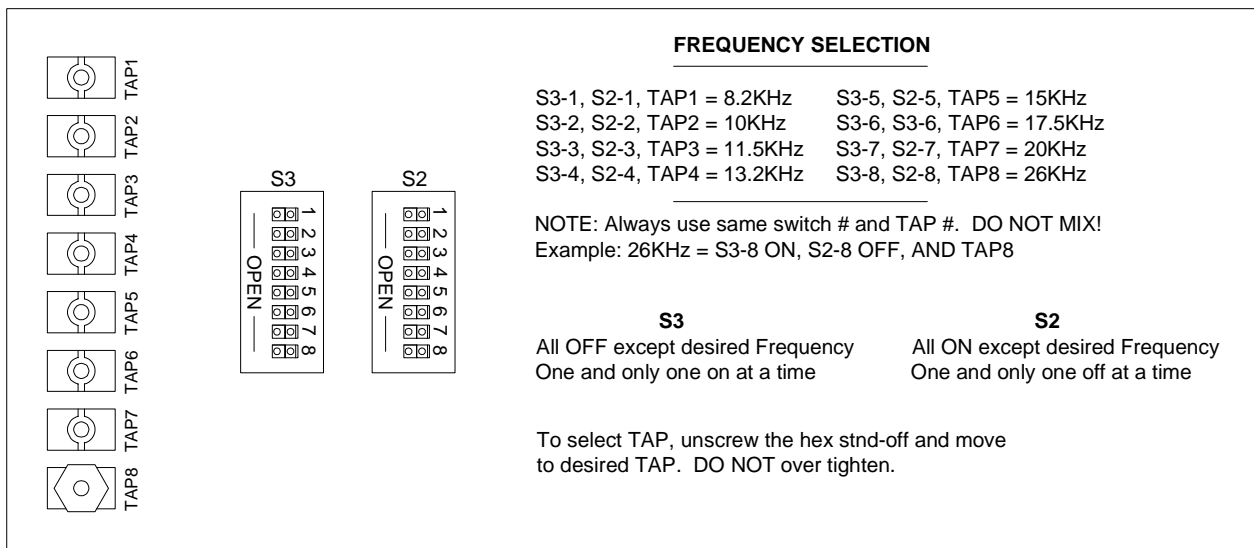


Zepic III Wiring Schematic



Z3 Plus Wiring Schematic

The **Z3** Plus is field configurable for the following track drive frequencies: 8.2KHz, 10KHz, 11.5KHz, 13.2KHz, 15KHz, 17.5KHz, 20KHz, and 26KHz. To change the track frequency - Remove the **Z3** cover, then configure DIP switches S3 & S2 and TAP to select the desired frequency (as detailed below).



Z3 Plus Frequency Options

At trackside, the track circuit is simply two wires attached to the rails, with one wire being attached to each rail. The wires are attached directly opposite each other, centered between the wheel detectors. For single Tiefenbach wheel detector sites, attach track circuit wires immediately adjacent to the wheel detector.

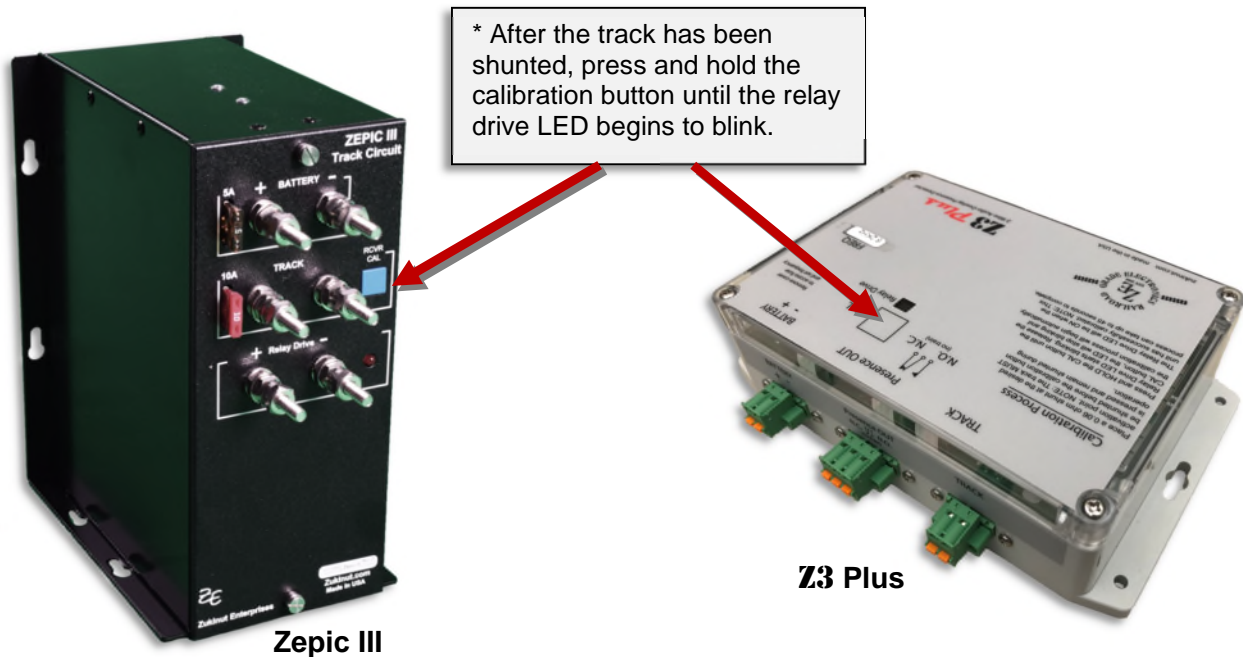
Connection to the rail is made in one of two ways:

- **Bonding** – Cadweld manufactures a complete line of bond welding systems that are commonly used in the rail industry. The recommended practice is to weld a short length of bond strand to the web of each rail. Cadweld can provide these items as pre-packaged kits, which include the bond strand (*a 3/16" diameter strand is recommended*) and the one-shot welding system. *Note: A reusable mold of the correct size, to be acquired by the distributor of your choice, is required.*
- **Drilling** – The alternative to “Cadwelding” is to drill a 3/8” hole in the web of each rail at the neutral axis and apply a bonding kit. The kit includes ready-made lengths of the bond strand with "chicken heads" attached. The "chicken heads" are tapered solid metal inserts that can be driven into the 3/8” holes to establish a permanent connection to the rail.

Once the rail attachment is made, extend the connection to the three-terminal arrester (TTA) located on the 2600-600 Surge Panel inside the bungalow. *Polarity is **not** important for this particular connection.* This is done by splicing a length of wire (9-AWG or larger) to each bond strand. The Okonite Company manufactures a twisted-pair cable (Okonite 113-12-3933) that is suitable for direct burial. The cable has two 6-AWG solid conductors and a very rugged insulation jacket. The cable should be attached to the bond strand using compression sleeves. Total wire resistance should not exceed 0.2 Ω .

Calibration of the ZEPIC III or Z3 Plus

1. From the center of one of the double-wheel detectors (wheel detector pairs), measure the shortest distance you want the track circuit to pick up the presence of a train.
2. The distance must be at least 50' (15.2 m) and no more than 150' (45.7 m).
3. At the point just measured, place a 0.06Ω shunt across both rails. *Shunt the track before pressing the calibration button.*
4. Press and HOLD the RCVR CAL button until the relay drive LED starts blinking. Release the RCVR CAL button, and the LED stops blinking. The ZEPIC III automatically begins the calibration process. *NOTE: The track shunt MUST remain in place during the calibration process.*



5. The relay drive picks up (LED on) when the unit has successfully calibrated. *This process can take up to 45 seconds to complete.*

Verification

1. Lift the shunt, and the relay drive should drop.
2. Move the shunt 20' farther out from the calibration point and verify the relay drive does not pick up.

*** IMPORTANT:** *To ensure an accurate activation point, always place the shunt BEFORE pressing the RCVR CAL button.*

If the ZEPIC cannot achieve calibration, it blinks the relay drive LED three (3) times in rapid succession, indicating a calibration error. The unit continuously repeats the calibration procedure (there is no need to press the blue RCVR CAL button), allowing you to troubleshoot the track circuit, wiring, and battery. Once the issue is corrected, repeat the calibration procedure outlined in steps 2 - 4.

Because the ZEPIC III is a two-wire system, it activates an equal distance on both sides of the track feed point.

3.4.2 Reno Loop Detector

This section details the operation of the loop detector. If your system does not use a presence loop, proceed to *Section 4.1*.

Application Note:

The Reno A & E single loop detector is NOT recommended for AEI location sites where rail traffic speeds exceed 40 mph (64 kph). For high-speed loop applications, skip ahead to the next section.

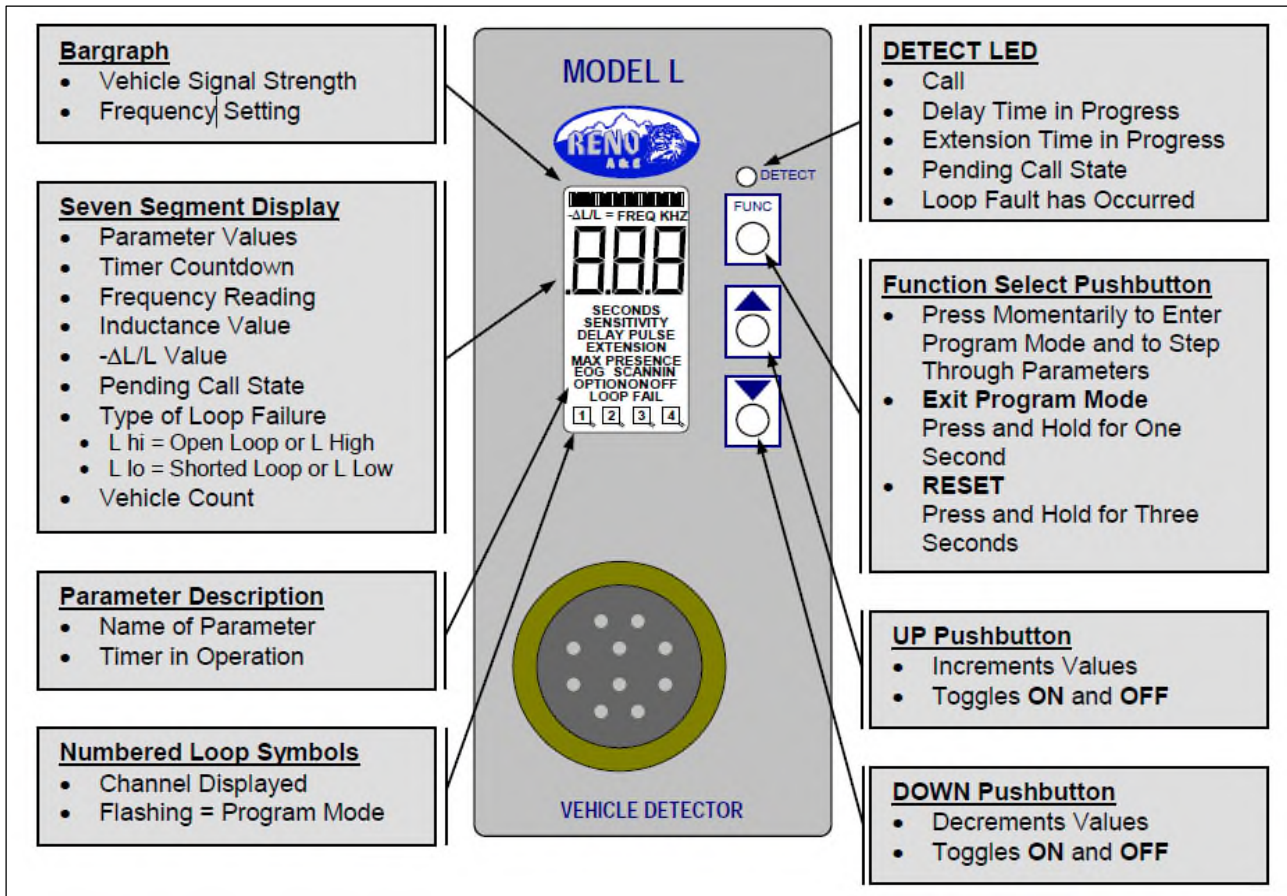


General Description

The Reno single-channel, shelf-mount-type, inductive loop vehicle detector incorporates a microcontroller that monitors and processes signals from the loop/lead-in circuit. When presence is detected, the processor actuates a normally open relay output.

An LCD, a LED, and three front-panel pushbuttons are used to display and program all detector functions. The illustration on the next page provides detailed descriptions of front-panel components.

Several diagnostic modes are available to aid technicians and service personnel in troubleshooting detection problems. All programmed settings are stored in non-volatile memory and can only be changed by programming new settings. Loss of power or a detector reset will not change any of the programmed settings.



Reno Loop Detector - Front Panel

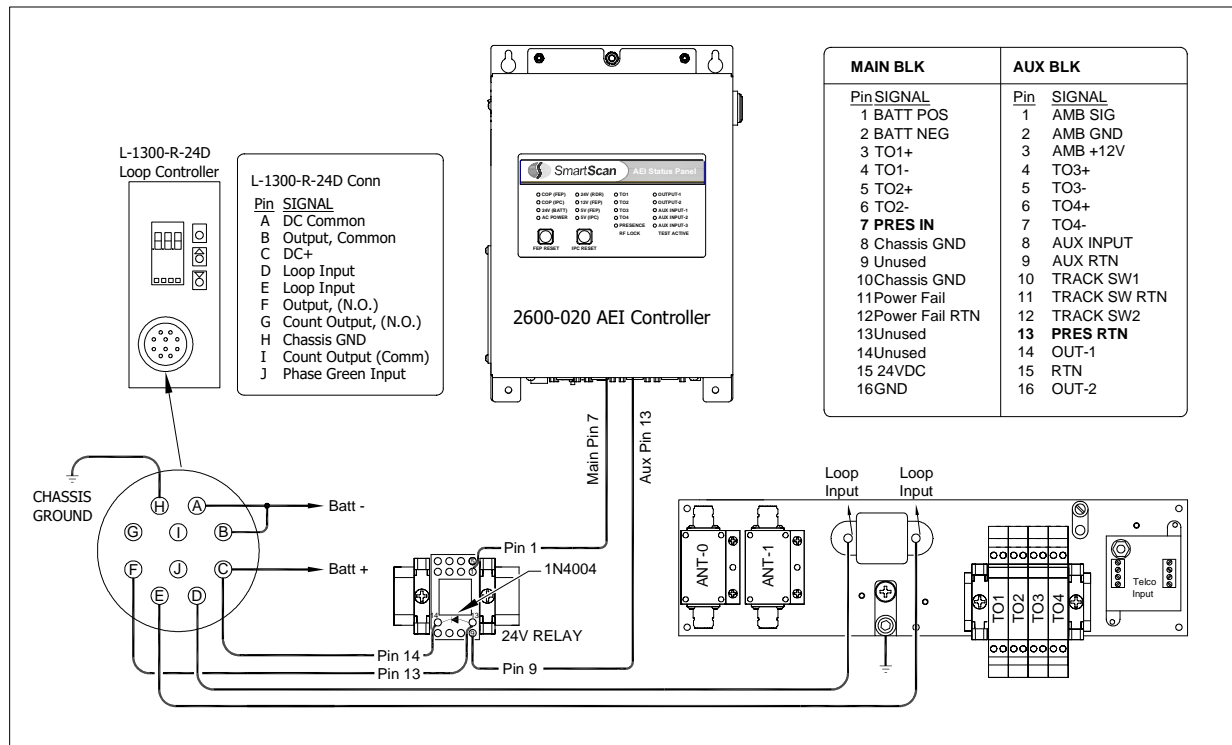
Installation

If your AEI system was purchased as a bungalow package:

You should find the loop detector already mounted and pre-wired. Proceed to *Inductive Loop Installation*.

If you are providing your own loop detector or upgrading an existing system:

Mount the loop detector on a wall or shelf in a suitable location near the 2600-600 Surge Panel. The 10-pin circular connector on the front panel provides all the necessary power and I/O connections. This connector needs to be hard-wired and terminated to appropriate points in the AEI system, as detailed below.



Reno Loop Detector Wiring Schematic

Inductive Loop Installation

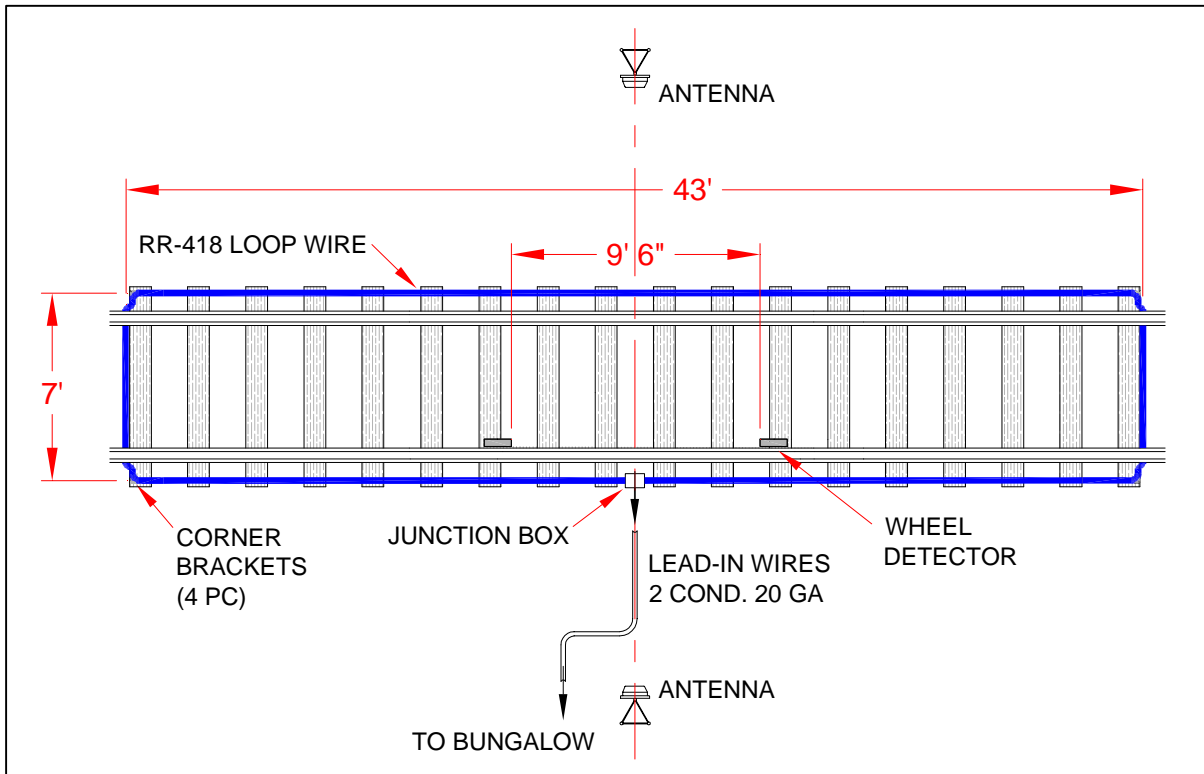
This section describes the installation of the loop/lead-in circuit used with the Reno Inductive Loop Vehicle Detector.

Loop Installation Procedure

Step 1

Locate the Loop Installation Kit consisting of:

- 100 ft RR-418 cable (18-AWG 4 Conductor)
- 100 ft Olympic 2881 Cable (2 Conductor 20 Ga)
- Corner Brackets (4 per track)
- PC-1 Circuit Board
- Loop Junction Housing and Backed Mastic Sheet
- Galvanized Strap – 2-Hole (20 per track)
- 8 Penny Galvanized Nails (50 per track)

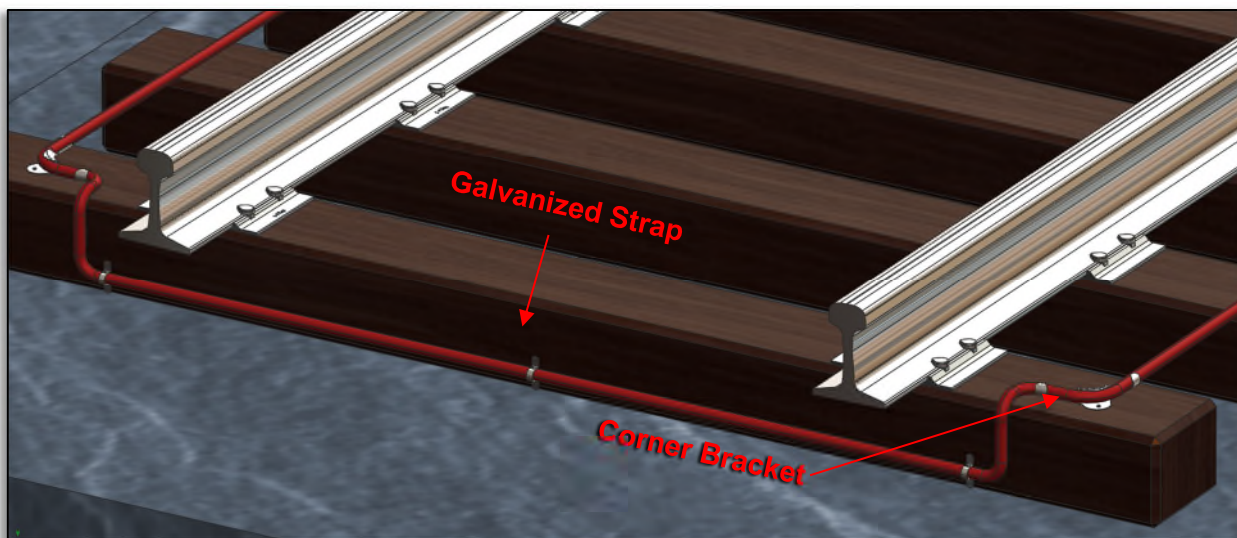


Typical Loop Installation – Track View

Step 2

Lay the RR-418 cable out onto the track to form a 43' x 7' (approx.) rectangular loop. Route the cable underneath the rail. The loop should be centered in relation to the AEI antennas. The cable ends should be routed to the junction box near the center of the loop on the near side of the track.

NOTE: The “standard” 43' x 7' loop size is not recommended for train speeds exceeding 40 mph (64kph).



Step 3

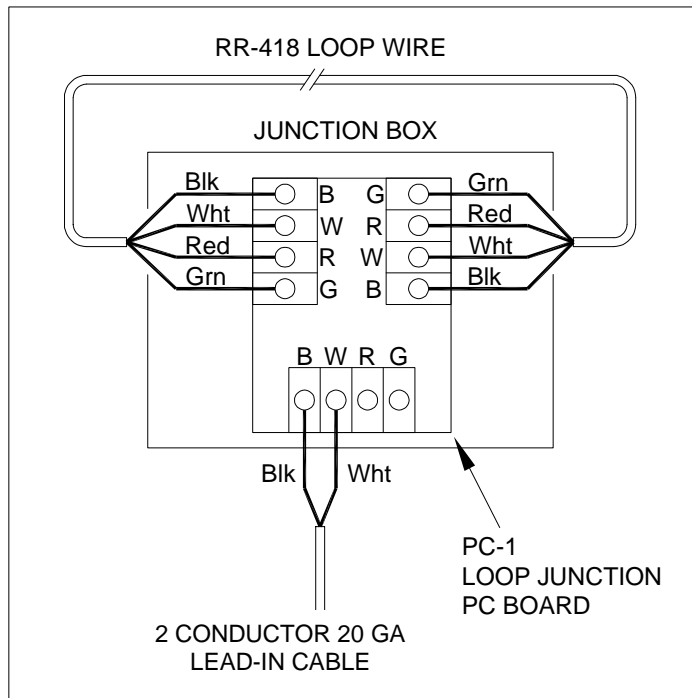
As depicted on the previous page, secure the loop cable to rail ties using the corner brackets and galvanized straps provided. The cable should be fastened to the lower side of the tie as it passes under the rail.

Step 4

Pull a separate run of 2 Conductor 20 Ga cable through a protective conduit and into the bungalow. Coil the excess cable on the floor. This cable will form the lead-in circuit. Leave enough slack at trackside to reach the loop junction.

Step 5

Splice the loop wires and lead-in wires to PC-1, as depicted below. The Loop Junction PC-1 is a small PC board used to simplify the terminations of an inductive loop and the corresponding “home run” cable. The board terminals are labeled B (black), W (white), R (red), and G (green), and the terminals are color-coded.

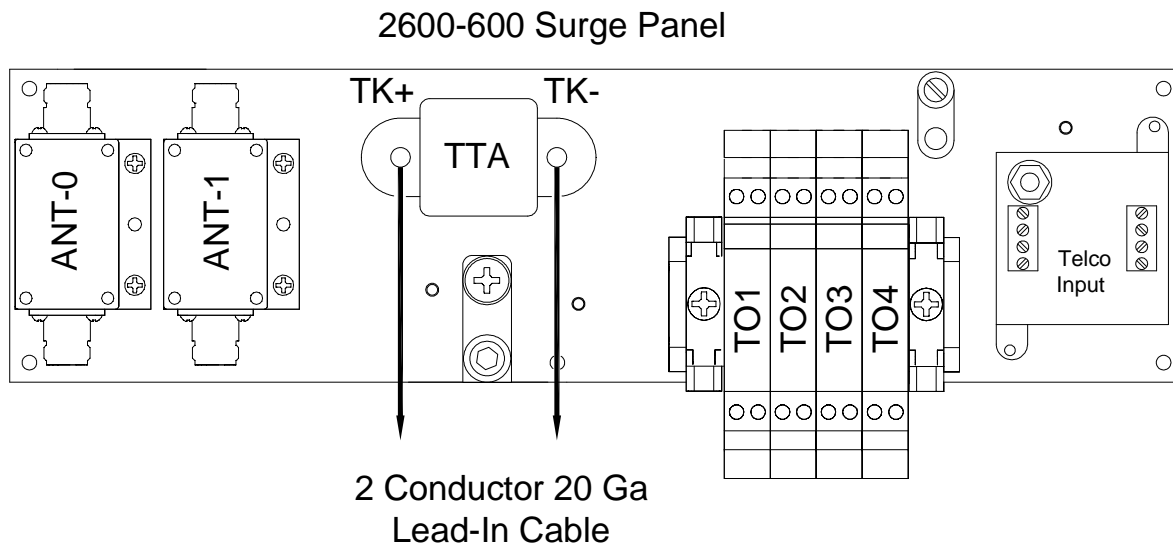


Step 6

Seal the board with the backed mastic sheet. Press the mastic sheet securely to seal each wire and the board. Place the sealed Loop Junction PC-1 into the loop junction housing, and then seal the housing securely.

Step 7

Inside the system bungalow, locate the RR-418 lead-in cable and route it to the 2600-600 Surge Panel. Cut to length. Terminate the black and white conductors to the Three-Terminal-Arrester as depicted below.



Setup/Programming

All operating parameters can be adjusted from the front panel via three normally open pushbutton switches. The detector continues to operate normally while it is in Program mode. Pressing the FUNC button enters the Program mode. The FUNC button has an auto-repeat function, which allows quick navigation to the desired parameter. The FUNC button only moves forward through all of the parameters; there is no way to move backward through the parameters. Pressing and holding either the ▲(UP) or ▼(DOWN) button will cause the value of the displayed parameter to change rapidly until the button is released. Pressing and holding the FUNC button for one second will exit the Program mode and return to the Normal mode.

There are eight (8) selectable loop frequency settings (normally in the range of 20 to 100 kHz). To eliminate cross-talk, be certain the loop frequency is set to a different channel from other loops in the vicinity. **The default setting is Channel 2.**

There are nine (9) selectable sensitivity levels, plus Continuous-Call and Channel-Off. The sensitivity levels are designed so that a one-level increase doubles the sensitivity and a one-level decrease halves the sensitivity. A unique bar graph displayed on the LCD makes it easy to quickly set sensitivity at the ideal level for any loop/lead-in network configuration. **STC recommends an initial sensitivity setting of Level-2.**

True Presence mode can be set by pressing the ▲(UP) or ▼(DOWN) push-button. When Option 13 is OFF (13.0), the detector operates in the normal Presence mode. When this option is set to 13.1, True Presence is ON. When Option 13 is ON, True Presence will hold the call for as long as the vehicle is present and power is not removed or the detector reset. **Option 13.1 is the recommended setting.**

Factory Reset

If the detector is not new from the factory, it is advisable to reset the detector back to the factory defaults prior to programming so that all unit settings are in a known state. First, press and hold all three pushbutton switches simultaneously for five seconds. When all three buttons are depressed, the display will start counting down from five (5). When the countdown reaches zero (0), releasing the pushbuttons will reload the factory defaults and reset the detector.

In most applications, the only parameters that need to be modified are **Sensitivity** and **True Presence Mode**. All other parameters should be set to factory default settings. The table below lists all programmable parameters and their recommended settings.

Recommended Settings

Function	Setting
Frequency	2
Sensitivity	2
Presence / Pulse Mode	Presence
Call Delay Time	0
Call Extension Time	0
Max Presence Time	OFF
End-of-Green (EOG)	OFF
Option 1 - Loop Inductance (L) Display	OFF
Option 2 - Loop Inductance Change (- Δ L/L) Display	OFF
Option 3 - Call Extension Control	OFF
Option 4 - Noise Filter Disable	OFF
Option 5 - Phase Green Loop Compensation	OFF
Option 11 - Audible Detect Signal	OFF
Option 12 - Detector Disconnect	OFF
Option 13 - True Presence Mode	13.1
Option 14 - Sensitivity Boost	OFF

The table below lists the pinout of the 10-pin circular connector on the loop detector front panel.

Connector Pinout

Pin	Function
A	DC Common
B	Output, Common
C	DC +
D	Loop Input
E	Loop Input
F	Output, Relay Normally Open (N.O.)
G	Count Output, Relay Normally Open (N.O.)
H	Chassis Ground
I	Count Output, Relay Common
J	Phase Green Input (Delay Override)

NOTE: Relay contact states are shown with power applied, loop(s) connected, and no vehicle(s) present.

Setting Sensitivity Using the Bar Graph

The bar graph is a graphical representation of the relative change of inductance as seen by the detector. It automatically takes into account the detector's sensitivity setting, loop geometry, configuration, lead-in length, and other factors. The first bar segment represents the minimum inductance change (set by the sensitivity level) necessary for the detector to output a call. Each additional segment to the right represents the inductance change in excess of the next sensitivity threshold. Usually, the larger the vehicle, the greater the $-\Delta L/L$ (loop inductance change); thus, more and more segments are displayed. The bar graph can be used as a precise indicator to select the proper sensitivity level. If the bar graph displays five or six segments for a vehicle in the loop, the sensitivity has been set to the proper range.



Troubleshooting Loop Failures

If the total inductance of the loop input network goes out of the range specified for the detector or rapidly changes by more than $\pm 25\%$, the detector enters the Fail-Safe mode, and "LOOP FAIL" displays on the LCD. The type of loop failure is displayed as L lo (for -25% change or shorted loop conditions) or L hi (for $+25\%$ change or open-loop conditions). This continues as long as the loop fault exists. Fail-Safe mode generates a continuous call in True Presence mode and Pulse mode. At the time of a loop failure, the detect LED begins to flash at a rate of three flashes per second. The LED continues this display pattern until the detector is manually reset or powered down.

If the loop self-heals, the LOOP FAIL message on the LCD extinguishes, and the detector resumes operation in a normal manner; however, the LED continues the three-flashes-per-second display pattern, thus providing an alert that a prior Loop Fail condition has occurred. Each loop failure is counted and accumulated into the Loop Fail Memory. The total number of loop failures for the detector is written into the Loop Fail Memory (since the last power interruption or manual reset) and can be seen by stepping through the functions in Program mode to the LOOP FAIL display.

The LOOP FAIL display messages are a useful tool for identifying intermittent loop problems. If the count is extremely high for the period observed, the problem is very likely a loose connection (check for loose connections at the terminal strip and bad splices in the field). The Loop Fail Count is reset when power is removed from the detector. This prevents the Loop Failure Count from moving to another loop if the detector is moved to a new location.

To view the Loop Fail Count, repeatedly press the FUNC button until the LOOP FAIL display is shown. The Loop Fail Count display is after the OPTION displays. Pressing the ▲ (UP) or ▼ (DOWN) button while the Loop Fail Count is displayed resets the count to zero.

NOTE: The Loop Fail Count is not reset when the detector's sensitivity or frequency is changed. The prior Loop Fail indication continues until the Loop Fail Count is reset to zero.

3.4.3 Dual-Loop Application for HighSpeed Traffic

This section details the installation of a dual-loop presence subsystem. This application is recommended for AEI location sites that cannot use a track circuit but have rail traffic speeds exceeding 40 mph (64 kph). If your system does not use a dual-loop presence, proceed to *Section 4.1*.

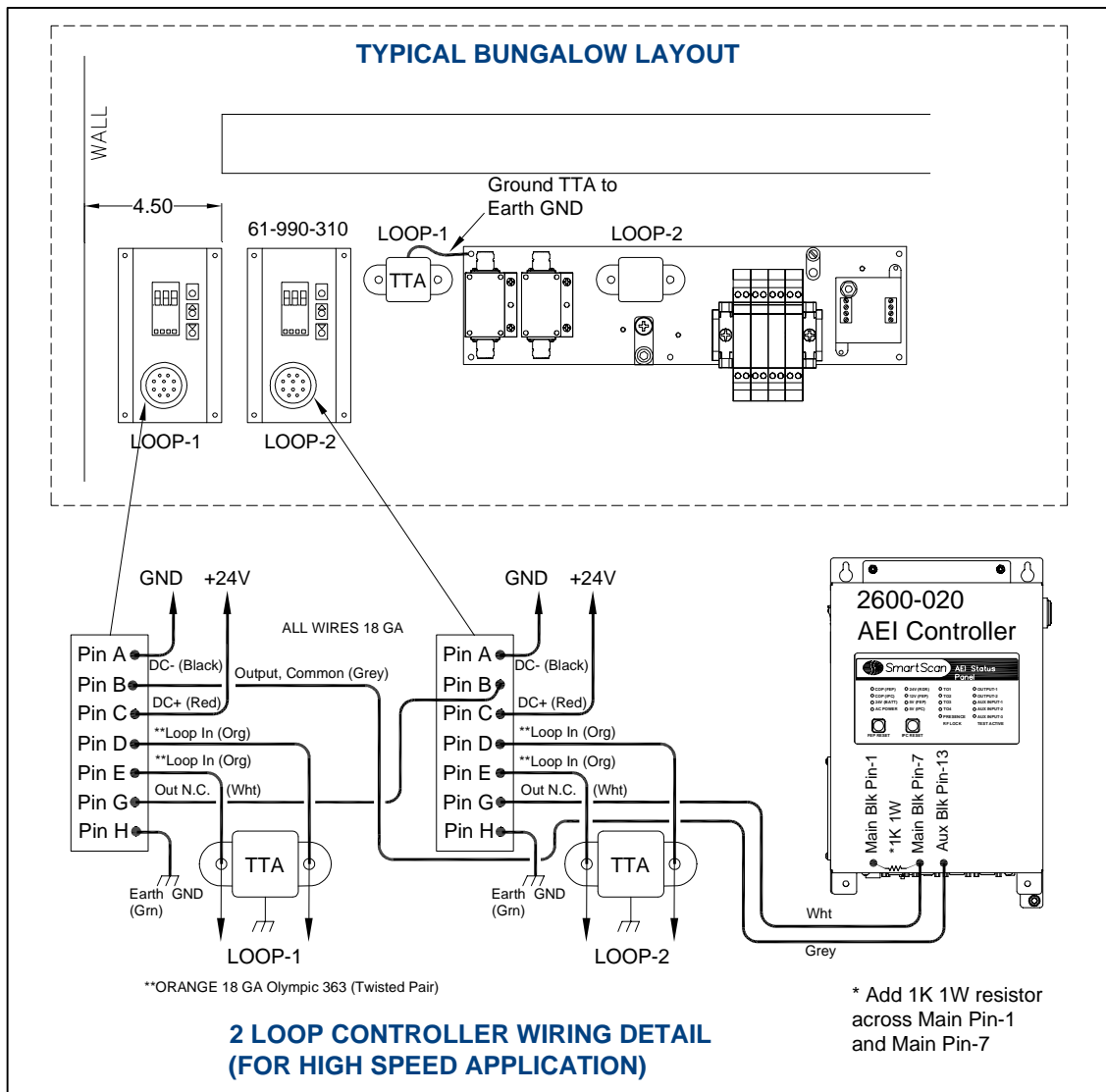
Loop Detector Installation

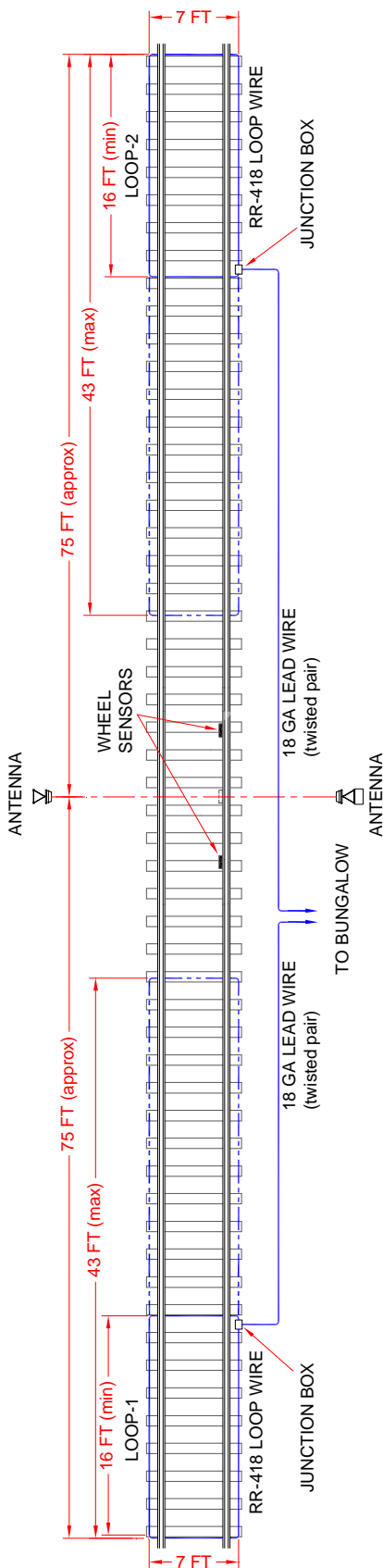
If your AEI system was purchased as a bungalow package:

You should find two loop detectors already mounted and pre-wired. Proceed to *Inductive Loop Installation*.

If you are providing your own loop detectors or upgrading an existing system:

Mount the Reno loop detector(s) on a wall or shelf in a suitable location near the 2600-600 Surge Panel. The 10-pin circular connector on the front panel provides all the necessary power and I/O connections. This connector needs to be hard-wired and terminated to appropriate points in the AEI system, as detailed below.





Typical Dual Loop Installation – Track View
(see Appendix A for a larger view)

Inductive Loop Installation

This section describes the installation of the loop/lead-in circuit used with the Inductive Loop Vehicle Detector.

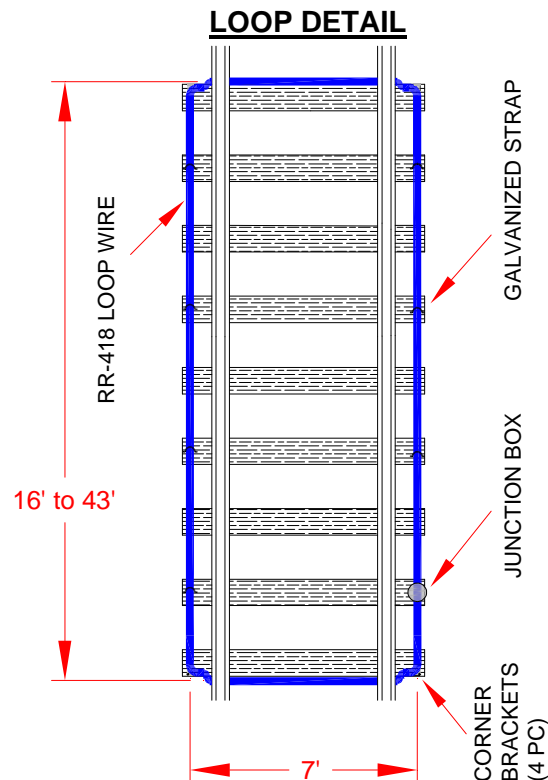
Step 1

Locate the two Loop Installation Kits, each consisting of:

- 100 ft RR-418 cable (18-AWG 4 Conductor)
- 100 ft Olympic 2881 Cable (2 Conductor 20 Ga)
- Corner Brackets (4 per track)
- PC-1 Circuit Board
- Loop Junction Housing and Backed Mastic Sheet
- Galvanized Strap – 2-Hole (20 per track)
- 8 Penny Galvanized Nails (50 per track)

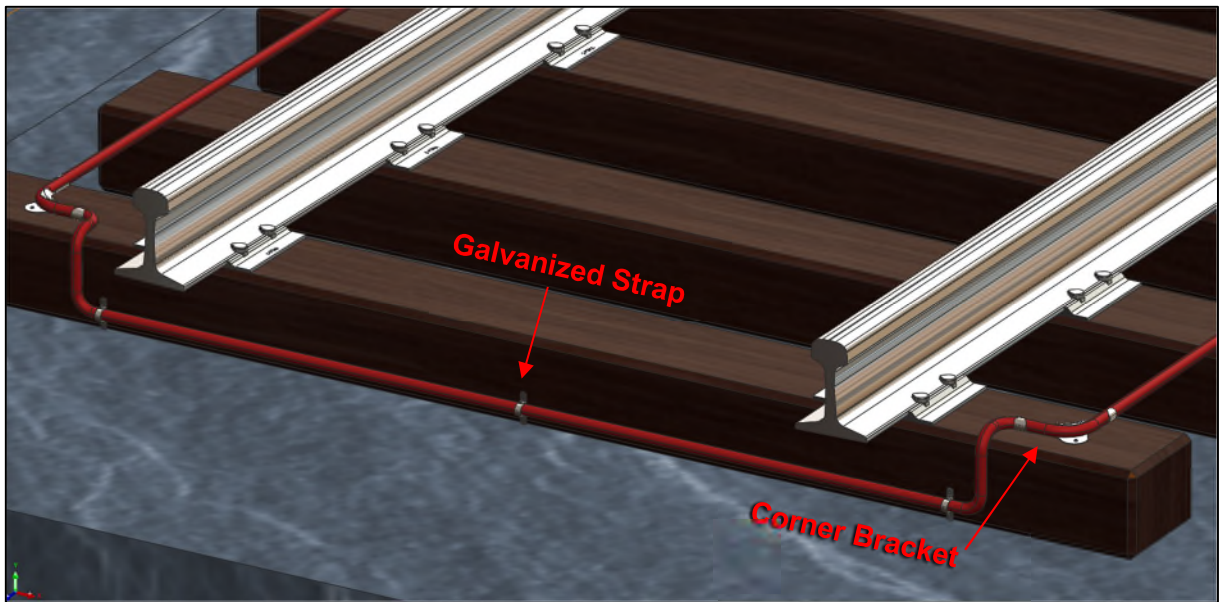
Step 2

Lay the RR-418 cable out onto the track to form two rectangular loops. As depicted, two 100' lengths of RR-418 can be used to construct two loops at approximately 43' x 7' each. If only a single 100' length is available, it can be cut in half to form two loops of a minimum of 16ft x 7ft each. These loops are to be installed on opposite sides of the antenna, with the outermost edge of each loop a minimum of 75ft from the antenna centerline. The outputs of each loop controller are wired in series so that if either or both loops are active, the presence input on the 2600-020 Controller will activate.



Step 3

Route the cable underneath the rail as depicted below and secure it near the bottom of the tie. Insert the cable ends into the junction box. Secure the loop cable to rail ties using corner brackets and galvanized straps (provided in the kit).

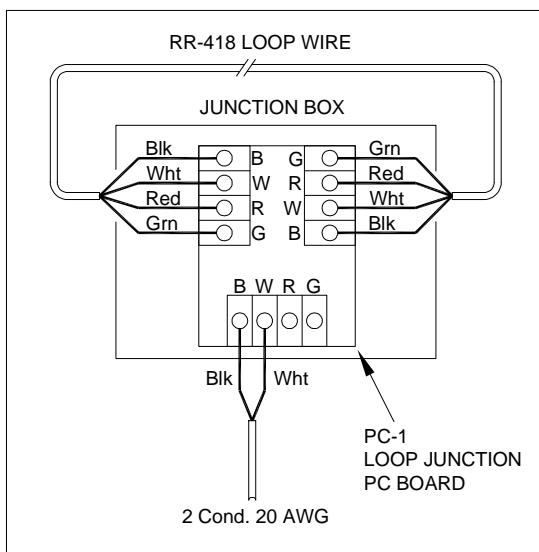


Step 4

Pull a separate run of 2 Conductor 20 Ga cable through a protective conduit and into the bungalow. Coil the excess cable on the floor. This cable will form the lead-in circuit. Leave enough slack at trackside to reach the loop junction.

Step 5

Splice the loop wires and lead-in wires in the junction box to PC-1, as depicted below. The Loop Junction PC-1 is a small PC board used to simplify the terminations of an inductive loop and the corresponding "home run" cable. The board terminals are labeled B (black), W (white), R (red), and G (green), and the terminals are color-coded.



Step 6

Seal the board with the backed mastic sheet. Press the mastic sheet securely to seal each wire and the board. Place the sealed Loop Junction PC-1 into the loop junction housing, and then seal the housing securely.

Step 7

Inside the system bungalow, locate the RR-418 lead-in cable and route it to the 2600-600 Surge Panel. Cut to length. Terminate the black and white conductors to their respective Three-Terminal-Arrester.

Setup/Programming

All operating parameters can be adjusted from the front panel via three normally open pushbutton switches. The detector continues to operate normally while it is in Program mode. Pressing the FUNC button enters the Program mode. The FUNC button has an auto-repeat function, which allows quick navigation to the desired parameter. The FUNC button only moves forward through all of the parameters; there is no way to move backward through the parameters. Pressing and holding either the ▲(UP) or ▼(DOWN) button will cause the value of the displayed parameter to change rapidly until the button is released. Pressing and holding the FUNC button for one second will exit the Program mode and return to the Normal mode.

There are eight (8) selectable loop frequency settings (normally in the range of 20 to 100 kHz). To eliminate cross-talk, be certain the loop frequency is set to a different channel from other loops in the vicinity. **The default setting is Channel 2.**

There are nine (9) selectable sensitivity levels, plus Continuous-Call and Channel-Off. The sensitivity levels are designed so that a one-level increase doubles the sensitivity and a one-level decrease halves the sensitivity. A unique bar graph displayed on the LCD makes it easy to quickly set sensitivity at the ideal level for any loop/lead-in network configuration. **STC recommends an initial sensitivity setting of Level-2.**

True Presence mode can be set by pressing the ▲(UP) or ▼(DOWN) push-button. When Option 13 is OFF (13.0), the detector operates in the normal Presence mode. When this option is set to 13.1, True Presence is ON. When Option 13 is ON, True Presence will hold the call for as long as the vehicle is present and power is not removed or the detector reset. **Option 13.1 is the recommended setting.**

Factory Reset

If the detector is not new from the factory, it is advisable to reset the detector back to the factory defaults prior to programming so that all unit settings are in a known state. First, press and hold all three pushbutton switches simultaneously for five seconds. When all three buttons are depressed, the display will start counting down from five (5). When the countdown reaches zero (0), releasing the pushbuttons will reload the factory defaults and reset the detector.

In most applications, the only parameters that need to be modified are **Sensitivity** and **True Presence Mode**. All other parameters should be set to factory default settings. The table below lists all programmable parameters and their recommended settings.

Recommended Settings

Function	Setting
Frequency	2
Sensitivity	2
Presence / Pulse Mode	Presence
Call Delay Time	0
Call Extension Time	0
Max Presence Time	OFF
End-of-Green (EOG)	OFF
Option 1 - Loop Inductance (L) Display	OFF
Option 2 - Loop Inductance Change (- Δ L/L) Display	OFF
Option 3 - Call Extension Control	OFF
Option 4 - Noise Filter Disable	OFF
Option 5 - Phase Green Loop Compensation	OFF
Option 11 - Audible Detect Signal	OFF
Option 12 - Detector Disconnect	OFF
Option 13 - True Presence Mode	13.1
Option 14 - Sensitivity Boost	OFF

The table below lists the pinout of the 10-pin circular connector on the loop detector front panel.

Connector Pinout

Pin	Function
A	DC Common
B	Output, Common
C	DC +
D	Loop Input
E	Loop Input
F	Output, Relay Normally Open (N.O.)
G	Count Output, Relay Normally Open (N.O.)
H	Chassis Ground
I	Count Output, Relay Common
J	Phase Green Input (Delay Override)

NOTE: Relay contact states are shown with power applied, loop(s) connected, and no vehicle(s) present.

Setting Sensitivity Using the Bar Graph

The bar graph is a graphical representation of the relative change of inductance as seen by the detector. It automatically takes into account the detector's sensitivity setting, loop geometry, configuration, lead-in length, and other factors. The first bar segment represents the minimum inductance change (set by the sensitivity level) necessary for the detector to output a call. Each additional segment to the right represents the inductance change in excess of the next sensitivity threshold. Usually, the larger the vehicle, the greater the $-\Delta L/L$ (loop inductance change); thus, more and more segments are displayed. The bar graph can be used as a precise indicator to select the proper sensitivity level. If the bar graph displays five or six segments for a vehicle in the loop, the sensitivity has been set to the proper range.



Troubleshooting Loop Failures

If the total inductance of the loop input network goes out of the range specified for the detector or rapidly changes by more than $\pm 25\%$, the detector enters the Fail-Safe mode, and "LOOP FAIL" displays on the LCD. The type of loop failure is displayed as L lo (for -25% change or shorted loop conditions) or L hi (for $+25\%$ change or open-loop conditions). This continues as long as the loop fault exists. Fail-Safe mode generates a continuous call in True Presence mode and Pulse mode. At the time of a loop failure, the detect LED begins to flash at a rate of three flashes per second. The LED continues this display pattern until the detector is manually reset or powered down.

If the loop self-heals, the LOOP FAIL message on the LCD extinguishes, and the detector resumes operation in a normal manner; however, the LED continues the three-flashes-per-second display pattern, thus providing an alert that a prior Loop Fail condition has occurred. Each loop failure is counted and accumulated into the Loop Fail Memory. The total number of loop failures for the detector is written into the Loop Fail Memory (since the last power interruption or manual reset) and can be seen by stepping through the functions in Program mode to the LOOP FAIL display.

The LOOP FAIL display messages are a useful tool for identifying intermittent loop problems. If the count is extremely high for the period observed, the problem is very likely a loose connection (check for loose connections at the terminal strip and bad splices in the field). The Loop Fail Count is reset when power is removed from the detector. This prevents the Loop Failure Count from moving to another loop if the detector is moved to a new location.

To view the Loop Fail Count, repeatedly press the FUNC button until the LOOP FAIL display is shown. The Loop Fail Count display is after the OPTION displays. Pressing the ▲ (UP) or ▼ (DOWN) button while the Loop Fail Count is displayed resets the count to zero.

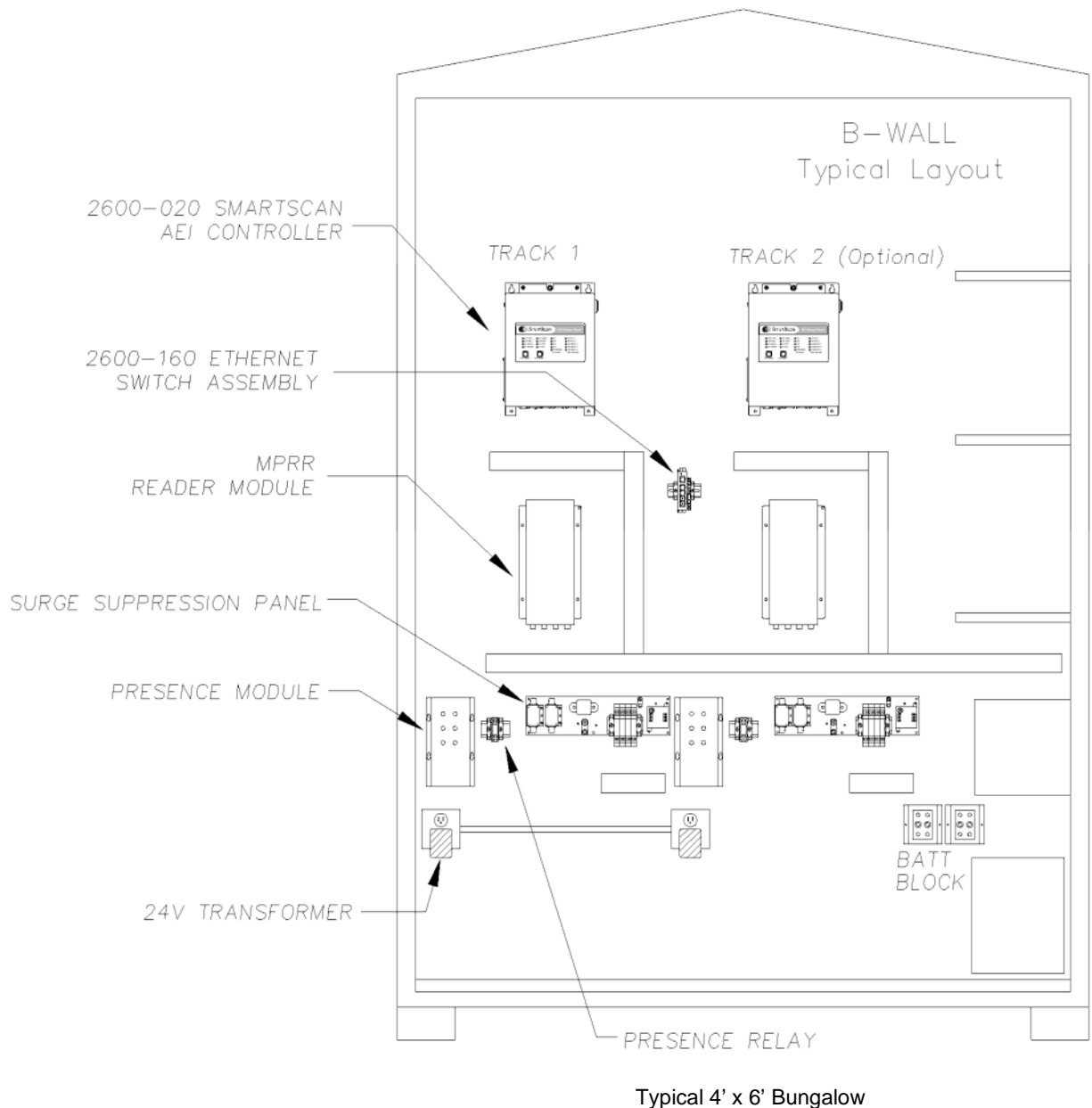
NOTE: The Loop Fail Count is not reset when the detector's sensitivity or frequency is changed. The prior Loop Fail indication continues until the Loop Fail Count is reset to zero.

4.0 Installation of the 2600-020 AEI Controller in an Existing Bungalow

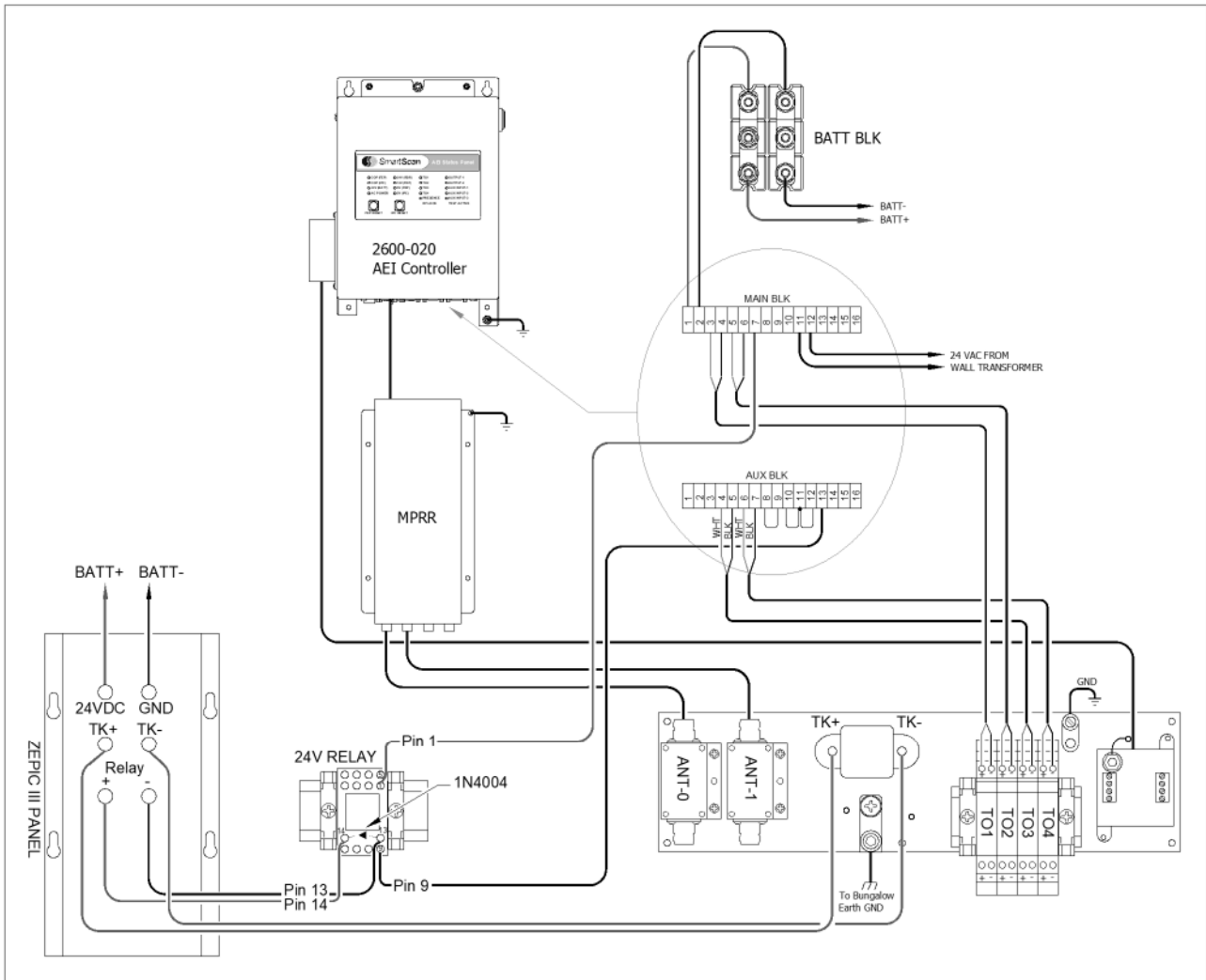
4.1 Installation of the 2600-020 AEI Controller

If your equipment was received pre-mounted in a bungalow package, go to Section 5.1.

The figure below depicts a “typical” layout for a 2600 AEI system. Your system components should be securely mounted to the bungalow wall using appropriate mounting hardware.



1. For ease of maintenance, the 2600-020 AEI Controller should be mounted so that its Status Panel is approximately eye-level with the maintainer. The MPR(x) should be mounted directly below the controller.
2. Locate and mount the 2600-600 Surge Suppressor Assembly that was supplied with your system. By design, most surge arresters cannot provide effective protection unless they are properly grounded. Using the provided ground lug, tie the copper plate to a driven earth ground.
3. Install and route system wiring per the figure below. Be certain to maintain proper polarity as indicated.
4. Tie the chassis of the AEI Controller and the MPR(x) module to earth ground. There is a threaded stud located on the base plate that can be used for this purpose.



2600 AEI System Wiring Schematic (refer to the enlarged image in Appendix)

NOTE: The Tiefenbach signal amplifier modules used on some legacy AEI systems are not required for the 2600-020 AEI Controller and should not be used.

Connector Pinout for Main Block

PIN	SIGNAL
1	BATT POS
2	BATT NEG
3	TO1+
4	TO1-
5	TO2+
6	TO2-
7	PRES IN
8	Chassis GND
9	Unused
10	Chassis GND
11	Power Fail
12	Power Fail RTN
13	Unused
14	Unused
15	+24 VDC
16	GND

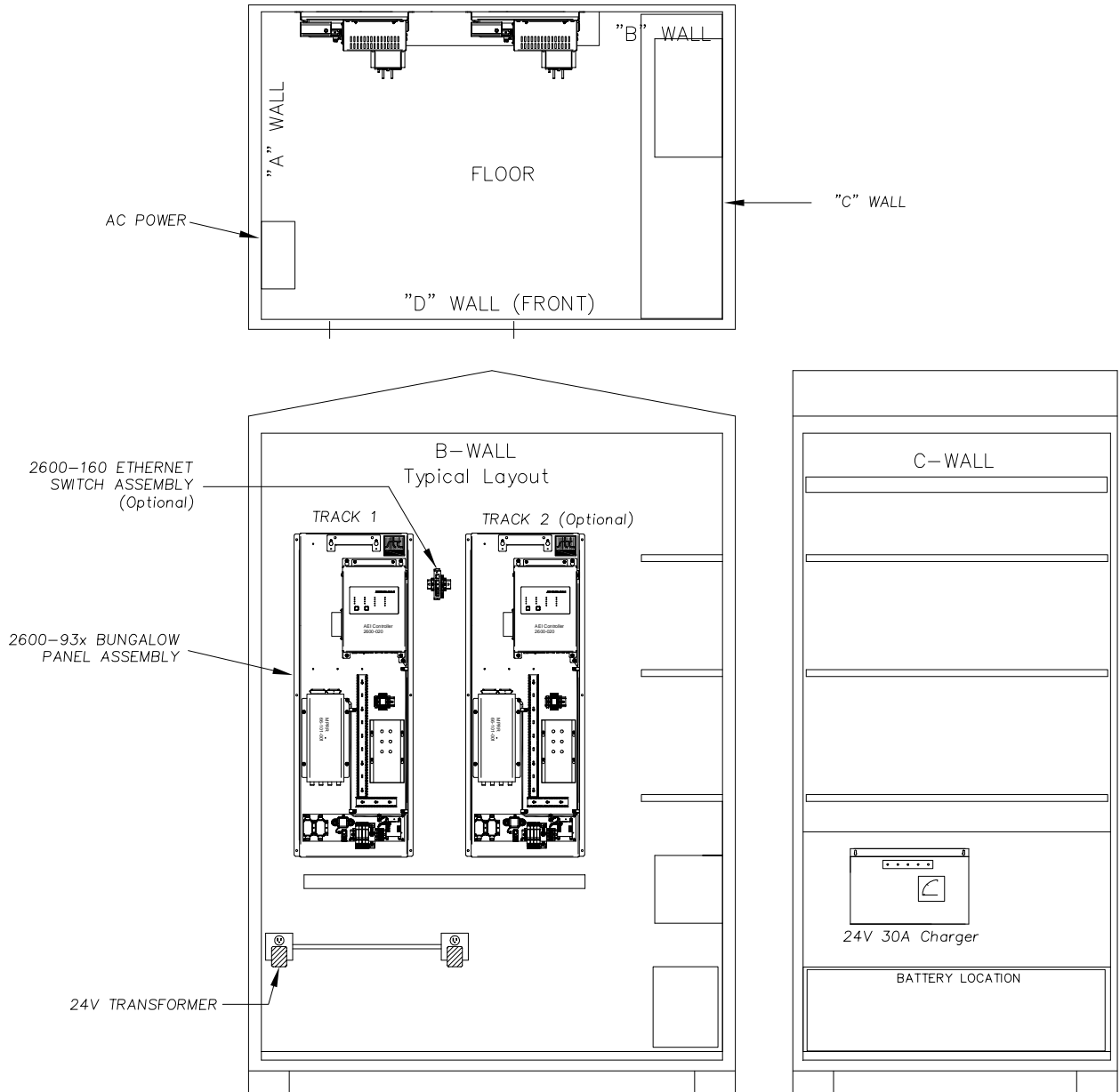
Connector Pinout for Aux Block

PIN	SIGNAL
1	AMB SIG
2	AMB GND
3	AMB +12V
4	TO3+
5	TO3-
6	TO4+
7	TO4-
8	AUX INPUT
9	AUX RTN
10	TRACK SW1
11	TRACK SW RTN
12	TRACK SW2
13	PRES RTN
14	OUT-1
15	RTN
16	OUT-2

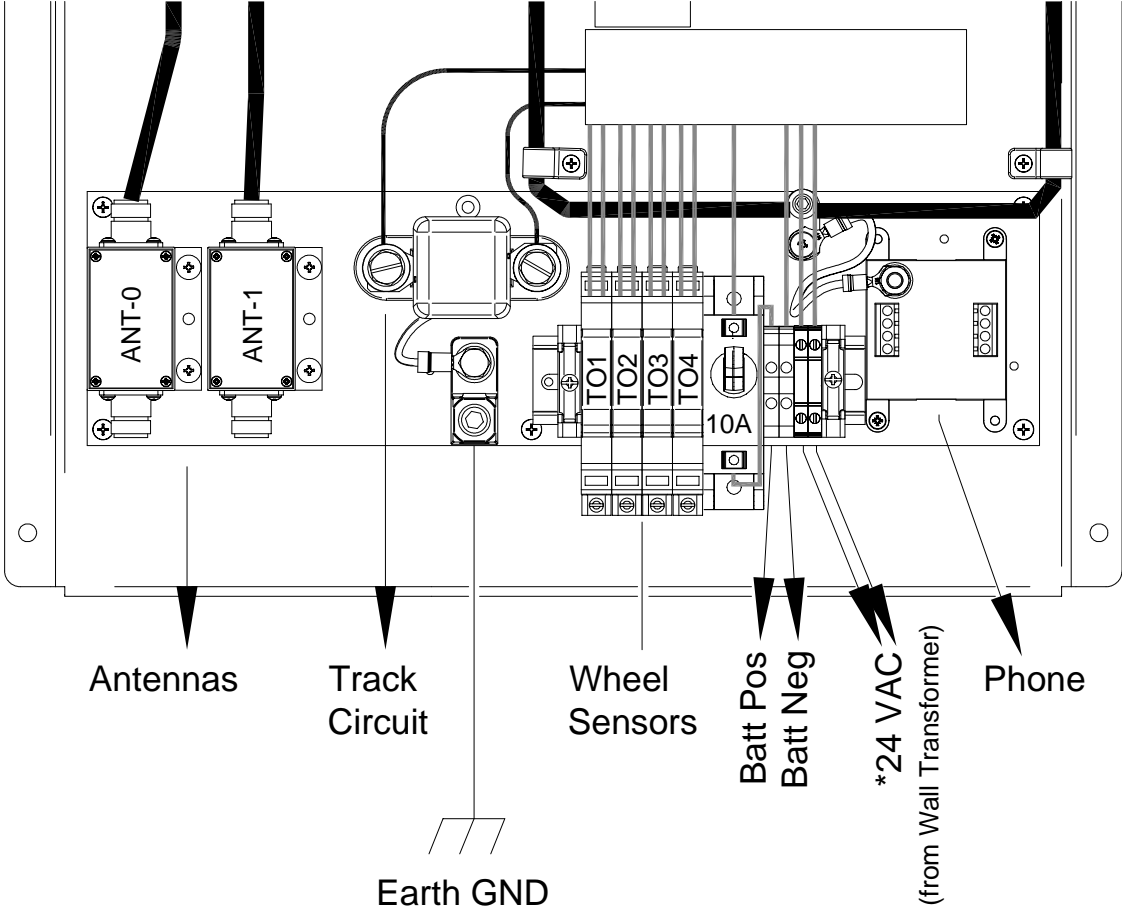
NOTE: Aux Input and Track Switch 1 and 2 are designed to be connected to the “normally closed” contacts of the external device. The input is considered active when an “open circuit” is sensed. Hard-wire jumpers should be placed across all unused inputs. (For example, if Aux Input is unused, short Pins 8 and 9 of Aux Block together.)

4.2 Installation of the 2600-93x Bungalow Panel Assembly

The figure below depicts a 2600-93x Bungalow Panel Assembly. The panel comes prewired and fully assembled and can be easily fastened to the bungalow wall using appropriate mounting hardware. The lower edge of the panel should be approximately 30" above the floor to position the Status Panel at an optimum viewing level.



After the 2300-93x is securely mounted to the wall, all external connections can be terminated at their designated points at the bottom of the panel. It is critical that the copper ground plate is properly tied to earth ground to ensure the effective protection of the surge panel components.



5.0 Installing a System Bungalow

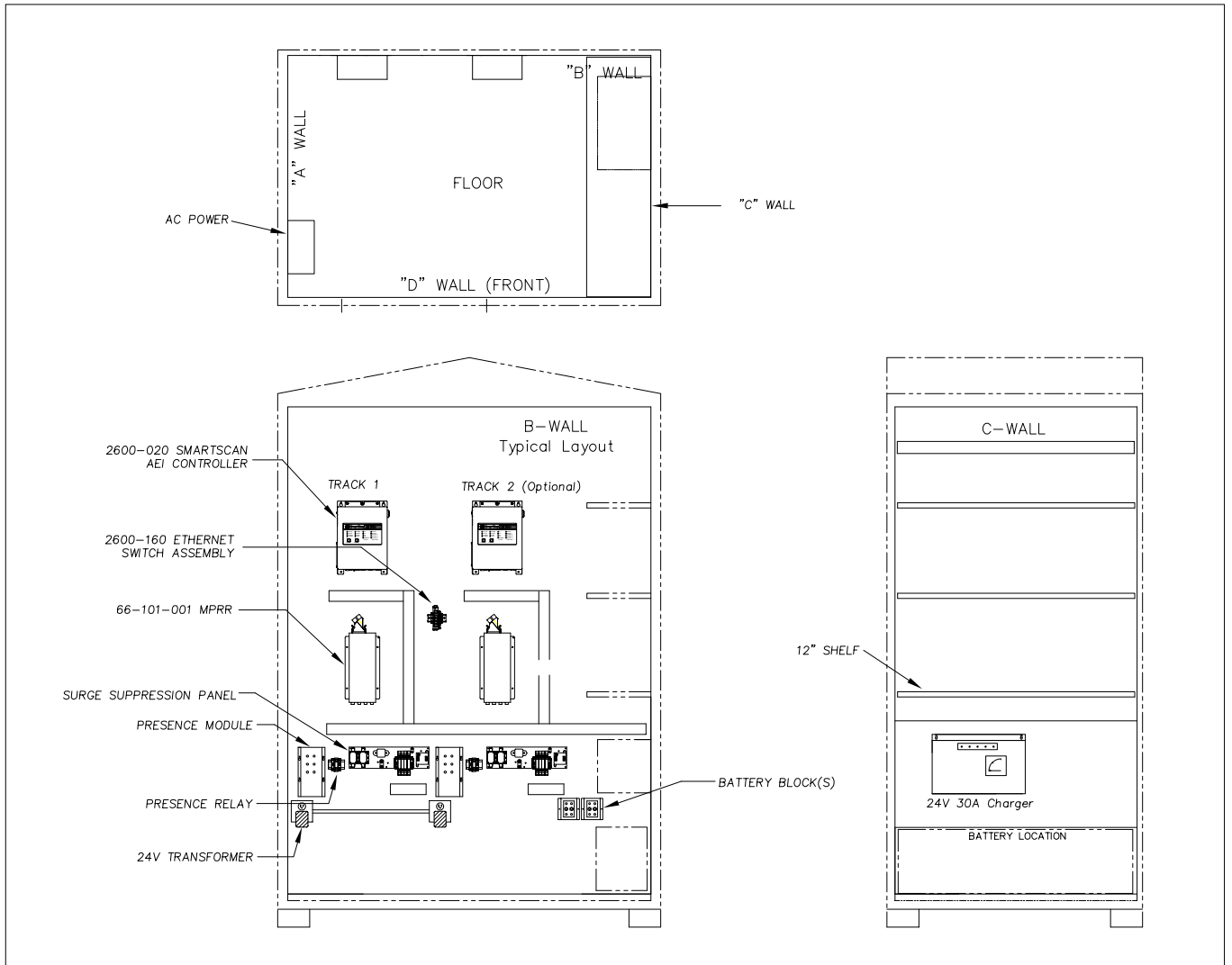
5.1 Selecting a Site

When selecting a site, consider the following criteria. The site should be:

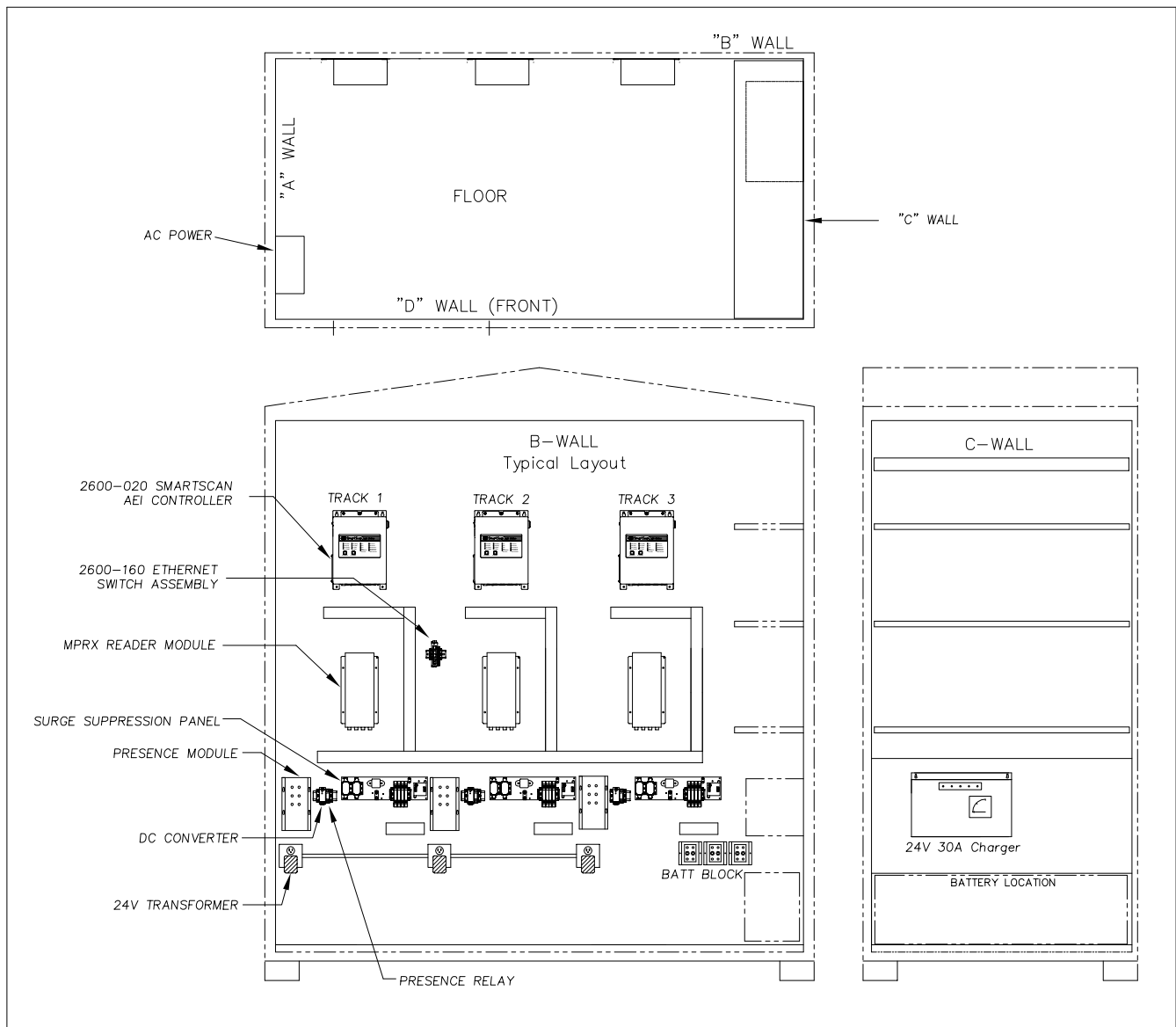
- on level, well-drained ground (avoid low areas where flooding may occur);
- at least 300' (91.4 m) from the nearest road crossing;
- by a track that is on-gauge (avoid placing track hardware in curves);
- by a roadbed that is tamped, stable, and well-maintained.

5.2 Preparing the Wayside Enclosure

1. Place the wayside enclosure on level, well-drained ground.
2. Level the wayside enclosure.
3. On the side of the wayside enclosure, drive at least one 8' (2.4-m) or longer ground rod into the ground.
Ground connectors with attached copper wires are welded to the underside of most wayside enclosures.
4. Attach one end of the copper wire that is attached to the wayside enclosure to the rod.
5. If your system has a cellular modem, go to step **8**.
6. Supply the site with normal telephone service.
7. Complying with all applicable codes and inspections, bring the telephone line into the wayside enclosure.
In a later section, this telephone line is wired to a surge protector in the SmartScan enclosure.
8. Supply the site with a stable AC power source of at least 110 volts at 20 amperes.
9. Complying with all applicable codes and inspections, bring the outside power line to the circuit-breaker box inside the wayside enclosure.
The next step removes power from the circuit-breaker box to the rest of the wayside enclosure.
10. Toggle off all breakers in the circuit-breaker box.
11. Complying with all applicable codes and inspections, wire the power line to the circuit-breaker box. *You can also wire the power line to a surge protector and then to the circuit-breaker box.*
12. If not done already, wire from the circuit-breaker box to a grounded outlet.
Most times, equipment is removed from walls during shipping. Mount all system components at this time with supplied hardware in the pre-drilled mounting holes.



Typical 4' x 6' Bungalow Layout (refer to enlarged image in Appendix)



Typical Triple Track 4' x 8' Bungalow Layout (refer to the enlarged image in Appendix)

6.0 Placing the 2600-020 AEI Controller into Service

Before applying power to the system for the first time, verify the following:

- The double-wheel detectors are mounted, aligned, spaced 9'-6" apart, and wired to the wheel detector Surge Suppressor Assembly. If the application calls for a single double-wheel detector, make sure it is mounted, aligned, and on centerline with system antennas. See Section 3.2 for mounting/alignment instructions.
- The reader antennas are mounted directly opposite each other and are centered between the wheel detectors. The northernmost or easternmost antenna is connected to the Antenna-0 output of the MPR(x), and the southernmost or westernmost antenna is connected to the Antenna-1 output.
- Both antenna masts have their own driven ground rod and are interconnected to the bungalow's driven ground rod.
- The 2600 AEI Controller, the MPR(x), and the surge panel are all securely mounted in the wayside enclosure and properly grounded.
- The presence subsystem is properly installed, and its output is connected to the controller.
- The float-controlled 24VDC battery subsystem is in place, has the proper voltage, and is connected to the appropriate terminals of the controller.
- All system wiring has been completed and verified (i.e., power, track hardware, phone, and/or Ethernet).

Apply power to the 2600-020 AEI Controller with the power switch.

- Verify that the various system voltages are indicated on the LED Status Panel (see Section 7.2).
- Connect a laptop running a terminal emulation program (i.e., HyperTerminal, ProComm, etc.) to serial port COM-2. Establish communications with the controller via the UI. Comm settings (19200, N, 8, 1)
- Set up time, date, and site parameters.
- Simulate a train. Activate presence and hand stroke several axles on the wheel detectors with a wrench. Pass a test AEI tag(s) in front of each antenna. Verify that the indicators on the LED Status Panel illuminate when their respective input becomes active.
- Set the "Audible Test Tone" switch to the ON position and pass a test AEI tag in front of each antenna. The system issues a loud "beep" each time an AEI tag is read.
- Review the Train Detail Report for a manually generated "test train" to verify system operation (see Section 7.9.2).
- Set up and enable T-94 Session(s).

Calibrate/Align Tiefenbach Wheel Detectors (if used)

Tiefenbach calibration/alignment is critical for generating the accurate axle data needed for vehicle breakout algorithms. Calibration is easily achieved using the MRDI Xmit and Rec Units. These are handheld portable devices that are used in conjunction with the 2600-800 Wheel Detector Gauge. The 2600-180 Transmitter Unit plugs into the AEI Controller and transmits the current status of each wheel detector. The 2600-190 Receiver Unit receives and displays wheel detector status during calibration.

The remote display makes the Tiefenbach alignment procedure a one-person operation.

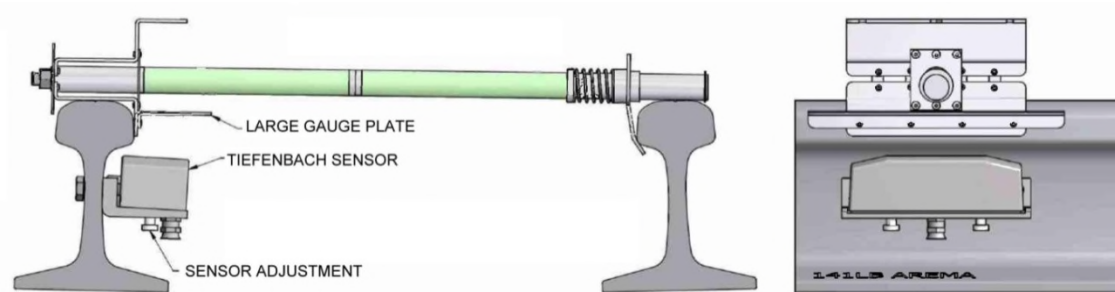
NOTE: If a 2600-800 Wheel Detector Gauge and the 2600-180/190 System are not available at your site, a simple gross calibration can be performed (see Section 3.2.3.).

Instructions

1. With supplied cable, plug the 2600-180 Transmitter Unit into the RJ50 connector in the controller's bottom panel. Position the Transmitter outside of the bungalow, preferably within line of sight of the wheel detectors.
2. Power on 2600-190 Receiver Unit. The **LINK** LED should be lit, which indicates that the transmitter and receiver units have established communications. If these units are unable to link, call STC for help.
3. Locate and place the 2600-800 Wheel Detector Gauge across rails so the large-gauge plate is positioned directly over the "A-Pair" Tiefenbach wheel detector. Make sure the gauge is properly seated on the railhead (*refer to the illustration on the next page*).
4. At the bottom of the wheel detector, unscrew the knurled protective plastic nuts off of the adjustment screws. Locate the brass adjustment tool that came packaged with your Tiefenbach wheel detector. Screw on the tool and tighten it without pushing the adjustment screw out of its adjustment protector. Force should not be used to turn the adjusting screw; otherwise, the adjustment protection may be damaged. Push the adjustment tool upwards to unlock the protection mechanism. *Note: A 3mm hex bit (included) can be used instead of a brass adjustment tool.*
5. **Calibration**
Calibration should begin with detectors in the inactive state (LED indicators off). If necessary, deactivate the detector by reducing the sensitivity (turn the adjustment screw to the left). Each element of the dual detector should be set to the "activation threshold" with the target (large-gauge plate) in place. Begin with TO1, which is the northernmost or easternmost detector. Slowly turn the adjustment screw to the right until the detector just activates (the corresponding LED indicator on 2600-190 lights). Next, set the TO2 detector to the "activation threshold" in a like manner. *Wheel detectors calibration is complete.*

(Calibration cont.)

Remove the adjustment tool. Screw on the knurled nut again and lightly tighten. If a second dual-wheel detector (“C-Pair”) is used in your system, locate the 2600-800 Wheel Detector Gauge and repeat the calibration process on the TO3 and TO4 detectors. TO4 is the southernmost or westernmost detector.

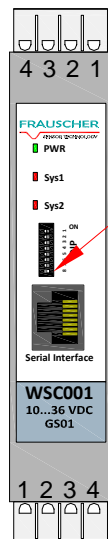


Calibrate/Align Frauscher Wheel Detectors (if used)

Calibrate sensors. Perform the Automatic Adjustment function for each RSR110 wheel detector. This function nulls out any influence of the rail and mounting hardware located in the area of the sensor. Run the Automatic Adjustment process after installation and after making any physical changes to the wheel detector alignment. Tie plates, track spikes, rail anchors, rail clips – and similar hardware – used in the area under the wheel detector do not interfere with the operation. Run the Auto Adjustment function after removing or adding metal hardware in the vicinity of the sensors.

Complete the following steps:

1. Confirm that the wheel detectors are mounted correctly and are ready for use.
2. Locate the DIP switches on the WSC and move DIP switch number 8 to the ON position for between two and six seconds.
3. Return DIP switch number 8 to the OFF position. As a result, the Sys1 and Sys2 LEDs should light up, indicating that the Automatic Adjustment function has started.
 - The WSC adjusts both wheel detectors simultaneously, requiring up to forty seconds.
 - The Sys1 and Sys2 LEDs turn off when the session finishes, indicating successful calibration.
 - A blinking Sys LED after the calibration process means that the associated wheel detector(s) did not successfully adjust. See Section 3.2.5 for troubleshooting.



If both wheel detectors indicate Success, calibration is complete.

7.0 User Interface

7.1 User Interface

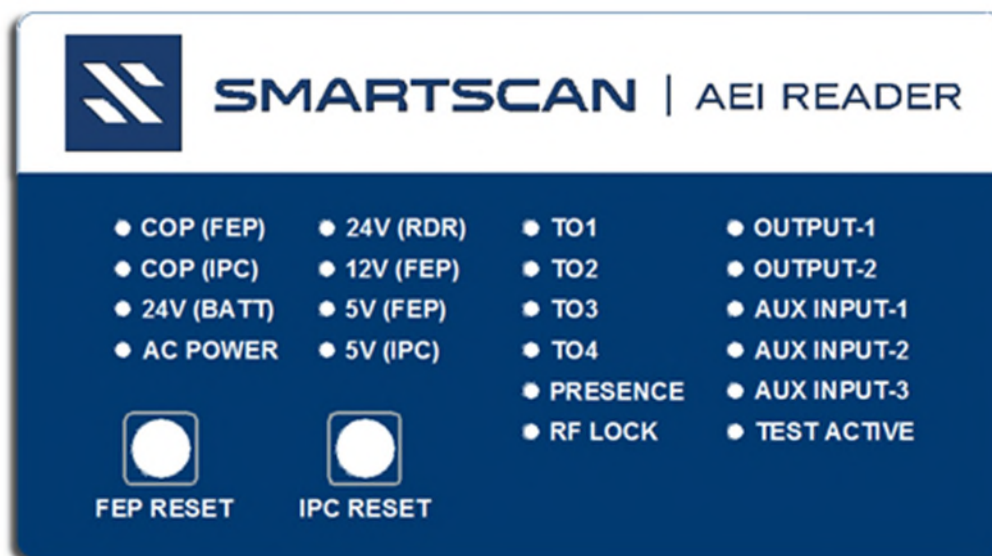
The user interface for the Model 2600 AEI Reader System consists of

- The LED Status Panel
Provides a snapshot of the system status
- The User Interface Menus
Provide access to system status, reports, and system setup options. Menus are available via a system serial port and/or network interface (Telnet, SSH)

7.2 AEI Status Panel

The AEI Status Panel provides for a quick determination of the system's overall status. It contains:

- indicators for the various system power supplies;
- indicators as to the current status of the reader module(s), wheel detectors, and presence subsystem;
- indicators as to the current status of auxiliary I/O;
- reset switches for each of the system processor boards.



The table below provides explanations for the status LEDs.

LED	Description
COP (FEP)	Indicates the status of FEP board <ul style="list-style-type: none"> • normal operations, idle = "heartbeat"; slow phase-in, phase-out • normal operations, train present = blinks pattern: short, long, short, long, short • boot-up/CRC check = quickly flashing • stuck in boot mode = ½ second on, ½ second off, ½ second on, ½ second off...
COP (IPC)	Indicates the status of the IPC board <ul style="list-style-type: none"> • normal operation = blinks, 1 second on, 1 second off, 1 second on, ... • takes approximately 60 seconds after power-on to start blinking
24V (BATT)	Indicates whether the 24V supply from the system batteries is present
AC Power	Indicates when the system's AC sense circuit confirms the presence of AC service
24V (RDR)	Indicates whether the 24V supply to the reader module is present
12V (FEP)	Indicates whether the 12V supply, generated on the FEP board, is present
5V (FEP)	Indicates whether the 5V supply, generated on the FEP board, is present
5V (IPC)	Indicates whether the 5V to the IPC board is present
T01 – T04	Indicates when the referenced wheel detector element is active. These LEDs light when a wheel (or other object, such as a wrench or steel-toe boot, etc.) is positioned over the wheel detector or there is a break in the wiring between the wheel detector and the Model 2600 Processor module.
Presence	Indicates when the presence input to the Model 2600 Processor module is active
RF Lock	Indicates when an AEI tag has been "acquired" by the reader
Output-1	Indicates when the system's configurable output is active
Output-2	Indicates when the system's configurable output is active.
Aux. Input-1	Indicates when the system's auxiliary Input-1 is active.
Aux. Input-2	Indicates when the system's auxiliary Input-2 is active.
Aux. Input-3	Indicates when the system's auxiliary Input-3 is active.
Test Active	Indicates that the Audible Test Function is enabled.

7.3 Tiered Access to System Resources

The Model 2600 AEI Reader's User Interface menus regulate access to the system resources by providing three different login identifiers. The resources available to each of these identities are outlined below.

Accessible Resources			
Login ID	Reports and Logs	System Operations Parameters	System Administration Functions
guest	X		
tech	X	X	
system	X	X	X

7.4 Accessing the User Interface Menus

The primary means of connecting to the Model 2600 are:

- via dial-up modem;
- via a direct RS232 connection to one of the Model 2600's serial ports;
- via the network interface, e.g., Telnet, SSH.

When connecting directly to the Model 2600-020 Controller, the connecting computer's serial port should be configured as follows (19200, N81):

- Baud rate = 19200
- Parity = None
- Data Bits = 8
- Stop Bits = 1

A null-modem cable is required to connect a computer directly to one of the system serial ports.

Login Prompt

Upon successful connection to the Model 2600-020, the login prompt appears:

```
Southern Technologies Corp.  
SmartSCAN 2600 AEI Reader  
  
Enter "guest" or "tech" To Proceed  
debian login:
```

Login Prompt

Guest Login and Password

When logged into the system as “guest,” all reports and system logs are available for printing/review.

The default password for the guest identifier is:

guest@2600

Tech Login and Password

When logged into the system as “tech,” system reports and logs are available for printing/review. Also, the parameters that govern system operations are available for modification. Such parameters include site configuration and reporting session configuration.

The default password for the tech identifier is:

tech@2600

System Login and Password

When logged into the system with the “system” ID, those functions available to the “tech” login are added system administration operations such as the ability to set the passwords for each of the three login identifiers and the ability to execute system software updates.

The default password for the system identifier is:

system@2600

Note: If the login prompt does not display automatically, press the [Enter] key.

7.5 Menus Overview

The following discussion presents an overview of the Model 2600's UI menus. In practice, only when logged in as “system” would all of the menus and functionality be available. When logged in as “guest,” only the **Report Menu** (and its submenus) are presented to the user. When logged in as “tech,” some of the options shown on the **System Functions Menu** are not presented (as noted).

7.5.1 Main Menu

The system's **Main Menu** appears after the system login process.

```
STC Model 2600 AEI Reader, Site Name: AEI Site 123
Wed Jun 28 15:29:36 EDT 2023
Main Menu
-----
A) Report Menu
B) Setup Menu
C) Reporting Session Configuration Menu
D) System Functions Menu
E) SNMP Menu
X) Exit Menu
?
```

As shown here, the **Main Menu** provides access to the Report Menu, the Setup Menu, the Session Configuration Menu and the System Functions Menu.

Main Menu

7.5.2 Report Menu

The **Report Menu** provides access to the data stored on the Model 2600 as well as information regarding the system's current status and recent operations. When a user is logged in as “guest,” only the **Report Menu** and its submenus are presented.

```
STC Model 2600 AEI Reader, Site Name: AEI Site 123
Wed Jun 28 15:30:55 EDT 2023
Report Menu
-----
A) Train Summary
B) Train Detail
C) Train Detail (Last Train)
D) Train Detail (Range Of Trains)
E) T94
F) T94 (Last Train)
G) T94 (Range Of Trains)
H) System Status
I) Maintenance Object Database Status
J) Logs
K) Diagnostic Report Menu
X) Exit Menu
? x
```

Report Menu

From the **Report Menu**, data can be viewed in the following formats:

- Summary data provides an overview of the data currently stored. Summary information for each consist is presented, one line per consist.
- Consist detail data that presents the standing order of a specified train with AEI ID information, as well as vehicle-related data such as axle count.
- S-9203A (T94) formatted reports.
- Diagnostic reports (at both summary and detail levels) are geared primarily toward isolating the causes of operational problems.

The **System Status Report** provides a listing of the current value of all of the system's settable parameters. This report includes parameters pertinent to the system's track-side equipment, AEI reader module(s), and the dial-out reporting sessions' status.

The **Event Log Menu** provides methods for examining the contents of a system log used to track the software operations of the Model 2600 Controller. This log would primarily be used to trace the series of events that led to problems detected in the system's operations.

The **Maintenance Log Menu** provides access to entries posted to the maintenance message log. The contents of this log form the basis of the Model 2600's maintenance-reporting function.

The **Diagnostic Report Menu** provides access to reports that are intended for use in diagnosing problems detected in the operations of the system:

1. The Diagnostic Summary Report is effectively an extension of the Train Summary Report in that it provides more information regarding wheel detector activity and AEI tag reads/reader activity.
2. The Diagnostic Detail Report contains extensive data pertaining to each train regarding the timing of wheel-detector activity, the timing of AEI tag reads and flags, etc., that indicate how the consist axle records were broken down into vehicle records, etc.

7.5.3 Setup Menu

The **Setup Menu** below provides access, for review and modification, to the system's settable parameters related to the train scanning process.

The **Setup Menu** itself provides access to some general system level parameters, as shown here.

```
STC Model 2600 AEI Reader, Site Name: AEI Site 123
Wed Jun 28 15:31:35 EDT 2023
Setup Menu
-----
A) Set Date and Time
B) Set Time Zone
C) Site Name           : AEI Site 123
D) Train Scanning     : Enabled
E) Multi-Track Site   : No
F) Antenna Between Tracks : N/A
G) Track Orientation   : East/West
H) Wheel Detector Configuration : Single, active = A-pair
I) Ant. Offset From Wheel Detector : Ant0: 0"[?] Ant1: 0"[?]
J) Maximum Number Of Stored Trains : 100
K) Maximum Train Number : 150
L) Load Default Settings
M) Track Hardware Setup Menu
N) Load or Dump Reader Setup Parameters
X) Exit Menu
? x
```

Setup Menu

7.5.4 Session Configuration Menu

The **Session Configuration Menu** provides access to the parameters that control the automated reporting functions of the system. Reporting “sessions” are used to manage the process of transferring data from the Model 2600 Controller to remote computers. Five sessions are available for managing consist data reporting. Two sessions are available for managing the reporting of system maintenance-related information. The parameters that can be configured for each session include (among others) phone number, site ID, and the protocol to be used to communicate with the remote computer/server.

```
STC Model 2600 AEI Reader, Site Name: AEI Site 123
Wed Jun 28 15:35:17 EDT 2023
Reporting Session Configuration Menu
-----
A) Consist Sessions Menu
B) Maintenance Sessions Menu
X) Exit Menu
?
```

Session Configuration Menu

STC Model 2600 AEI Reader, Site Name: AEI Site 123
Wed Jun 28 15:35:46 EDT 2023
Session 1 Configuration Menu

- A) Auto Reporting : Disabled
- B) Site ID : AEI1111
- C) AAR Billing Code : 00000
- D) Time Zone : 6
- E) Units Of Measure : English
- F) Report Field Delimiter : (space)
- G) Phone Number : 892-0381
- H) Baud Rate : 19200
- I) Report Reverse-out Trains : Disabled
- J) Reporting Protocol : dial-and-dump
- K) Train Dir To Report First : East
- L) Max Retry Attempts : 3
- M) Retry Delay Time : 3
- N) Minimum Axle Count : 4
- O) Report Raw Tag Records : Disabled
- P) Synch. Clock With Host : Enabled
- Q) Header : None
- R) Login ID : None
- S) Password : None
- T) Destination Directory : None
- U) Host Name|IP : none
- X) Exit Menu

?

The details of the **Session Configuration Menus** are discussed in section 7.7.2 of this document.

Session Configuration Menu

7.5.5 System Functions Menu

The **System Function Menu** presents the configuration and housekeeping options. *Options H, I, J, K, and L shown on this menu are present only when a user is logged in with the "system" ID.*

STC Model 2600 AEI Reader, Site Name: AEI Site 123
Wed Jun 28 15:41:31 EDT 2023
System Functions Menu

- A) Configure Network Interfaces Menu
- B) Configure time synch with NTP Server
- C) Delete All Train Data
- D) System Reset Menu
- E) Telnet Pass-Thru
- F) Serial Pass-Thru
- G) Reader Module Direct Comm. Link (Manual RF Functions)
- Q) Request Status Update From FEP
- T) Track Hardware Signal Status
- X) Exit Menu

?

The details of the **System Function Menus** are discussed in section 7.8 of this document.

System Functions Menu

7.6 Setup Menu Details

The configuring of parameters that primarily affect the acquisition of consist data is accomplished via the **Setup Menu**, which is one of the four options available on the system's **Main Menu**. A few general, site-related parameters can be accessed directly from the **Setup Menu**. These include time and date, time zone, site name, the enabling/disabling of train scanning, etc. The **Track Hardware Menu** provides access to parameters directly related to the operations of the wheel detectors, antennas and reader module(s), and the presence subsystem.

7.6.1 Setup Menu

Depicted below is the **Setup Menu** from the Model 2600 AEI system. Below that, each menu option is described.

```

STC Model 2600 AEI Reader, Site Name: AEI Site 123
Wed Jun 28 15:54:27 EDT 2023
Setup Menu
-----
A) Set Date and Time
B) Set Time Zone
C) Site Name                : AEI Site 123
D) Train Scanning          : Enabled
E) Multi-Track Site        : No
F) Antenna Between Tracks  : N/A
G) Track Orientation        : East/West
H) Wheel Detector Configuration : Single, active = A-pair
I) Ant. Offset From Wheel Detector : Ant0: 0"[?] Ant1: 0"[?]
J) Maximum Number Of Stored Trains : 100
K) Maximum Train Number     : 150
L) Load Default Settings
M) Track Hardware Setup Menu
N) Load or Dump Reader Setup Parameters
X) Exit Menu
?

```

Setup Menu

Setup Menu Options	
Set Date and Time	This option provides a dialog for setting the system date and time.
Set Time Zone	This option provides a series of menus that guide the user through identifying the time zone in which the system is located.
Site Name	This option is used to specify an identifier for the site/system. This identifier is used in the header of various train data reports, etc. It is not used when generating T94 reports in the dial-out reporting process; session-specific identifiers are specified via the Session Setup Menus.
Train Scanning	This option is used to enable/disable the system's train scanning function. When this option is set to "Enabled," the system records consist data. When this option is set to "Disabled," trains that cross the reader site are ignored. The "Disabled" state can be used for diagnostic purposes.

Multi-Track Site	This option is used to specify whether the Model 2600 Controller is installed at a multi-track site. When this option is set to “Yes,” the data gathered for a consist is submitted to a secondary evaluation in an effort to filter out any errant AEI tags read from a train on an adjacent track.																		
Antenna Between Tracks	This option is used to specify which antenna is located between the tracks at a multi-track site. This information <u>is used</u> in the filtering of cross-track reads that might occur in a multi-track installation.																		
Track Orientation	This option is used to specify whether the Model 2600 Controller is installed on a track that is oriented in either the north-south or east-west direction.																		
Wheel Detector Configuration	The Model 2600 Controller can operate using either a single (dual element) Tiefenbach wheel detector or two (dual element) Tiefenbach wheel detectors. This option is used to specify the wheel detector configuration for a site. When the “Single” option is selected, the user is prompted to specify which wheel detector inputs are active – either the A-pair (T01/T02) or the C-pair (T03/T04).																		
Ant. Offset From Wheel Detectors	This option is applicable only where a system is configured with a single wheel detector. (This option provides a means for specifying the distance a site's antennas are from being centered on the system's wheel detector.)																		
Maximum Number Of Stored Trains	This option is used to specify the number of train data files that are maintained at a given time. The maximum allowed value for this field is 300.																		
Maximum Train Number	This option is used to specify the maximum number assigned to a train processed by the Model 2600 Controller. Trains are numbered consecutively from 1 to the maximum specified chronologically. When the specified Maximum Train Number is reached, the next train read is assigned the number 1. <i>This value must be less than 10,000 and must be greater than or equal to the Maximum Number Of Stored Trains option.</i>																		
Load Default Settings	This option sets the following setup parameters to the values shown below: <table border="1" data-bbox="623 1318 1435 1591"> <thead> <tr> <th>Parameter</th> <th>Default Value</th> </tr> </thead> <tbody> <tr> <td>Train Scanning</td> <td>Enabled</td> </tr> <tr> <td>Multi-Track Site</td> <td>No</td> </tr> <tr> <td>Antenna Between Tracks</td> <td>N/A</td> </tr> <tr> <td>Track Orientation</td> <td>North/South</td> </tr> <tr> <td>Wheel Detector Configuration</td> <td>Dual</td> </tr> <tr> <td>Ant. Offset from Wheel Detector</td> <td>(applies only to single W/D config)</td> </tr> <tr> <td>Maximum Trains Stored</td> <td>100</td> </tr> <tr> <td>Maximum Train Number</td> <td>100</td> </tr> </tbody> </table>	Parameter	Default Value	Train Scanning	Enabled	Multi-Track Site	No	Antenna Between Tracks	N/A	Track Orientation	North/South	Wheel Detector Configuration	Dual	Ant. Offset from Wheel Detector	(applies only to single W/D config)	Maximum Trains Stored	100	Maximum Train Number	100
Parameter	Default Value																		
Train Scanning	Enabled																		
Multi-Track Site	No																		
Antenna Between Tracks	N/A																		
Track Orientation	North/South																		
Wheel Detector Configuration	Dual																		
Ant. Offset from Wheel Detector	(applies only to single W/D config)																		
Maximum Trains Stored	100																		
Maximum Train Number	100																		
Track Hardware Setup Menu	This option causes the Track Hardware Configuration Menu to display. The Track Hardware Configuration Menu provides for the configuration of parameters that affect the wheel detector, Presence, and AEI Reader module subsystems of the Model 2600 Controller.																		

<p>Load or Dump Reader Setup Parameters</p>	<p>This option is intended to provide a means for archiving the configuration of a 2600 Controller in a file that can subsequently be used to restore/initialize the system (or another reader) at a later date. The “dump” option, when selected, prints a formatted ASCII stream intended to be captured in a file by the user. The “load” option provides for the uploading of a previously retrieved dump of a Reader's configuration. The “load” operation includes extensive validation of the uploaded file before committing the loaded configuration changes.</p> <p>From the Setup Menu, select Load or Dump Reader Setup Parameters:</p> <pre>STC Model 2600 AEI Reader, Site Name: AEI Site 123 Fri Feb 21 14:48:02 EDT 2023 Load/Dump Reader Setup Parameters Menu ----- D) Dump Reader Setup Parameters L) Load Reader Setup Parameters File X) Exit Menu ?</pre> <p>Type “D” to Dump Reader Setup Parameters. The following prompt appears:</p> <pre>Dump (print) Reader Setup Parameters now Y/N)?: Y Prepare to capture/log data. Press <ENTER> to start download...</pre> <p>Type “L” to load a previously captured setup file. The following prompt appears:</p> <pre>Load Reader Setup Parameters now (Y/N)?: Y Waiting for Reader Setup Parameters upload ...</pre> <p>From your terminal emulation program, locate and send the selected setup file. The following prompt appears:</p> <pre>Receiving data ... Finished reading data. Total lines read = 224 Preparing to write uploaded param to Reader config files ... Successfully loaded Reader configuration parameters</pre> <p>NOTE: “Load” function will time out in 30 seconds if the setup file is not sent.</p>
---	---

Example report below was generated by **Dump Reader Setup Parameter Command**:

```
+++++
++ STC Model 2600 AEI Reader Configuration Summary
++ Generated: 02-21-2023 15:36:44
++ Config. Summary App. Version [1.09, 06/07/2013]
+++++

FILE:<Reader Setup>
SECTION:<Site Configuration> -----
MultiTrackSite           = No
MaxTrainsStored          = 100
MaxTrainNumber           = 100
    .
    .
    .
<EOS>
SECTION:<Track Hardware Configuration> -----
PresenceTimeoutPeriod    = 00:10
PresenceInputDebounceFilter = 3
XdcrPulseWidthFilter     = 3
    .
    .
    .
FILE:<Network Config.>
SECTION:<Network Interfaces Config> -----
LAN mode                  = manual
LAN address               = 10.14.22.31
WAN netmask               = 255.255.255.0
    .
    .
    .
SECTION:<Name Resolution Config> -----
Resolve search           = ST.local
Resolve nameserver_1     = 10.14.22.15
Resolve nameserver_2     = 66.18.32.2
    .
    .
    .
FILE:<Sessions Setup>
SECTION:<SessionNum_1> -----
Auto Reporting           = Disabled
Site ID                  = AEI1111
AAR Billing Code          = 00000
    .
    .
    .
SECTION:<MaintSessNum_1> -----
Auto Reporting           = Disabled
Site ID                  = AEI1234
AAR Billing Code          = 00000
    .
    .
    .
-- Report Complete --
```

7.6.2 Track Hardware Configuration Menu Details

The **Track Hardware Configuration Menu** provides for the configuration of parameters that affect the wheel detectors, the presence subsystem, and the MPR(x). This menu is accessed from the **Setup Menu**, which itself is available from the **Main Menu**.

The **Track Hardware Configuration Menu** is shown below, and the options on this menu are described below that.

```

STC Model 2600 AEI Reader, Site Name: AEI Site 123
Wed Jun 28 15:56:34 EDT 2023
Track Hardware Configuration Menu
-----
A) Presence Input                               : Enabled
B) Presence Timeout Period (mm:ss)             : 00:10
C) Presence Input Debounce Filter (mS)        : 3
D) Wheel Detector Pulse Width Filter (mS)     : 3
E) Wheel Detector Pair Spacing (inches)       : (applies only to dual W/D config.)
F) Tag ID Separation (# ID's)                 : 2
G) Tag Uniqueness Timeout (seconds)           : 30
H) Tag Consecutive Reads                      : 2
I) MPRR Reader Frequency (MHz)               : 911.500
J) MPRR Reader Attenuation                    : 0
L) Load Default Settings
X) Exit Menu
?

```

Track Hardware Configuration Menu

Track Hardware Setup Menu Options	
Presence Input	When this option is disabled, the 2600 Controller ignores the state of its Presence Detector input. This feature can be useful where a presence detection device has failed in its “active” state or where no presence detection device is installed.
Presence Timeout Period	This option is used to specify the amount of time, in seconds, that the Model 2600 Controller should wait before closing out the processing of a train. The Presence Timeout parameter determines how many seconds of inactivity (e.g., where presence has cleared and no signals are received from the wheel detectors) should pass before the reader considers a given train to have cleared the site. This parameter is typically set to 10 seconds.
Presence Input Debounce Filter	This option is used to specify, in milliseconds, the amount of time to wait before considering an active presence signal as valid. Its purpose is to filter noise detected by the presence subsystem that isn't generated by an approaching train. This parameter is typically set from three to five milliseconds.

Wheel Detector Pulse Width Filter	This parameter is used to specify a value, in milliseconds, to be used to filter errant noise detected on the wheel detector inputs. The Model 2600 Controller filters (ignore) signals detected at the wheel detector inputs that have a narrower pulse width than the value of the Wheel Detector Pulse Width parameter. This parameter is typically set to five milliseconds.																						
Wheel Detector Pair Spacing	This option applies only to sites configured with dual Tiefenbach wheel detectors. This option is used to enter the actual distance (in inches) measured between the two wheel detector modules. This measurement is from the inside edge of one detector module to the inside edge of the other. This value is normally 114" (9.5'). Note: The value should be no less than 9' and no more than 10.5'. The Wheel Detector Pair Spacing parameter is used internally by the Model 2600 Controller to calculate the speed and length of the rail vehicles that cross the site.																						
Tag ID Separation	This parameter is used by the system to filter multiple reads of a given AEI tag. It specifies the number of other tags that must be read before a subsequent read of a given tag is again considered a valid read. This parameter should be set to 2.																						
Tag Uniqueness Timeout	This parameter is used by the system to filter multiple reads of a given AEI tag. It specifies the amount of time that must elapse before a subsequent read of a given tag is again considered a valid read. This parameter should be set to 30 seconds.																						
Tag Consecutive Reads	This parameter is used by the system to ensure that a read of a given AEI tag is valid. It specifies the number of times a given tag must be "sensed" by the reader module before it can be considered a valid read. This parameter should be set to 2.																						
MRRR Reader Frequency (Mhz)	This parameter sets the transmit frequency of the MRRR reader module. When selected, this option presents a list of 49 possible frequency settings in the range 910.0Mhz to 922.0Mhz, in 250Mhz steps.																						
MRRR Reader Attenuation	This option provides a means for attenuating the RF signal produced by the MRRR reader module. This option can be set to a value in the range 0–0 where, as the setting increases, approximately 1 dB of attenuation is added per step.																						
Load Default Settings	This option sets the following parameters to the values shown below: <table border="1"> <thead> <tr> <th>Parameter</th> <th>Default Value</th> </tr> </thead> <tbody> <tr> <td>Presence Input</td> <td>Enabled</td> </tr> <tr> <td>Presence Timeout Period</td> <td>10 seconds</td> </tr> <tr> <td>Presence Input Debounce Filter</td> <td>3 milliseconds</td> </tr> <tr> <td>Wheel Detector Pulse Width Filter</td> <td>3 milliseconds</td> </tr> <tr> <td>Wheel Detector Spacing to 114</td> <td>114 inches</td> </tr> <tr> <td>ID Separation</td> <td>2 (tag ID's)</td> </tr> <tr> <td>Uniqueness Timeout</td> <td>30 seconds</td> </tr> <tr> <td>Consecutive Reads</td> <td>2 (reads)</td> </tr> <tr> <td>MRRR Reader Frequency</td> <td></td> </tr> <tr> <td>MRRR Reader Attenuation</td> <td>911.5 Mhz</td> </tr> </tbody> </table>	Parameter	Default Value	Presence Input	Enabled	Presence Timeout Period	10 seconds	Presence Input Debounce Filter	3 milliseconds	Wheel Detector Pulse Width Filter	3 milliseconds	Wheel Detector Spacing to 114	114 inches	ID Separation	2 (tag ID's)	Uniqueness Timeout	30 seconds	Consecutive Reads	2 (reads)	MRRR Reader Frequency		MRRR Reader Attenuation	911.5 Mhz
Parameter	Default Value																						
Presence Input	Enabled																						
Presence Timeout Period	10 seconds																						
Presence Input Debounce Filter	3 milliseconds																						
Wheel Detector Pulse Width Filter	3 milliseconds																						
Wheel Detector Spacing to 114	114 inches																						
ID Separation	2 (tag ID's)																						
Uniqueness Timeout	30 seconds																						
Consecutive Reads	2 (reads)																						
MRRR Reader Frequency																							
MRRR Reader Attenuation	911.5 Mhz																						

7.7 Session Configuration Menu Details

Reporting “sessions” are used to manage the process of transferring data from the Model 2600 Controller to remote computers. This menu is available from the system's **Main Menu**.

The consist reporting sessions manage the process of formatting the consist's AEI-related data (as specified by the AAR's standard, S-918) and transmitting this data to a remote host computer. The maintenance reporting sessions manage the process of formatting system maintenance-related information (as specified by the AAR's standard, S-918) and transmitting this data to a remote host. Any combination of the five available consist sessions and the two maintenance sessions can be enabled for reporting.

```
STC Model 2600 AEI Reader, Site Name: CromwellRd
Tue Feb 21 15:43:32 EST 2023
Reporting Session Configuration Menu
-----
A) Consist Sessions Menu
B) Maintenance Sessions Menu
X) Exit Menu
?
```

Session Configuration Menu

7.7.1 Consist Session Setup Menu

The **Consist Session Setup Menu** presents a reference to each of the five available dial-out reporting sessions.

Each of the “Session x” entries in the menu indicates:

- whether that session is enabled (configured to transmit T94 reports);
- the reporting protocol has been selected for that session.

```
STC Model 2600 AEI Reader, Site Name: AEI Site 123
Thu Jun 29 10:48:41 EDT 2023
Session Setup Menu
-----
A) Session 1 (Disabled, dial-and-dump, 892-0381)
B) Session 2 (Disabled, ftp , 10.14.22.50)
C) Session 3 (Disabled, email , none)
D) Session 4 (Disabled, ftp-Railinc, none)
E) Session 5 (Disabled, None , )
F) Retransmit T94 Reports
G) Transmit Test Train
X) Exit Menu
?
```

Session Setup Menu Example

By selecting one of the **Session x Menu** options (**A**, **B**, **C**, **D**, or **E**), the configuration of each session can be viewed and/or modified. An example of a **Session x Configuration Menu** is depicted on the following page.

The **Retransmit T94 Reports** option (option **F**, as shown) provides a means for selecting one or more trains currently stored in the Model 2600 Controller to be transmitted via a specified session.

The **Transmit Test Train** option (option **G**, as shown) provides a means for causing the Model 2600 Controller to transmit a pre-formatted S-918 (T94) consist data report via a specified session.

7.7.2 Session x Configuration Menu

The **Session x Configuration Menu** provides access parameters that affect how a consist report gets reported and, to a limited extent, how the consist report is formatted.

```

STC Model 2600 AEI Reader, Site Name: Tyner Trk 1
Wed Jul 26 16:22:12 EDT 2023
Session 1 Configuration Menu
-----
A) Auto Reporting           : Disabled
B) Site ID                  : AEI11111
C) AAR Billing Code         : 12121
D) Time Zone                : 6
E) Units Of Measure        : English
F) Phone Number            : N/A
G) Baud Rate                : N/A
H) Reporting Protocol       : ftp-EISystems
I) Report Reverse-out Trains : Disabled
J) Train Dir To Report First : North
K) Max Retry Attempts       : 3
L) Retry Delay Time         : 1
M) Minimum Axle Count       : 4
N) Synch. Clock With Host   : Enabled
O) Header                   : None

Q) FTP Reporting Parameters Menu
S) S-9203A Report Options Menu
P) Print Session Settings
X) Exit Menu
?

```

Session x Configuration Menu Example – Session 1

Session X Configuration Menu	
Auto Reporting	This parameter is used to activate and deactivate the reporting session. When set to "Enabled," the 2600 Controller attempts to transmit a T94 report for each train that passes the site.
Site ID	This parameter specifies the "official" identifier for the AEI reader site as far as the reporting session is concerned. This identifier is used to populate a field in the header (AEM record) of the T94 reports generated for this session.
AAR Billing Code	This parameter corresponds to another field in the header (AEM record) of the T94 reports that are generated for this reporting session. The AAR Billing Code loosely identifies the railroad that the reporting session is configured to report to or for.

Time Zone	This parameter is used to specify the time zone of the 2600 site. Select this option from the menu; the following prompt appears: Enter New Time Zone (Eastern=5 Central=6 Mountain=7 Pacific=8)
Units of Measure	This parameter is used to specify the units used in some T94 report fields, such as speed and length. From the menu options, the user has a choice of either English or metric units.
Phone Number	This option is used to specify the phone number that the site is to use when attempting to deliver T94 reports for this reporting session. This parameter applies only when a dial-out (landline) modem is installed in the system.
Baud Rate	This option is used to specify the baud rate the system landline modem is to use when initiating a dial-out connection with a remote modem. The specified baud rate is the maximum baud at which a connection is made.
Report Reverse-out Trains	This option is used to specify whether the reporting session is to report those trains/movements wherein the train pulls onto the site and then reverses back off of the site.
Reporting Protocol	This parameter is used to specify which predefined protocol is used when transmitting T94 reports to a remote server/computer. When this option is selected, a menu similar to the following appears: STC Model 2600 AEI Reader, Site Name: Cromwell Rd Fri Feb 21:01:02 EDT 2023 Current Reporting Protocol (ftp) Menu ----- A) bnsf B) cn-ftp C) cn D) cp E) csx F) dial-and-dump . . . M) ns N) ptrn O) up P) xmodem X) Exit?

(Session X Configuration Menu, cont)

Train Dir To Report First	This parameter is used to specify the train direction to report first. Select this option to toggle direction. This option will only apply where switching moves occur.
Max Retry Attempts	This parameter is used to specify the number of times the 2600 Controller is to attempt to deliver a T94 report for this reporting session before pausing. After attempting the amount of time specified by this parameter, the Reader will pause in its attempt to deliver a report until the next train crosses the site. Failed attempts can be caused when phone line issues preclude delivery of a report (e.g., the modem reports NO CARRIER or BUSY) or where a communications timeout with the remote server/computer occurs.
Retry Delay Time	This parameter is used to specify the amount of time, in minutes, that the 2600 Controller is to wait between attempts to deliver a given T94 report to the server/computer referenced by this session.
Minimum Axle Count	This parameter is used to specify the minimum train/consist size that the 2600 Controller is to report to the server/computer referenced by this session. In this way, the 2600 Controller can prevent delivering T94 reports for high-rail vehicles, for instance.
Report Raw Tag Records	This parameter is used to specify whether the 2600 Controller is to include in the T94 reports generated for this session the 20-character raw ("six-bit") form of the AEI tags read by the reader for each consist.
Synch. Clock With Host	This parameter is used to specify whether the 2600 Controller is to synchronize its clock with that of the remote server using a timestamp supplied by the server. The referenced timestamp must be one that is supplied via the predefined reporting protocol selected for this reporting session.
Header	This parameter is used to specify a line of text that is to precede any T94 report delivered in accordance with the reporting session. Some of the available predefined reporting protocols require a header in a specified format. For those reporting protocols that do not require it, this parameter is ignored.
FTP Reporting Parameters Menu	This menu includes options for Login ID, Password, Destination Directory, and Host Name IP.
S-9203A Report Options Menu	This menu includes options for Report Field Delimiter, RRE Axle-Count Field Size, Include RTD Segments, Include TDM Segments, Include DCL Segments, and Configure DCL Segment Options.
Print Session Settings	This option can be used to print out all of the applicable settings configured for the current session.

7.7.2.1 FTP Reporting Parameters Menu

The **FTP Reporting Parameters Menu** provides options to set up FTP parameters for a specific FTP server. From the Session x Configuration Menu, select FTP Reporting Parameters Menu.

```

STC Model 2600 AEI Reader, Site Name: AEI Site 123
Wed Feb 22 10:42:03 EST 2023
Session 1 Configuration Menu
-----
A) Auto Reporting           : Enabled
B) Site ID                 : CRMWLB2
.
.
Q) FTP Reporting Parameters Menu
S) S-9203A Report Options Menu
P) Print Session Settings
X) Exit Menu
  
```

The 'FTP Reporting Parameters Menu' provides for configuring, for a session, the connection and login information associated with an FTP server that the 2600 is intended to report to.

```

STC Model 2600 AEI Reader, Site Name: CromwellRd
Wed Feb 22 10:44:03 EST 2023
FTP Reporting Parameters Menu
-----
A) Login ID                : aeireader
B) Password                : *****
C) Destination Directory   : Public/cromwell
D) Host Name|IP            : 184.174.165.45
X) Exit Menu
?
  
```

Login ID	This parameter is used to specify the login ID expected by the FTP server to which this session directs T94 reports.
Password	This parameter is used to specify the password expected by the FTP server to which this session directs T94 reports.
Destination Directory	This parameter is used to specify a directory on the remote FTP server to which this session directs T94 reports, to which reports are to be routed.
Host Name IP	This parameter is used to specify the name or IP address of the remote FTP server to which this session directs T94 reports.

7.7.2.2 S-9203A Report Options Menu

The **S-9203A Report Options Menu** provides options for configuring certain aspects of the formatting of the S-9203A (T94) reports. From the Session x Configuration Menu, select S-9203A Report Options Menu.

```
STC Model 2600 AEI Reader, Site Name: AEI Site 123
Wed Feb 22 10:48:03 EST 2023
Session 1 Configuration Menu
-----
A) Auto Reporting           : Enabled
B) Site ID                  : CRMWLB2
.
.
.
R) S-9203A Report Options Menu
S) FTP Reporting Parameters Menu
P) Print Session Settings
X) Exit Menu
```

The 04/2020 revision of the specification S-9203A added new report segments and changed the fields width of one existing field in a segment type required for all reports generated per the specification. The 2600 AEI Reader provides for optionally enabling and configuring the changes incorporated in the 04/2020 revision.

```
STC Model 2600 AEI Reader, Site Name: CromwellRd
Wed Feb 22 10:50:13 EST 2023
S-9203A Report Options - Session 1 Menu
-----
A) Report Field Delimiter   : -
B) RRE Axle-Count Field Size : 2
C) Include RTD Segments     : Disabled
D) Include TDM Segments     : Enabled
E) Include DCL Segments     : Enabled
F) Configure DCL Segment Options
X) Exit Menu
?
```

Report Field Delimiter	<p>This parameter is used to specify what character (if any) is to be used to delimit the fields in the T94 reports. Select this option from the menu, and the following prompt appears:</p> <pre>Current Report Delimiter: (space) Enter New Report Delimiter:</pre> <p>When this prompt appears, select any printable character by pressing that key on the keyboard. Pressing the spacebar causes a space to be used. Pressing <Enter> causes the system not to insert a delimiter between report fields. If no delimiter is selected, "(null)" appears as the setting for the Report Delimiter option.</p> <p>Note: this option existed prior to release of the revision 04/2020 of S-9203A</p>
RRE Axle-Count Field Size	<p>The AAR specification S-9203A includes a change to the width of the "Axle Count" field in the RRE segment – from two characters to three characters. In order to support "legacy" applications that are reliant on the two-character width of this field, the RRE Axle-Count Field Size option is provided to allow the user to choose between the two-character and three-character widths.</p>
Include RTD Segments	<p>When this option is set to "Enabled," then "Raw Tag Data" (RTD) segments will be added to all S-9203A reports printed and reported, as indicated by the AAR specification S-9203A.</p>
Include TDM Segments	<p>When this option is set to "Enabled," then "Tag Detail Management" (TDM) segments will be added to all S-9203A reports printed and reported, as indicated by the AAR specification S-9203A.</p>
Include DCL Segments	<p>When this option is set to "Enabled," then "Dynamic Configuration/Location" (DCL) segments will be added to all S-9203A reports printed and reported, as indicated by the AAR specification S-9203A.</p>
Configure DCL Segment Options	<p>There are nine different possible DCL Segment types available for optional inclusion in each S-9203A report generated. Each of these segment types has available fields for specifying equipment type, manufacturer, software version, etc. The "Configure DCL Segment Options" option provides for specifying the contents of these fields.</p>

The DCL segment types defined in the 04/2020 revision of S-9203A are:

ANT0	Antenna 0
ANT1	Antenna 1
TRD0	Transducer / Wheel Detector 0
TRD1	Transducer / Wheel Detector 1
CPU0	Main AEI processor
CPU1	Secondary processor
PRES	Presence detection
HUT	Enclosure for the AEI Reader
LIC	FCC License

The fields which can be specified for each of the above segment types are:

Site Configuration	Indication of number of tracks at location; single/double/triple
Latitude	GPS Latitude
Longitude	GPS Longitude
Asset Type/Model	Make/model of asset (blank if unknown)
Asset Manufacturer Name	Manufacturer's name (blank if unknown)
Asset Version	Any applicable version information (blank if unknown or not applicable)
Vendor-specific Identifier or Serial number	Free-form identifier or serial number (blank if unknown)
Other / Description	Free-form field which can be used to id vendor/device specific configuration details (blank if unknown)

DCL Segment Configuration Menu

This menu provides for specifying which of the different DCL segment types is to be included in S-9203A reports and for entering the user-configurable fields for them.

```

STC Model 2600 AEI Reader, Site Name: AEI Site 123
Wed Feb 22 10:42:03 EST 2023
DCL Segment Configuration Menu - Session 1
-----
A) Site GPS Coordinates (35.067591, -85.207558)
B) LIC Segment (enabled)
C) ANT0 Segment (disabled)
D) ANT1 Segment (disabled)
E) TRD0 Segment (disabled)
F) TRD1 Segment (disabled)
G) CPU0 Segment (enabled)
H) CPU1 Segment (enabled)
I) PRES Segment (disabled)
J) HUT Segment (disabled)
K) Set Default Values
P) Print DCL Configuration
X) Exit Menu
?

```

Site GPS Coordinates Menu

This option provides for specifying the GPS location coordinates for the AEI site.

```
STC Model 2600 AEI Reader, Site Name: AEI Site 123
Wed Feb 22 10:42:03 EST 2023
Site GPS Coordinates Menu (35.067591, -85.207558) Menu
-----
```

```
A) Latitude           : 35.067591
B) Longitude          : -85.207558
X) Exit Menu
```

?

Note that each of the different DCL segment types can be configured with different/specific GPS coordinates. The "Set Default Values" option on the DCL Configuration Menu provides for defaulting these values to those entered here for the site-level GPS coordinates.

DCL Segment Parameters Menu Example

```
STC Model 2600 AEI Reader, Site Name: AEI Site 123
Wed Feb 22 10:42:03 EST 2023
Set DCS Segment Parameters Menu - CPU0 Segment Menu
-----
```

```
A) Report This Segment      : Yes
B) Latitude                  : 35.067591
C) Longitude                 : -85.207558
D) Manufacturer              : STC
E) Model                     : FEP Board
F) Version (software)       : ML1.2
G) Serial Number/Identifier  : S/N 12345
H) Description               : Track hardware I/O
X) Exit Menu?
```

Set Default Values Option – Dialog Example

```
STC Model 2600 AEI Reader, Site Name: AEI Site 123
Wed Feb 22 10:44:03 EST 2023
DCL Segment Configuration Menu - Session 4 Menu
-----
  A) Site GPS Coordinates (35.067591, -85.207558)
  B) LIC Segment (disabled)
  .
  .
  K) Set Default Values
  P) Print DCL Configuration
  X) Exit Menu
? K

Set all segment values to default values for Session 4 (y/n)?: y

Set ALL Lat/Long field values to site GPS coordinate values (y/n)?: y
==> LIC
==> ANTO
==> ANT1
==> TRD0
==> TRD1
==> CPU0
==> CPU1
==> PRES
==> HUT
```

7.7.2.3 Print Session Settings

```
STC Model 2600 AEI Reader, Site Name: AEI Site 123
Wed Feb 22 10:49:03 EST 2023
Session 1 Configuration Menu
-----
  A) Auto Reporting           : Enabled
  B) Site ID                  : CRMWLB2
  .
  .
  Q) FTP Reporting Parameters Menu
  S) S-9203A Report Options Menu
  P) Print Session Settings
  X) Exit Menu
?
```

The "Print Reporting Session Settings" option can be used to print out all of the applicable settings configured for the current session.

```
=====
Reporting Session Settings - Session 1
=====
Auto Reporting           : Enabled
Site ID                  : CRMWLB2
AAR Billing Code         : 18181
Time Zone                : 5
Units Of Measure        : English
Reporting Protocol      : ftp
Report Reverse-out Trains : Enabled
Train Dir To Report First : North
Max Retry Attempts      : 3
Retry Delay Time        : 3
Minimum Axle Count      : 4
Synch. Clock With Host   : Enabled
Header                   : None

FTP Reporting Parameters
-----
Login ID                 : AEIReporter
Password                 : *****
Destination Directory    : public/S-9203A_reports
Host Name|IP             : 185.134.105.145

S-9203A Reporting Options
-----
Report Field Delimiter   : -
RRE Axle Count Field Size : 3
Include RTD Segments     : Disabled
Include TDM Segment      : Enabled
Include DCL Segment      : Enabled

>> Print S-9203A DCL segment parameter configuration? (Y/N:) y
>> Print DCL configuration in table form? (Y/N:) n

DCL Segment Configuration - Session 1
-----
DCL Segment Type: LIC
-----
Report This Segment      : Yes
Latitude                 : 35.067591
Longitude                 : -85.207558
Manufacturer              :
Model                     :
Version (software)       :
Serial Number/Identifier  :
Description               : FCC License

DCL Segment Type: ANTO
-----
Report This Segment      : No
Latitude                 : 35.067591
Longitude                 : -85.207558
Manufacturer              :
Model                     :
Version (software)       :
Serial Number/Identifier  :
Description               :
.
.
.
```

7.7.3 Maintenance Session x Configuration Menu

The **Maintenance Session x Configuration Menu** provides access to parameters that affect how a maintenance report gets reported and, to a limited extent, how the consist report is formatted.

```

STC Model 2600 AEI Reader, Site Name: CromwellRd
Fri Mar 3 15:09:42 EST 2023
Maintenance Session 1 Configuration Menu
-----
A) Auto Reporting           : Disabled
B) Site ID                 : CROMWEL
C) AAR Billing Code        : 00000
D) Time Zone              : 06
E) Report Delimiter       : |
F) Phone Number           : (null)
G) Baud Rate              : 19200
H) Reporting Protocol     : ftp
I) Reporting Interval (hh:mm) : 01:00
J) Retry Delay Time (minutes) : 3
K) Extended Delay (minutes) : 20
L) Include Century Field  : No
M) Use Extended (STC) Code List : Yes
N) Synch. Clock With Host : Enabled
O) Header                 : None
P) Login ID               : aeireader
Q) Password               : (null)
R) Destination Directory  : ftp/Cromwell
S) Host Name|IP           : 192.168.165.45
X) Exit Menu
?

```

Maintenance Session X Configuration Menu Example- Session 1

Maintenance Session x Configuration Menu	
Auto Reporting	This parameter is used to activate and deactivate the reporting session. When set to "Enabled," the 2600 Controller attempts to transmit maintenance reports as scheduled by this session.
Site ID	This parameter specifies the "official" identifier for the AEI reader site as far as the reporting session is concerned. This specified identifier is used to populate a field in the header (AMH record) of the maintenance reports generated for this session.
AAR Billing Code	This parameter corresponds to another field in the header (AMH record) of the maintenance reports generated for this reporting session. The AAR Billing Code loosely identifies the railroad that the reporting session is configured to report to or for.
Time Zone	This parameter is used to specify the time zone for the 2600 site. When selected, the following prompt appears; Enter New Time Zone (Eastern=5 Central=6 Mountain=7 Pacific=8)

Report Delimiter	<p>This parameter is used to specify what character (if any) is to be used to delimit the fields in the maintenance reports generated in association with the reporting session. When selected, the following prompt appears:</p> <p>Current Report Delimiter: (space) Enter New Report Delimiter:</p> <p>After the prompt, specify any printable character by pressing that key on the keyboard. Pressing the spacebar will cause a space to be used. Pressing <Enter> will cause the system to not insert a delimiter between report fields. If no delimiter is selected, "(null)" appears as the setting for the Report Delimiter option.</p>
Phone Number	<p>This option is used to specify the phone number that the site is to use when attempting to deliver maintenance reports for this reporting session. This parameter applies only when a dial-out (either landline or cellular) modem is installed in the system.</p>
Baud Rate	<p>This option is used to specify the baud rate the system modem is to use when initiating a dial-out connection with a remote modem. The specified baud rate is the maximum baud at which a connection is made.</p>
Reporting Protocol	<p>This parameter is used to specify which predefined protocol is used when transmitting maintenance reports to a remote server/computer. When this option is selected, a menu similar to the following appears:</p> <pre>STC Model 2600 AEI Reader, Site Name: Cromwell Fri March 3 15:28:10 EDT 2023 Current Reporting Protocol (ns) Menu ----- A) bnsf B) cn-ftp C) cn D) cp E) csx F) dial-and-dump G) ftp H) ns-http I) ns J) ptra K) up L) xmodem X) Exit ? _</pre>
Reporting Interval	<p>This parameter is used to specify the amount of time that should elapse between the 2600 Controller's attempts to transmit a maintenance report. For instance, if the Reporting Interval was set to 02:00 (2 hours), the 2600 Controller would attempt to transmit a maintenance report every two hours.</p>
Retry Delay Time	<p>This parameter is used to specify the amount of time, in minutes, that the 2600 Controller is to wait between failed attempts to transmit a maintenance report to the server/computer referenced by this session. The Retry Delay Time comes into play only when the 2600 Controller makes an attempt to transmit a maintenance report as scheduled by the Reporting Interval parameter, and the attempt fails (for instance, if the dialed phone number is busy).</p>

Extended Delay	This parameter is used to specify a waiting period for the 2600 Controller in the case where it is having difficulty establishing a connection with a remote server/computer. If, after five attempts, the 2600 Controller fails to transmit a maintenance report successfully, it then waits for the specified Extended Delay time before making the next attempt.
Include Century Field	Some versions of the S-918 specification included a requirement for a two-digit field that specifies the year/century of the date that a maintenance report is generated. This parameter provides the option of either including this field or omitting it.
Use Extended (STC) Code List	The AEI Users Group (membership is primarily Class I Railroad representatives) has published an informal list of possible alternative, vendor-specific "maintenance issue" codes that can be used in the generation of maintenance reports. This parameter provides the option to use the historic/standard code list or to use the AEI User Group's alternative, vendor-specific code list.
Synch. Clock with Host	This parameter is used to specify whether the 2600 Controller is to synchronize its clock with that of the remote server using a timestamp supplied by the server. The referenced timestamp must be one that is supplied via the predefined reporting protocol selected for this reporting session.
Header	This parameter is used to specify a line of text that is to precede any maintenance report delivered in accordance with this reporting session. Some of the available, predefined reporting protocols require a header in a specified format. For those reporting protocols that do not require it, this parameter will be ignored.
Login ID	This parameter is used to specify a login id that is expected by the server/computer to which this session directs maintenance reports in accordance with the selected reporting protocol. For those reporting protocols that do not require it, this parameter will be ignored.
Password	This parameter is used to specify a password that is expected by the server/computer to which this session directs maintenance reports in accordance with the selected reporting protocol. For those reporting protocols that do not require it, this parameter will be ignored.
Destination Directory	This parameter is used to specify a directory on the remote server/computer to which this session directs maintenance reports (in which reports are to be routed in accordance with the selected reporting protocol, e.g., where the FTP protocol has been specified). For those reporting protocols that do not require it, this parameter will be ignored.
Host Name IP	This parameter is used to specify the name or IP address of the remote server/computer to which this session directs maintenance reports. This parameter applies only to those reporting protocols that employ an Ethernet connection and/or IP protocol to deliver T94 reports. For those reporting protocols that do not require it, this parameter will be ignored.

7.8 System Functions Menu Details

The **System Functions Menu** below presents system-level configuration and housecleaning options. This menu is available from the **Main Menu**. *Options H, I, J, K, and L shown on this menu are present only when a user is logged in with the “system” ID.*

```

STC Model 2600 AEI Reader, Site Name: AEI Site 123
Wed Feb 22 10:42:03 EST 2023
System Functions Menu
-----
A) Configure Network Interfaces Menu
B) Configure time synch with NTP Server
C) Delete All Train Data
D) System Reset Menu
E) Telnet Pass-Thru
F) Serial Pass-Thru
G) Reader Module Direct Comm. Link (Manual RF Functions)
H) Passwords Menu
I) Software Update
J) Override FEP CRC Check
K) Change Telnet Port Number
L) Change Secure Shell (SSH) Port Number
P) Ping
Q) Request Status Update From FEP
T) Track Hardware Signal Status
X) Exit Menu

```

System Functions Menu

System Functions Menu Details	
Configure Network Interfaces	Presents the parameters required to communicate via an Ethernet (TCP/IP) network. This menu would apply (for example) to those cases where consist or maintenance reports are transmitted via the FTP protocol.
Configure time synch with NTP Server	The Network Time Protocol (NTP) provides a means for synchronizing a computer's clock with a known good source that is accessible via a network connection. Through this option, an NTP server can be used to ensure the accuracy of the 2600 Controller's clock.
Delete All Train Data	Provides a means for clearing out the Model 2600 Controller's train data directory.
System Reset Menu	Provides options for resetting/rebooting various system components – the Front End Processor (FEP), the IPC, and the MPR(x).
Telnet Pass-Thru	Provides a means for communicating via Telnet with other Model 2600 Controllers (or other devices) that are connected via a local Ethernet network. (e.g., at a double-track location)
Serial Pass-Thru	Provides a means for communicating with a device that's connected to the Model 2600 Controller's COM2 serial port.
Reader Module Direct Comm. Link	Provides a means for communicating directly with the system's tag reader module. These options are provided for troubleshooting purposes.
Passwords	Provides the means for changing the passwords for each of the different system login identifiers – guest, tech, and system.
Software Update	Provides a means for updating the Model 2600 Controller's system software.

System Functions Menu Details, cont.

Override FEP CRC Check	This option is normally required only during the manufacturing process the first time a system is powered up.
Change Telnet Port Number	This option allows editing of Telnet Port Number (the port on which the 2600 listens for Telnet connections).
Change SSH Port Number	This option allows editing of SSH Port Number (the port on which the 2600 listens for Secure Shell connections).
Ping	This option provides the user with the ability to specify the address of another computer to send a ping request to.
Request Status Update From FEP	This option provides for an on-demand request from the FEP of the status of the parameters that it monitors.
Track Hardware Signal Status	Provides a series of snapshots of the state of the wheel detector and presence inputs. The FEP board provides these snapshot samples periodically. The frequency and timeliness of these snapshots are dependent upon the current setting of the system setup parameter, "Train Scanning" and the version of the FEP's firmware.

7.8.1 Network Interfaces Configuration Menu

The Network Interfaces Configuration Menu provides access to the menus that enable to setup of the Model 2600 Controller's two Ethernet ports as well as the system's Domain Name Server(s) (DNS).

```
STC Model 2600 AEI Reader, Site Name: CromwellRd
Tue Feb 28 13:38:37 EST 2023
Network Interfaces Configuration Menu
-----
A) LAN Interface (Inactive)
B) WAN Interface (Active)
C) DNS Name Servers (Optional)
D) WAN Connectivity Watchdog:      Disabled
E) WAN Watchdog Target Address:   (null)
F) Load Default Settings
X) Exit Menu
?
```

The **LAN** network interface is intended for interconnection between multiple Model 2600 Readers co-located at a multi-track location.

The **WAN** network interface is intended for connecting a Model 2600 Reader to a customer's network for data reporting purposes.

Network Interfaces Configuration Menu

Selecting either **A** or **B** from this menu will cause the **Configure xAN Menu** to be generated with the appropriate interface (LAN or WAN) parameters presented. The **Configure LAN/WAN Menu** is shown below.

Selecting **C** from this menu will cause the **Configure DNS Name Servers** menu to be presented. This menu is also shown below.

7.8.1.1 Configure LAN/WAN Interface Menu

The figure below depicts an example of the **Configure LAN Interface Menu**. It is used to specify the configuration of the LAN network interface. The **Configure WAN Interface Menu** is identical.

```
STC Model 2600 AEI Reader, Site Name: CromwellRd
Tue Feb 28 13:40:13 EST 2023
(Inactive) Configure LAN Interface Menu
-----
A) IP Assignment           : Disabled
B) IP Address              : 10.14.22.204
C) Subnet Mask             : 255.255.255.0
X) Exit Menu
?
```

Configure LAN Interface Menu

The **IP Assignment Menu** item provides the means for specifying how an IP address is assigned to the interface (WAN or LAN) that is being configured. The options available for the IP Assignment item are:

- Static
- Dynamic (DHCP)
- Disabled

To select one of these options, press 'A' on your keyboard to cause the system to cycle through them until the desired option is displayed. When you exit the **Configure LAN/WAN Interface Menu**, the option that is displayed will be implemented by the system. If a change has been made, the network interfaces will be stopped and restarted to implement the selected settings.

The **IP Address Menu** item presents a simple dialog for entering an IP address for the interface. However, if the **IP Assignment** option has been set to **Dynamic DHCP**, the system will not allow you to enter an address.

The **Subnet Mask** and **Default Gateway** menu items each present a simple dialog, allowing you to enter an IP address.

7.8.1.2 Configure DNS Name Servers Menu

```
STC Model 2600 AEI Reader, Site Name: CromwellRd
Tue Feb 28 13:41:02 EST 2023
Configure DNS Name Servers Menu
-----
```

```
A) Primary DNS Server      : 192.168.0.1
B) Secondary DNS Server   : 192.168.0.1
C) Tertiary DNS Server    :
X) Exit Menu
```

```
?
```

Configure DNS Name Servers Menu

The **Primary DNS Server**, **Secondary DNS Server**, and **Tertiary DNS Server Menu** items each present a simple dialog that allows you to enter an IP address. Where the DHCP IP Assignment is selected, in most cases, the DNS Name Server setting(s) will be configured when the 2600 receives its address information from the DHCP server.

7.8.1.3 WAN Connectivity Watchdog

The 2600 can be configured to periodically test its ability to connect to other devices on the network. In some cases (usually when a cellular router is being used for network connectivity), restarting the 2600's network interfaces can restore network connectivity when it's been lost. To activate this function, set the **WAN Connectivity Watchdog** option to Enabled. You will also need to enter the IP address of a device on the network that the 2600 can ping in order to test/confirm its connectivity status for the **WAN Watchdog Target Address** option.

7.8.1.4 WAN Watchdog Target Address

When the **WAN Connectivity Watchdog** option is enabled, the IP address of a device connected to the same network as the 2600 must be entered for the **WAN Watchdog Target Address** option. The target device must be capable of responding to a ping request.

7.8.2 Configure Time Synch With NTP Server

This option provides a method for periodically synchronizing the clock on the 2600 with a network time server. When this option is chosen, a dialog similar to the following will be presented.

```
*
* Current NTP Server Address: None
*
* A) Specify a (different) NTP Server
* B) Disable NTP Time Synchronization
* C) Synchronize System Time Now
* X) Exit
* ?
```

When the **Current NTP Server Address** indicates “None”, the clock synchronization function is disabled.

To modify the current NTP server address, select option A. The following prompt will be displayed:

```
* Enter NTP server address (to quit, just press <Enter>):
```

Type in an address at the prompt, and press ENTER.

```
* Enter NTP server address (to quit, just press <Enter>): us.pool.ntp.org
```

A confirmation prompt will be displayed.

```
* Establish NTP time synch. with server: us.pool.ntp.org ?  
* (Y/N):
```

Type ‘Y’ to confirm that the indicated IP address is correct.

The 2600 will test for connectivity with an NTP server at the IP address and will update the Reader’s clock if successful.

```
*  
* Testing connection to us.pool.ntp.org ...  
* Was able to connect to us.pool.ntp.org ...  
* Setting up time synch. process with us.pool.ntp.org ...  
* ... done.  
*
```

When a valid NTP server address has been entered, the 2600 will attempt to synchronize its clock hourly.

7.8.3 Delete All Train Data

This option provides for clearing out all of the train data currently stored on the Reader. Note that, **once deleted, the train data cannot be recovered.**

When this option is selected, the following prompt is presented:

```
*****
*  DELETE ALL STORED TRAIN DATA ???  *
*****
*  Type "Yes" to delete data:         *
```

If "Yes" is entered in response to this prompt, all stored train data will be deleted.

```
*
*  Deleting data ...
*
*  Done.
*
```

7.8.4 System Reset Menu

This option provides for resetting the Reader's internal processor boards.

```
STC Model 2600 AEI Reader, Site Name: AEI Site 123
Tue Mar 21 08:25:39 EDT 2023
System Reset Menu
-----
*  A) Reboot IPC only
*  B) Reboot FEP Only
*  C) Reset AI1200 Reader Board
*  X) Exit Menu
?
```

7.8.5 Telnet Pass-Thru

This option provides for connecting with another 2600 Reader that is available through the Reader's LAN port. At multi-track sites, one or more 2600 Readers should be connected to a local Ethernet network (via a network switch) so that they can share pertinent consist data. When this option is selected, and there are 2600 Readers available, a prompt similar to the following will be presented:

```
Tue 21-03-2023, 10:20:22, EDT
Telnet Passthru Menu
-----
*
* Detectors Available = 2
*
* 1) Track 2          10.15.22.102
* 2) Track 3          10.15.22.103
*
*
* Choose a detector from the list above -OR-
* press 0 (zero) to specify another ip:
```

If one of the presented options is selected, the 2600 will prompt for the TCP port required to connect to the other Reader.

```
*
* Selected ip = 10.15.22.103
* Specify port (23):
```

Press Enter to accept use of the default port number (23), or enter a different port number. The 2600 will then attempt to connect to the other Reader.

```
*
* Trying address 10.15.22.103 on port 23
*
Trying 10.15.22.103...
Connected to 10.15.22.103
```

If a connection to the other Reader is successfully made, the login prompt for the other Reader will be presented:

```
Southern Technologies Corp.
SmartSCAN 2600 AEI Reader

Enter "guest" or "tech" To Proceed
debian login:
```

7.8.6 Serial Pass-Thru

This option provides for communicating with a device connected to the Reader's COM2 serial port. When this option is selected, the following prompt will be displayed:

```
Starting pass-thru mode. Type "EXIT" to quit.
```

At this point, if a device is connected to the COM2 serial port, you will be communicating directly with that device. When finished, type "EXIT" to return to the 2600 Reader's menus.

7.8.7 Reader Module Direct Comm. Link

This option provides for communicating directly with the tag reader device currently connected to the 2600 Reader. The connected device would usually be one of three possible Transcore AEI tag readers – an MPRX, MPRR, or AI1200/AR2200. When this option is selected, the following menu is presented:

```
STC Model 2600 AEI Reader, Site Name: AEI Site 123
Tue Mar 21 09:08:35 EDT 2023
Reader Module Comm. Link Menu
-----
A) Open Comm.s Channel With Reader Module
B) Turn on RF - Antenna 0
C) Turn on RF - Antenna 1
D) Turn on RF - Multiplexed
X) Exit Menu
?
```

Option A provides for querying the tag reader device using commands found in the command set specified for the connected device by TransCore.

Options B, C, and D provide simplified methods for commanding the tag reader device to activate its transmitter in different modes. When the tag reader is so activated, the raw data for any tags read will be displayed.

7.8.8 Passwords Menu

This menu provides for changing the passwords for each of the system defined user accounts.

```
STC Model 2600 AEI Reader, Site Name: CromwellRd
Mon Mar 20 16:50:29 EDT 2023
Passwords Menu
-----
A) Set guest account password
B) Set tech account password
C) Set system account password
D) Clear guest account password
E) Clear tech account password
F) Clear system account password
X) Exit Menu
?
```

Options A, B, and C are used to change the password for each of the specified login identifiers. When one of these options is selected, a dialog similar to the following will result:

```
Enter new UNIX password:
Retype new UNIX password:
passwd: password updated successfully
```

Options D, E, and F provide for effectively disabling access to the Reader via the specified login identifiers. When one of these options is selected, the Reader will erase the password for the indicated login account and will confirm this with the message, "Password changed."

7.8.9 Software Update

The **Software Update** option provides for installing system software updates provided by STC.

Software update packages can be transferred to a 2600 Reader via

- ZMODEM through one of the Reader's RS232 (serial) ports
- ZMODEM over Telnet
- File transfer upload to the Reader's onboard SFTP server.

Once an update package has been transferred to the Reader, the package will remain stored on the Reader until it is selected for installation via the **Software Update** option.

When the **Software Update** option is selected, the Reader presents the following prompt:

```
The "Update System Software" option has been selected.
The software update process entails the transfer of a file to the AEI reader
via the Zmodem transfer protocol and then the installation of the
software/firmware update(s) in the system.

Perform a system software update now? (Y/N):
```

A 'Y' response to the above prompt will result in a prompt similar to the following dialog:

```
-----
Found the following files in the Updates directory.
These are potential candidates for software updates.
Where Status = "Ok" and Type = "Primary", or Type = "Binary Image", the
listed file can be used to initiate an update.

      File Name                               Status      Type
1) Update_NTRR_20210526.tar.gz              Ok           Primary Archive

The above listed files can be:
- used to initiate a software update
  (where Type = "Primary" or type = "Binary Image")
- archived (moved to an updates archive directory)
- deleted

Choose a file (number) to operate on -OR-
press "U" to upload another file or "X" to exit:
```

To install a listed update package, choose the number to the left of the package file name. In this case, '1' would be selected as "Update_NTRR_20210526.tar.gz", which is the only update package available on the Reader. Selecting an update package in this way will result in the following prompt:

```
File selected: Update_NTRR_20210526.tar.gz
Choose one: (A)rchive or (P)rocess or (D)elete or (Q)uit :
```

At this point, press 'P' to process (install) the software update, and then press 'Y' in response to the "Are you sure ?" prompt as shown below.

```
Are you sure ???  
Update the system software with: Update_NTRR_20210526.tar.gz (Y/N):
```

At this point, the Reader will initiate the software update process and will print progress messages to the terminal as it proceeds.

7.8.10 Override FEP CRC Check

This option is used only during the manufacturing process during the initial installation of the system software. It has no application during normal operations.

7.8.11 Change Telnet Port Number

This option makes it possible to change the TCP port on which the Reader listens for incoming Telnet connections.

When the "Telnet Port Number" option is selected, the user is presented with the current port number for the Telnet service and then is asked whether the port number is to be changed.

```
Currently the tcp port used for the Telnet protocol is: 23  
Change the port used for the Telnet protocol (Y/N)?: Y
```

If a 'Y' or 'y' is entered in response to the prompt shown above, the user is prompted to enter the port number and then to confirm the number entered, as shown below.

```
Enter the new port number now: 8002  
8002 was entered.  
Set the telnet port number to 8002 (Y/N)?: Y
```

If the user confirms the intent to change the 2600's Telet port to the number that was entered, then the 2600 will make the change. An example of a successful update of the Telnet port number will be presented, as shown below.

```
The telnet port number has been changed to: 8002  
Restarting the telnet server now ...  
Verifying restart of the telnet server ...  
The telnet server was successfully restarted.
```

7.8.12 Change Secure Shell (SSH) Port Number

When the “Change Secure Shell (SSH) Port Number” option is selected, the user is presented with the current port number for the Secure Shell service and then is asked whether the port number is to be changed.

```
Currently the tcp port used for the Secure Shell (SSH) protocol is: 22  
Change the port used for the SSH protocol (Y/N)?: y
```

If a ‘Y’ or ‘y’ is entered in response to the prompt shown above, the user is prompted to enter the port number and then confirm the number entered, as shown below.

```
Enter the new port number now: 8001  
8001 was entered.  
Set the SSH port number to 8001 (Y/N)?: y
```

If the user confirms the intent to change the 2600’s Secure Shell (SSH) port the number that was entered, then the 2600 will make the change. An example of a successful update of the SSH port number will be presented, as shown below.

```
Setting the Secure Shell (SSH) port number to: 8001  
Verifying port number change ...  
The SSH port configuration was successfully changed. Port number = 8001  
Restarting the SSH server daemon ...  
The Secure Shell (SSH) daemon was successfully restarted.
```

7.8.13 Ping

In general, the ping function is a computer network software utility used to test the reachability of other computers on an IP network. The “Ping” option on the 2600’s System Functions menu provides the user with the ability to specify the address of another computer to send a ping request to. When executed, the 2600 presents a message indicating the success or failure of the attempt to ping the remote computer.

An example of a successful ping attempt dialog between a user and the 2600 is shown below.

```
Ping a remote device (Y/N)?: y
Enter address to ping: www.google.com
Ping this address now www.google.com (Y/N)?: y
Attempting to ping www.google.com now ...
... this could take as long as 10 seconds ...
Ping attempt summary: 3 packets transmitted, 3 received, 0% packet loss,
time 2002ms
Ping results [0]: Ping was SUCCESSFUL!
```

7.8.14 Request Status Update From FEP

The Front End Processor (FEP) board periodically sends status messages to the IPC board, which include things like whether a train is currently present, current battery and internal power supply voltages, the type of the connected (Transcore) tag reader module, etc.

This **Request Status Update From FEP** option provides for an on-demand request from the FEP of the status of the parameters that it monitors. When selected, the Reader will respond with:

```
*
* Request for status message was sent to FEP.
*
```

Once requested, the FEP board should respond with a status update within 30 seconds, after which the System Status Report (available from the Reports Menu) will reflect (in part) the current status of the FEP board.

7.8.15 Track Hardware Signal Status

In normal operations, the “Train Scanning” option (see the **Setup Menu**) is set to Enabled. When in this mode, the 2600 Controller collects the data for trains that cross the AEI site. If this option is set to Disabled, then the 2600 Controller ignores any activation of the wheel detector and Presence inputs; thus, no trains are recorded when in this mode. This mode of operation provides for near real-time snapshots of the status of these system inputs. These snapshots are posted in ten-second intervals.

When the “Train Scanning” option is set to Disabled, and the Track Hardware Signal Status option is selected from the **System Function Menu**, then a display similar to the following is presented.

If the FEP firmware version is equal to or older than **ML0.6b 01/10/12**, the FEP provides snapshot samples to the IPC (to be presented here) every 60 seconds. Newer FEP firmware, such as the version below, provides status updates every ten seconds.

```

FEP Firmware Version = ML1.3 10/09/19
Train Scanning       = Enabled

Continue (Y/N)? :
Y

Press any key to halt the status updates. Will quit after 10 minutes.

Track Hardware Signal Status                                Timestamps
-----
T01 T02 T03 T04 Pres | Sample: Feb 28 14:35:21 2023
--- --- --- --- ---- | Now: Feb 28 14:43:26 2023
Off Off Off Off Off |
|
T01 T02 T03 T04 Pres | Sample: Feb 28 14:35:21 2023
--- --- --- --- ---- | Now: Feb 28 14:43:32 2023
Off Off Off Off Off |
|
T01 T02 T03 T04 Pres | Sample: Feb 28 14:35:21 2023
--- --- --- --- ---- | Now: Feb 28 14:43:38 2023
Off Off Off Off Off |
|
T01 T02 T03 T04 Pres | Sample: Feb 28 14:35:21 2023
--- --- --- --- ---- | Now: Feb 28 14:43:44 2023
Off Off Off Off Off |

```

Track Hardware Signal Status Snapshot Examples

In the figure above, the columns on the left display the status of the wheel detector and Presence system inputs. The right-hand column provides the timestamp for when the input sample was provided by the FEP and, for comparison, the time at which the sample update was “posted” to the screen. If, for instance, the sample timestamps were not continuously increasing, then either the “Train Scanning” option is not set to Disabled or communications between the FEP board and the IPC board have broken down.

7.9 SNMP Menu

The **SNMP Functions Menu** below presents system-level configuration options. This menu is available from the **Main Menu**.

```
SNMP Configuration Menu
-----
[A] - Traps Disabled: No
[B] - Get SNMP Engine ID
[C] - Trap Destination: 192.168.1.2:162
[D] - Trap Site ID: abc.def.ghi.jk
[E] - Generate Test Trap
[F] - Change Alarm Settings
[G] - Restore Default Alarm Settings
[H] - Reset default SNMP user and password
[I] - SNMP v2: Enabled
[J] - Manually Clear An SNMP Alarm
[K] - Clear The SNMP Database
[X] - Exit
```

7.9.1 Traps Disabled

The **Traps Disabled** option is used to enable or disable the SNMP trap reporting functions. When set to “No,” the 2600 will transmit SNMP trap messages to a remote SNMP manager/server. When the option is set to “Yes,” the 2600 will not attempt to communicate with a remote SNMP manager.

```
SNMP Configuration Menu
-----
[A] - Traps Disabled: No
[B] - Get SNMP Engine ID
[C] - Trap Destination: 192.168.1.2:162
.
.
.
[K] - Clear The SNMP Database
[X] - Exit
```

To change the Traps Disabled setting, select the option. This prompt will appear.

```
Are you sure you want to disable traps? (y/n) y
Success
```

Type **Y** to disable traps or **N** to not change.

7.9.2 Get SNMP Engine ID

The **Get SNMP Engine ID** option uniquely identifies the 2600 reader to an SNMP host. Partially derived from the MAC address of the reader's WAN network interface (not user configurable).

Select the option to display SNMP Engine ID, A message like this appears:

```
Engine ID: 8000042E030004BFB029BA
```

7.9.3 Trap Destination

The Trap Destination is used to specify the IP address and port number of the remote SNMP host.

Select the option to change the current settings. A prompt like this appears:

```
Enter new Trap Destination IP address: 10.14.22.240
Enter new Trap Destination port (default is 162):
Successfully updated trap destination
Agent must restart to apply changes
The agent is restarting.....
Agent has restarted
```

7.9.4 Trap Site ID

Select the Trap Site ID option to enter or change the current setting. A prompt like this appears:

```
Enter new Trap Site ID:
```

7.9.5 Generate Test Trap

The Generate Test Trap option initiates a test trap which triggers the transmission of a trap message to the remote SNMP host.

Select this option to generate a test trap. A prompt like this appears:

```
Are you sure you want to send a test trap? (y/n)y
Test trap: Success
```

7.9.6. Change Alarm Settings

The Change Alarm Settings option changes the parameters that control which traps get reported by the 2600 AEI reader and under what conditions. This menu presents 10 alarm/trap types at a time. Select A or L to page up or page down, respectively, in the list of available trap types. The trap types are ordered according to the trap-id numbers assigned to the different trap types. There are a total of 57 trap types that the 2600 AEI Reader can generate and transmit to the remote host.

Change Alarm Settings Menu Examples:

```
Alarm Settings Table
-----
[A] -
[B] - Unit Startup
[C] - General Info
[D] - Presence Startup
[E] - Presence Clear
[F] - Modem Connect Error
[G] - No Remote Response
[H] - No Response Match
[I] - Data Accepted
[J] - Line Busy
[K] - AC_Pwr_Restored
[L] - <Page down>
[X] - Exit
L                <- page down option selected

Alarm Settings Table
-----
[A] - <Page up>
[B] - No Dial Tone
[C] - No Answer
[D] - Host Time Sync
[E] - Host Time Invalid
[F] - Record Complete
[G] - Presence Active
[H] - AC Pwr Off
[I] - Wheel Det Failure
[J] - Antenna Failure
[K] - Modem Com Timeout
[L] - <Page down>
[X] - Exit
```


SNMP Alarm Settings Menu – 'Unit Startup' Trap Type Selected

Unit Startup

```
-----  
[A] - Enabled: Yes  
[B] - Status: Major  
[C] - Clear Status: Send clear after 1 minute  
[D] - Quantity of Alarms: 3  
[E] - Group Alarm Window: 30  
[F] - Alarm Triggering Delay: 0  
[G] - Low Threshold: 0.0  
[H] - High Threshold: 0.0  
[X] - Exit
```

7.9.7 Restore Default Alarm Settings

The **Restore Default Alarm Settings** option restores the default settings, as specified by the customer, for all possible alarm/trap types. Select this option to restore the default settings. A prompt like this appears.

```
Are you sure you want to load the default alarm settings? (y/n)
```

7.9.8 Reset default SNMP user and password

The **Reset default SNMP user and password** option restores the SNMP user id and password to their default settings. Select the option, and a prompt like this will appear.

```
Are you sure you want to reset the default user and password for SNMP? (y/n)
```

7.9.9 SNMP v2

The **SNMP v2** enables/disables the reader's use of SNMP V2. Select this option to toggle the current setting. A notice like this will appear.

```
Success  
  
V2 community string "stc" is now enabled
```

7.9.10 Manually Clear An SNMP Alarm

The **Manually Clear An SNMP Alarm** option provides for the clearing of a currently active SNMP trap/alarm from the database used by the 2600 reader to maintain the current status of the SNMP subsystem. When this option is selected, the user will be prompted to enter the numerical code that corresponds to the trap/alarm to be cleared. The 2600 provides feedback as to the success of the attempt to clear the trap.

```
SNMP Configuration Menu
-----
[A] - Traps Disabled: No
[B] - Get SNMP Engine ID
.
.
.
[J] - Manually Clear An SNMP Alarm
[K] - Clear The SNMP Database
[X] - Exit
```

To **Manually Clear An SNMP Alarm**, select the menu option. Below is an example of the dialog presented.

```
Enter trap/alarm code to clear: 109
Are you sure you want to clear SNMP trap/alarm #109 (Y/N)?: y
Posted the clear-this-trap message for alarm/trap #109
Waiting for message to propagate .....
Alarm/trap #109 was successfully cleared.
```

7.9.11 Clear The SNMP Database

The **Clear The SNMP Database** option provides for resetting the SNMP database to clear all history of previously recorded/reported traps/alarms. This option would most likely be used if a 2600-020 is moved from one location to another so that the Reader doesn't continue to maintain the status of traps recorded at the previous installation.

```
SNMP Configuration Menu
-----
[A] - Traps Disabled: No
[B] - Get SNMP Engine ID
.
.
.
[K] - Clear The SNMP Database
[X] - Exit
```

To **Clear The SNMP Database**, select the menu option. Below is an example of the dialog presented.

```
Clear the SNMP database of active alarm data
-AND- reset SNMP configuration to default values ???

Type "Yes" to clear the database: yes

Stopping database dependent processes...

Clearing the database ...

Restarting database dependent processes .....

Finished
```

7.9.12 SNMP Hidden menu options

Some SNMP-specific options are not available from the menu unless the user enables their display. To display the hidden menu options with the SNMP Configurations Menu displayed, press the '!' character (shift-1).

```
SNMP Configuration Menu
-----
[A] - Traps Disabled: No
[B] - Get SNMP Engine ID
[C] - Trap Destination: 10.14.22.240:162
[D] - Trap Site ID: abc.def.ghi.jk
[E] - Generate Test Trap
[F] - Change Alarm Settings
[G] - Restore Default Alarm Settings
[H] - Reset default SNMP user and password
[I] - SNMP v2: Enabled
[J] - Manually Clear An SNMP Alarm
[K] - Clear The SNMP Database
[L] - Display SNMP Tables
[M] - Clear SNMP Tables
[N] - Restart SNMP Agent
[X] - Exit
```

Hidden Menu Options – SNMP Configuration Menu

Display SNMP Tables	This option was used during the software development process. It no longer serves a purpose and will be removed from any subsequent release.
Clear SNMP Tables	This option resets the SNMP agent's internal status – clearing the current state of the SNMP database. If this option is selected, a subsequent restart of the SNMP Agent application is recommended.
Restart SNMP Agent	Restarts the SMPP Agent application

7.10 Report Examples

The system reports can be printed by accessing the **Report Menu**, which is available from the **Main Menu**.

7.10.1 Train Summary Report

The Train Summary Report can be printed by selecting the Train Summary options located on the **Report Menu**.

```

=====
                Southern Technologies Corporation
                Model 2600 AEI Reader
                Train Summary Report

                Run Date: 02/28/2023  14:45:23                CromwellRd
=====
  Trn      Num      Date      Time      Lead Veh ID      Num Cars      Num Axle      Speed Max Min Dir      Tags Read      Durat      T94
  Num      Date      Time      Lead Veh ID      Cars      Axle      Max Min      Dir      Ant0 Ant1      Durat      Xmit
-----
2692 02/28/23 14:11 CSXT 3382      146 588 37 35 N      144 146      164 -S--- A
2691 02/28/23 13:08 CSXT 119       85 344 33 30 N      84 86      108 -S--- A
2690 02/28/23 12:18 CSXT 3169      93 376 40 35 S      93 93      106 -S--- A
2689 02/28/23 11:12 CSXT 6101       1 4 15 15 S      1 1      12 -S--- A
2688 02/28/23 10:21      1 4 9 9 N      0 0      17 -S--- A
2687 02/28/23 08:28 CSXT 6101       1 4 13 13 N      1 1      12 -S--- A
2686 02/28/23 04:10 CSXT 3242      95 384 38 35 S      95 95      166 -S--- A
2685 02/28/23 03:18 CSXT 5426     106 428 35 33 N     106 107     159 -S--- A
.
.
.
=====

```

Train Summary Report Example

Train Summary Report Field Descriptions	
Trn Num (Train Number)	This column contains the chronologically sequential number assigned to each train as they are processed by the 2600 Controller. The maximum value that this field can have is specified by the "Maximum Train Number" option of the Setup Menu. When the Train Number reaches the specified maximum value, the Train Number field wraps back to 1, whereupon data for older trains having the same train number is deleted.
Date/Time	These fields reflect the date and time at which a train arrived at the reader site.
Lead Veh ID (Lead Vehicle Identifier)	This field contains the Owner and Number fields decoded from the AEI tag that was read on the first vehicle of a train. If no tag was read on the first vehicle, this field will remain blank.
Num Cars (Number of Cars)	This field contains the count of the number of vehicles (locomotives and railcars) that were identified in a train.
Num Axles (Number of Axles)	This field contains the number of axles that were detected for a given train by the systems wheel detectors.
Speed Max, Min	These fields contain the maximum and minimum speeds that a train traveled as it crossed the reader site.
Dir (Direction)	This field indicates the direction that the train was traveling as it exited the reader site.
Tags Read, Ant0, Ant1 (Tags Read, Antenna 0, Antenna 1)	These two fields contain a count of the number of AEI tags that were read by each antenna as a train crossed the reader site.
Durat (Duration)	This field reflects the elapsed time, in seconds, it took for a train to completely cross a reader site.

(Train Summary Report Field Descriptions, cont.)

T94 Xmit (T94 Transmit)	<p>This field is used to indicate the status of the T94 consist reporting process as it affects each train. This field consists of five columns, each of which reflects the status of the five available consist sessions. In the above example, the system has (S)uccessfully reported, for session #1, all of the trains shown. The remaining four sessions are not currently enabled, as indicated by the '-' in the other four columns.</p> <p>The possible entries for the columns in this field are:</p> <p>S - Success The T94 report for the indicated train was successfully transferred as specified by the referenced reporting session.</p> <p>R - Rejected The T94 report for the indicated train was rejected by the receiving server/computer in at least five attempts to transmit it.</p> <p>T - Trying The 2600 Controller has made at least one attempt to transmit the T94 report for the indicated train, and further attempts will be made to do so.</p> <p>H - On Hold The 2600 Controller has failed in at least five attempts to transmit the T94 report for the indicated train. The 2600 Controller is waiting for the next train to cross the site before making further attempts.</p> <p>K - Skipped The 2600 Controller did not attempt to transmit the T94 report for the indicated train because it failed to meet some criteria established by the Reporting Session configuration. For instance, if the "Minimum Axle Count" field is set to 4 and only two axles are recorded for a movement, then the train will be skipped (for reporting purposes).</p>
Unlabeled Last Column	<p>The last column on the report indicates the type of movement that the recorded train represented. Possible values for this column are as follows:</p> <p>A = through movement, over 5 mph for the entire train; B = through movement, and speed was under 5 mph for some part of the train; C = through movement, the train stopped at some point; D = through movement, switching move, some changes in direction were detected; E = simulated train; F = reverse exit.</p>

7.10.2 Train Detail Report

The Train Detail Report can be printed by selecting one of the Train Detail options located on the **Report Menu**.

```

=====
                        Southern Technologies Corporation
                        Model 2600 AEI Reader
                        Train Detail Report

                        Run Date: 02/03/2023  16:13:08                        Cromwell Rd
=====

File Name: 202007270521_0080.trn
=====
Train : 80      | Axles   : 564 | Total N/E S/W
Date  : 02-05-23 | Cars    : 140 | Vehicle Count : 140  0 140
Time  : 05:21   | Max Speed: 35 | Locos Tagged  : 2    0  2
Dir   : S       | Min Speed: 31 | Untagged     : 0    0  0
Length: 8384 ft | Avg Speed: 32 | Railcars Tagged : 138  0 138
                        |                | Untagged     : 0    0  0
=====

```

Car Num	Vehicle ID	EGC	Num Axls	Num Trks	Num Plat	Tag Axls	Dir	Lead End	Speed	Length	Handshakes Ant0	Ant1	R P T
1	CSXT 70	5	6	2	1	6	S	A	35	70	12	10	Y
2	CSXT 3253	5	6	2	1	6	S	B	35	72	10	8	Y
3	BRIX 97438	19	4	2	1	4	S	B	35	66	12	12	Y
4	STYX 72902	19	4	2	1	4	S	A	35	55	15	14	Y
5	STYX 72645	19	4	2	1	4	S	B	35	55	13	14	Y
6	BRIX 97448	19	4	2	1	4	S	B	34	65	12	12	Y
7	BRIX 97186	19	4	2	1	4	S	B	34	62	16	14	Y
8	SHPX 220849	19	4	2	1	4	S	A	34	67	14	13	Y
9	CTCX 733214	19	4	2	1	4	S	B	34	61	12	12	Y
10	ASOX 295010	19	4	2	1	4	S	A	34	61	16	15	Y
.
125	CSXT 999268	19	4	2	1	4	S	B	32	62	15	14	Y
126	CSXT 916414	19	4	2	1	4	S	A	32	57	12	10	Y
127	NSSX 1174	19	4	2	1	4	S	B	32	57	12	12	Y
128	NATX 205129	19	4	2	1	4	S	A	32	53	17	15	Y
129	CSXT 920706	19	4	2	1	4	S	A	32	85	17	0	Y
130	OFOX 25318	19	4	2	1	4	S	A	32	50	15	14	Y
131	NCLX 4087	19	4	2	1	4	S	A	32	70	15	15	Y
132	CSXT 916524	19	4	2	1	4	S	B	32	61	12	12	Y
133	TODX 489	19	4	2	1	4	S	A	32	55	16	13	Y
134	TODX 463	19	4	2	1	4	S	B	32	55	16	15	Y
135	MWCX 302169	19	4	2	1	4	S	A	32	46	14	12	Y
136	CSXT 243002	19	4	2	1	4	S	A	32	45	16	14	Y
137	TODX 486	19	4	2	1	4	S	A	32	54	15	13	Y
138	MWCX 302198	19	4	2	1	4	S	B	32	45	14	12	Y
139	MWCX 302186	19	4	2	1	4	S	B	32	45	14	12	Y

Press any key to continue ...

Train Detail Report Example

Train Detail Report Field Descriptions	
Car Num (Car Number)	This field contains the sequential number of each vehicle detected in the train consist.
Vehicle ID (Vehicle Identifier)	This field contains the owner code and car number fields decoded from the AEI tag associated with the first vehicle in the consist. If multiple AEI tags have been associated with the lead vehicle, which cannot be resolved to one legitimate identifier, this field will be empty.
EGC (Equipment Group Code)	This field contains the "Equipment Group Code" field decoded from the vehicles identifying the AEI tag.
Num Axls (Number of Axles)	This field contains the number of axles associated with each vehicle as determined by the 2600 Controller's consist breakout logic (based upon wheel detector signal timing).
Num Trks (Number of Trucks)	This field contains the number of trucks that the consist breakout logic has determined are associated with each vehicle.
Num Plat (Number of Platforms)	This field contains the number of platforms that the consist breakout logic has determined are associated with each vehicle.
Tag Axls (Tag Axles)	This field contains the axle-count field decoded from the vehicle's identifying AEI tag.
Dir (Direction)	This field indicates the direction each vehicle was traveling as it exited the reader site. This field becomes significant when reviewing reports for consists on which switching operations have occurred.
Speed	This field contains the speed recorded for each vehicle.
Length	This field contains the length calculated for each vehicle (based on speed and wheel detector signal timing).
Handshakes Ant0, Ant1	These two columns reflect the "handshake" values recorded for the identifying tag of each vehicle. The term "handshakes" refers to the number of times a given tag was read as it passed through the RF signal produced by the trackside AEI antennas.
Rpt (Report)	This field indicates whether a vehicle record, as shown in this report would be included in the S-9203A report for this train. For most Mainline applications, this field will always contain a 'Y' indicating that the vehicle would be reported. Only where switching moves occur would there be a potential for some vehicle records to have an 'N' in this field.

7.10.3 T94 Report

The format of the T94 report is specified by the document AAR Manual of Standards and Recommended Practices, S-9203A, section K, AEI Site-To-Host Consist Report Format.

The T94 Report can be printed by selecting one of the T94 options located on the **Report Menu**.

```
AEM 00123 Cromwel 090914 0800 0803 050 Y 411 0049 G G N 0 E 022 018 019 A N F N 03339 G
RRE 001 D CSXT 0000005300 A G G P 12 09 018 06 01
RRE 002 D CSXT 0000007570 A G G P 10 06 018 06 01
RRE 003 D CSXT 0000005950 A G G P 11 11 018 04 01
RRE 004 R NDYX 0000475493 A G G K 09 09 018 04 01
RRE 005 R KRL 0000050805 B G G K 10 11 018 08 01
RRE 006 R GACX 0000013661 A G G K 10 09 018 04 01
RRE 007 R KRL 0000050807 B G G K 13 11 022 08 01
RRE 008 R CEFX 0000011736 A G G K 13 11 018 04 01
RRE 009 R QTTX 0000131365 A G G K 13 13 018 08 01
RRE 010 R MWCX 0000461779 A G G L 07 05 019 04 01
RRE 011 R QTTX 0000131427 A G G K 12 12 019 08 01
RRE 012 R CSXT 0000224519 B G G K 12 10 019 04 01
RRE 013 R CSXT 0000225127 A G G K 09 08 019 04 01
RRE 014 R CSXT 0000225131 B G G K 10 09 019 04 01
RRE 015 R SRLX 0000000508 A G G K 13 12 019 04 01
RRE 016 R ANAX 0000003775 B G G K 13 11 019 04 01
RRE 017 R CSXT 0000136791 B G G K 12 11 019 04 01
RRE 018 R CSXT 0000223367 A G G K 12 10 019 04 01
RRE 019 R FURX 0000815465 B G G K 11 10 019 04 01
RRE 020 R CSXT 0000507263 B G G K 12 10 019 04 01
RRE 021 R SRLX 0000000625 A G G K 12 10 019 04 01
RRE 022 R CSXT 0000224227 B G G K 11 12 019 04 01
RRE 023 R CSXT 0000225123 A G G K 09 09 019 04 01
RRE 024 R USLX 0000001711 B G G K 11 10 019 04 01
.
.
.
RRE 049 R DUPX 0000039007 A G G K 03 08 021 04 01
RRE 050 R BPRX 0000005370 A G G K 09 09 021 04 01
RRE 051 R BPRX 0000206214 A G G K 09 08 021 04 01
RRE 052 R NATX 0000301405 B G G K 10 10 022 04 01
RRE 053 R ADMX 0000031304 B G G K 09 09 022 04 01
RRE 054 R ADMX 0000030187 A G G K 07 07 022 04 01
RRE 055 R ADMX 0000030425 A G G K 11 10 022 04 01
RRE 056 R TILX 0000191029 A G G K 11 08 022 04 01
RRE 057 R TILX 0000191057 B G G K 10 10 022 04 01
RRE 058 R ADMX 0000030818 B G G K 10 10 022 04 01
EOC 0000003182
```

T94 Report Example
(Note: AEM record has been truncated)

7.10.4 System Status Report

The System Status Report provides an overall snapshot of the current configuration of the Reader system.

```
=====
                        Southern Technologies Corporation
                          Model 2600 AEI Reader
                          System Status Report

                        Run Date: 02/28/2023 15:01 EST                        CromwellRd
=====
System Supply Voltages (last updated: Tue Feb 28 14:58:21 2023)
-----
AC Power Status..... OK                FEP 5V Supply..... 4.9V
24V System Supply..... 29V             IPC 5V Supply..... 5.0V
12V Supply..... 12.1V                 Internal Temp..... +136F

IPC Board Type..... VL-EBX-18 (Anaconda) with drive type: mSATA

System Setup Parameters
-----
Site ID..... CromwellRd                Train Scanning..... Enabled
Multi-Track Site..... No                Antenna Between Tracks... N/A
Track Orientation..... North/South      Whl Detector Config..... Dual
Max Num Of Stored Trains.... 100
Max Train Number..... 9999              Reader Type..... MPRR

Track Hardware Setup Parameters
-----
Whl Det Pulse Width Filter.. 3          Presence Input..... Disabled
Whl Det Pair Spacing..... 125          Presence Timeout Period.. 00:10 mm:ss
Tag ID Separation..... 2               Presence Debounce Filter. 3 mS
Tag Consecutive Reads..... 2           Antenna Offsets..... N/A
Tag Uniqueness Timeout..... 30 sec
MPRR Frequency..... 911.500 Mhz         Smart Mux Mode..... Disabled
MPRR Attenuation..... 0                 Smart Mux Hdwr Status.... Missing

Reporting Session Status
-----
Session 1      Disabled, ftp            - 184.174.165.45
Session 2      Disabled, ftp            - 184.174.165.45
Session 3      Disabled, ftp/SFTP       - sftp.geometrix.com
Session 4      Disabled, ftp            - Optimiser.tubecityims.com
Session 5      Disabled, dial-and-dump  - 4238920381
Maint. Session 1 Disabled, ftp         - 184.174.165.45
Maint. Session 2 Disabled, ftp         - 184.174.165.45
.
.
.
```

System Status Report Example—Part One

(System Status Report, cont.)

```
Network Interfaces Setup Parameters
-----
LAN Interface (Inactive):          MAC Address (LAN)...00:04:bf:d0:06:e8
IP Assignment (LAN)..... Disabled  IP Address (LAN)..... 10.14.22.204
Subnet Mask (LAN)..... 255.255.255.0  Default Gateway (LAN)....

WAN Interface (Active):           MAC Address (WAN)...00:04:bf:d0:06:e9
IP Assignment (WAN)..... Dynamic (DHCP) IP Address (WAN)..... 192.168.0.50
Subnet Mask (WAN)..... 255.255.255.0  Default Gateway (WAN).... 192.168.0.1

DNS Servers:
Primary DNS Server..... 192.168.0.1
Secondary DNS Server..... 192.168.0.1
Tertiary DNS Server.....

Remote Connection Port Numbers:
Telnet Port Number..... 23           Secure Shell (SSH) Port Number... 8001

-----
FEP Firmware Version: ML1.3 10/09/19

IPC Software Revision Status
-----
IPC Build Image Timestamp: 2021-09-13_15:43   Build Label: Release_An_Sep_2021

Software Update History:
Date          Time      Rev Number          Rev. Label          Result

System Processes Versions
-----
CommsMonitor..... 1.10 11/22/22
MaintAlarmTrnScanner..... 1.10 11/22/22
MultiTrackCommsManager... 1.10 11/21/22
SessionManager..... 1.10 11/22/22
TDProcess..... 1.60 11/22/22

=====
Press any key to continue ...
```

System Status Report Example—Part Two

The System Status Report can be printed by selecting the System Status option located on the **Report Menu**.

7.10.5 Maintenance Object Database Status

The **Maintenance Object Database Status** report provides a snapshot of the reader's internal record of the active state of the SNMP interface.

```
STC Model 2600 AEI Reader, Site Name: AEI Site 123
```

```
Mon Jul 24 13:39:29 EDT 2023
```

```
Report Menu
```

```
-----  
.  
.  
.
```

```
H) System Status
```

```
I) Maintenance Object Database Status
```

```
J) Logs
```

```
K) Diagnostic Report Menu
```

```
X) Exit Menu
```

```
?
```

Maintenance Object Database Status Example

```
=====
                          Southern Technologies Corporation
                          Model 2600 AEI Reader
Maintenance Object Database Status Report
```

```
Run Date: 07/24/2023 13:39:36 N/A
```

```
-----
Database Status
```

```
-----
Database file name:      /var/local/ngaei_appdata/snmp_maint_msgs.db
Database file size:     36.0K
Database last mod time: 2023/07/24 13:17:02
Database last access time: 2023/07/24 13:39:36
Numrecs in maint_messages: 198                undispached:0
Numrecs in active_alarms: 70
Numrecs in maint_msg_config: 61
```

```
Undispached maintenance messages
```

```
-----
Time Posted      ErrNo Error Description      Status      Alarm
Corr Num Type
-----
<None>
```

```
Contents of active_alarms
```

```
-----
Time Posted      Alarm      Issue      Issue
Corr Num ErrNo Active Reported
-----
06/05/2023 15:10:23      1 95 true true
06/27/2023 12:17:03      43 80 true true
06/27/2023 12:17:03      44 80 true true
```

7.10.6 Event Log Report

The purpose of the Event Log in the Model 2600 AEI Reader is to provide a means for tracking the operations that have been performed by the system and for logging specific error events encountered by the system. The Event Log is used to document the status and operations performed by the Model 2600 Controller. Messages are posted to the log chronologically as certain events are detected by the system, as the system executes certain functions, and when certain error conditions are encountered. The Event Log Report example provided on the following page was retrieved from an operational site, and as such, the records contained therein are specific to that site.

Event Log Report printing options are accessed from the **Event Log Menu** located under the **Report Menu**.

```
STC Model 2600 AEI Reader, Site Name: CromwellRd
Tue Feb 28 15:03:32 EST 2023
Event Log Menu
-----
A) Print Event Log
B) Print Oldest n Records
C) Print Most Recent n Records
D) Print Records For Specific Day
E) Print Records Containing Text
X) Exit Menu
?
```

```
Feb 28 14:56:30 2600 SessMgr: Error synching .ini setup files: filesync: Error - External
Device '/dev/sdb1' NOT mounted
Feb 28 14:45:10 2600 tech: main_menu.sh: filesync: Error - External Device '/dev/sdb1' NOT
mounted
Feb 28 14:45:10 2600 tech: main_menu.sh: Synchronizing setup files from USB drive.
Feb 28 14:43:19 2600 SessMgr: Removing 11 lines from file: /var/log/ngaei-maintenance.log
Feb 28 14:32:39 2600 SessMgr: Error synching .ini setup files: filesync: Error - External
Device '/dev/sdb1' NOT mounted
Feb 28 14:14:38 2600 SessMgr: Train data directory change detected: Newest Train = #2692
Feb 28 14:14:24 2600 MaintAlarmTrnScanner: Scanning
"/var/local/ngaei_data/202302281411_2692.trn"
Feb 28 14:14:24 2600 TDProcess: Writing train data to file:
/var/local/ngaei_data/202302281411_2692.trn
Feb 28 14:14:24 2600 TDProcess: Wheel detector config. = Dual
Feb 28 14:14:24 2600 TDProcess: Writing diagnostic data to file:
/var/local/ngaei_data/diagnostic/202302281411-1176-0290_2692.raw
Feb 28 14:14:24 2600 TDProcess: Total CBAs Rcvd: 1176 Total Tags Rcvd: 290
Feb 28 14:14:24 2600 TDProcess: Presence Clear; Train Number 2692
Feb 28 14:14:13 2600 TDProcess: FEP exited-train-scanning-loop message received
Feb 28 14:14:12 2600 CommsMonitor: FEPmsg: Batt:29 Twlv:121 FEP5v:49 IPC5v:50
Feb 28 14:11:27 2600 TDProcess: (SWDO) Presence Startup; Train Number 2692
Feb 28 14:08:47 2600 SessMgr: Error synching .ini setup files: filesync: Error - External
Device '/dev/sdb1' NOT mounted
.
.
.
```

Event Log Report Example

7.10.7 Log Reports

From the Logs Menu, you can access and view the Event Log, Maintenance Log, Maint Obj Mgr Log, and SNMP Log.

```
STC Model 2600 AEI Reader, Site Name: AEI Site 123
Mon Jul 24 14:14:01 EDT 2023
Logs Menu
-----
A) Event Log
B) Maintenance Log
C) Maint Obj Mgr Log
D) SNMP Log
X) Exit Menu
```

7.10.7.1 Event Log

Select the **Event Log** to view this submenu. Choose from the printing options available.

```
Event Log Menu
-----
A) Print Event Log
B) Print Oldest n Records
C) Print Most Recent n Records
D) Print Records For Specific Day
E) Print Records Containing Text
X) Exit Menu
```

```
With Page Breaks (Y or N) ? n

Press CTRL-C to cancel report!

Jul 24 13:31:01 localhost tech: main_menu.sh: Synchronizing setup files from USB
drive.
Jul 24 13:17:59 localhost tech: main_menu.sh: Synchronizing setup files from USB
drive.
Jul 24 13:17:09 localhost logger: periodic_ping_test: WAN Watchdog Test - DNS lookup
and ping success.
Jul 24 13:17:02 localhost MaintObjMgr: Removing 11 lines from file: /var/log/ngaei-
maintenance.log
Jul 24 13:17:01 localhost logger: Error : Name or service not known 24 Jul 13:17:01
ntpdate[4443]: can't find host poll.ntp.org 24 Jul 13:17:01 ntpdate[4443]: no
servers can be used, exiting
Jul 24 12:17:10 localhost logger: periodic_ping_test: WAN Watchdog Test - DNS lookup
and ping success.
Jul 24 12:17:02 localhost logger: Error : Name or service not known 24 Jul 12:17:02
ntpdate[3948]: can't find host poll.ntp.org 24 Jul 12:17:02 ntpdate[3948]: no
servers can be used, exiting
.
.
.
```

Event Log Report Example

7.10.7.2 Maintenance Log

The Model 2600 AEI Reader maintains the Maintenance Log for the purpose of supporting the maintenance reporting requirements of the document "AAR Manual of Standards and Recommended Practices." S-918A, section K, "AEI Site-To-Host Consist Report Format."

```

STC Model 2600 AEI Reader, Site Name: AEI Site 123
Mon Jul 24 14:14:01 EDT 2023
Logs Menu
-----
A) Event Log
B) Maintenance Log
C) Maint Obj Mgr Log
D) SNMP Log
X) Exit Menu
    
```

Maintenance Log printing options are accessed from the **Maintenance Log Menu** located under the **Logs Menu**.

```

STC Model 2600 AEI Reader, Site Name: AEI Site 123
Mon Jul 24 14:35:02 EDT 2023
Maintenance Log Menu
-----
A) Print Maintenance Log
B) Print Oldest n Records
C) Print Most Recent n Records
D) Print Records For Specific Day
E) Print Records Containing Text
X) Exit Menu
?
    
```

Date	Time	PID	Train Num	Maint Code	Maint. Message	Add. Text
02-28-2023	15:01:15	012	0000	0031	Front Door Start	
02-28-2023	14:54:31	012	0000	0032	Front Door Exit	
02-28-2023	14:43:09	012	0000	0031	Front Door Start	
02-28-2023	14:14:24	002	2692	0084	Record Complete	CR:146 AX:0588 TG:144/146
02-28-2023	14:14:24	002	2692	0005	Presence Clear	
02-28-2023	14:11:27	002	2692	0004	Presence Startup	
02-28-2023	13:56:08	012	0000	0032	Front Door Exit	
02-28-2023	13:38:10	012	0000	0031	Front Door Start	
02-28-2023	13:37:50	012	0000	0032	Front Door Exit	
02-28-2023	13:21:28	012	0000	0031	Front Door Start	
02-28-2023	13:10:35	002	2691	0084	Record Complete	CR:085 AX:0344 TG:084/086
02-28-2023	13:10:35	002	2691	0005	Presence Clear	
02-28-2023	13:08:34	002	2691	0004	Presence Startup	
02-28-2023	12:20:36	002	2690	0084	Record Complete	CR:093 AX:0376 TG:093/093
02-28-2023	12:20:36	002	2690	0005	Presence Clear	
02-28-2023	12:18:38	002	2690	0004	Presence Startup	
.						
.						
.						

Maintenance Log Report Example

7.10.7.2 Maintenance Object Manager Log

The “Maint Obj Mgr Log”, records system activity and events that can be reported via the SNMP interface and/or through the traditional, S-9203A specified Maintenance Reporting function.

```
STC Model 2600 AEI Reader, Site Name: AEI Site 123
Mon Jul 24 14:14:01 EDT 2023
Logs Menu
-----
A) Event Log
B) Maintenance Log
C) Maint Obj Mgr Log
D) SNMP Log
X) Exit Menu
```

Entries in the log, in part, reflect how events get handled by each of these reporting functions. In the example below, highlighted in red is a transducer (wheel detector) failure event that posted to both the SNMP Agent's outgoing message queue and to the Maintenance Reporting queue.

```
2023/07/19, 13:42:09: SNMP Code[999] Trn#:0, SYSSTATUS-TELEMETRY[1]:
240033080120050049+95###FEEI#####
2023/07/19, 13:42:09: MSGQ Code[999] Trn:0, PID:4 [2023/07/19, 13:42:09]<Unknown Maint. Code>
2023/07/19, 13:42:07: SNMP Code[031]: NOT FOUND in DB
2023/07/19, 13:42:07: MSGQ Code[031] Trn:0, PID:12 [2023/07/19, 13:42:07]<Front Door Start>
2023/07/19, 13:41:57: SNMP Code[304]:SET posted to outgoing table.
2023/07/19, 13:41:56: MSGQ Code[304] Trn:32, PID:21 [2023/07/19, 13:41:55]<Transducer A
Inoperative>
2023/07/19, 13:41:09: SNMP Code[999] Trn#:0, SYSSTATUS-TELEMETRY[1]:
240033080120050049+95###FEEI#####
2023/07/19, 13:41:09: MSGQ Code[999] Trn:0, PID:4 [2023/07/19, 13:41:09]<Unknown Maint. Code>
2023/07/19, 13:40:09: SNMP Code[999] Trn#:0, SYSSTATUS-TELEMETRY[1]:
240033080120050049+95###FEEI#####
2023/07/19, 13:40:09: MSGQ Code[999] Trn:0, PID:4 [2023/07/19, 13:40:09]<Unknown Maint. Code>
```

Maintenance Obj Mgr Log Excerpt Example

7.10.7.3 SNMP Log

The **SNMP Log** serves as an event log for just the SNMP Agent application.

```
STC Model 2600 AEI Reader, Site Name: AEI Site 123
Mon Jul 24 14:14:01 EDT 2023
Logs Menu
-----
A) Event Log
B) Maintenance Log
C) Maint Obj Mgr Log
D) SNMP Log
X) Exit Menu
```



```

2023/07/19, 14:03:10: Command received: Get TrapDestinationIP
2023/07/19, 14:01:23: Command received: Get V2Mode
2023/07/19, 13:41:57: Sending trap: 7/19/2023 13:41:57      304      Transducer A
Inoperative      4      3      false AEI Site 123      Transducer Failure
2023/07/19, 11:53:22: Command received: Display
2023/07/19, 11:52:57: Command received: Get TrapDestinationPort
2023/07/19, 11:52:57: Command received: Get TrapDestinationIP
2023/07/19, 09:23:10: Command received: Get TrapDestinationPort
.
.
2023/07/19, 09:23:10: Command received: Get TrapDestinationIP
2023/07/19, 09:23:09: Command received: Get V2Mode
2023/07/19, 08:44:43: Sending trap: 7/19/2023 08:44:43      95      AC Pwr Off
      4      1      false AEI Site 123
2023/07/19, 08:44:22: SNMP Agent Running
2023/07/19, 08:44:21: SNMP Agent Starting...
2023/07/16, 16:52:23: SNMP Agent Running
2023/07/16, 16:52:09: SNMP Agent Starting...
.
.
2023/07/16, 14:41:01: Command received: Get TrapDestinationPort
2023/07/16, 14:41:00: Command received: Get TrapDestinationIP
2023/07/16, 14:41:00: Command received: Get V2Mode
2023/07/16, 14:40:49: Sending trap: 7/16/2023 14:40:49      3      General Info
3      0      false Test Site ID Test Site Name      This is a test trap,
please ignore
2023/07/16, 14:40:49: Generating test trap
2023/07/16, 14:40:49: Command received: Test trap

```

SNMP Log Excerpt Example

The log entry highlighted in red, above, indicates that the SNMP Agent transmitted a trap, with trap-id 304 (Transducer A Inoperative), at 13:41:57, on 2023-07-19. Highlighted in green is an example of a Test Trap, using trap-id 3 (General Info).

7.10.8 Diagnostic Train Summary Report

The Diagnostic Train Summary Report can be printed by accessing the **Diagnostic Report Menu** option located on the **Report Menu**.

```

STC Model 2600 AEI Reader, Site Name: CromwellRd
Tue Feb 28 15:09:48 EST 2023
Diagnostic Report Menu
-----
A) Diagnostic Train Summary
B) Diagnostic Train Detail
C) Diagnostic Train Detail (Last Train)
D) Diagnostic Train Detail (Range Of Trains)
E) Raw Train Data Reports
X) Exit Menu
?
    
```

```

=====
Southern Technologies Corporation
Model 2600 AEI Reader
Diagnostic Train Summary Report

Run Date: 02/28/2023 15:10:26 CromwellRd
=====

```

Trn Num	Num Crs	i	Speed		Num Axles			Fltrd Pls		Tag Cnt		Avg Hsk		M	Sessions			
			Max	Min	Trn	T02	T03/T04	T01/T02	T03/T04	0	1	0	1		e	#	Att	NE
2692	146	N	37	35	588	588	588	0	0	144	146	10	12	A				
					588	588	588	0	0									
2691	85	N	33	30	344	344	344	0	0	84	86	10	12	A				
					344	344	344	0	0									
2690	93	S	40	35	376	376	376	0	0	93	93	11	12	A				
					376	376	376	0	0									
2689	1	S	15	15	4	4	4	0	0	1	1	19	28	A				
					4	4	4	0	0									
2688	1	N	9	9	4	4	4	0	0	0	0	0	0	A				
					4	4	4	0	0									
2687	1	N	13	13	4	4	4	0	0	1	1	13	15	A				
					4	4	4	0	0									
2686	95	S	38	35	384	384	384	0	0	95	95	12	13	A				
					384	384	384	0	0									
2685	106	N	35	33	428	428	428	0	0	106	107	12	13	A				
					428	428	428	0	0									
2684	118	S	37	34	478	478	478	0	0	118	117	12	14	A				
					478	478	478	0	0									
2683	128	S	40	35	518	518	518	0	0	127	128	11	12	A				
					518	518	518	0	0									
2682	92	N	30	28	374	374	374	0	0	91	92	10	13	A				
					374	374	374	0	0									
.																		
.																		
.																		

Diagnostic Train Summary Report Example

```

=====
| | Speed | Num Axles | Fltrd Pls | Tag Cnt | Avg Hsk | M | Sessions | Error!
Bookmark not defined. |
| D |-----|-----|-----|-----| o |-----|
Trn Num | Num Crs | i | Max Min | Trn T01 T02 | T03 T04 | T01 T02 | T03 T04 | Ant 1 | Ant 2 | Ant 1 | Ant 2 | v | Xfr # | Flags Att NE SW |
-----|-----|-----|-----|-----|-----|-----|-----|-----|-----|-----|-----|-----|-----|-----|

```

The following descriptions apply to the fields found in the Diagnostic Train Detail Report. The excerpt above is provided for reference.

Diagnostic Train Detail Report	
Trn Num (Train Number)	This column contains the chronologically sequential number assigned to each train as they are processed by the 2600 Controller.
Num Crs (Number of Cars)	This field indicates the number of vehicles (locomotives and railcars) that were identified in the consist.
Dir (Direction)	This field indicates the direction that the train was traveling as it exited the reader site.
Speed, Max, Min	These fields indicate the fastest and slowest speeds recorded for the train as it crossed the AEI site.
Num Axles, Trn (Number of Axles, Train)	This field reflects the number of axles that were detected by the system's wheel detectors.
Num Axles, T01/T02, T03/T04 (Number of Axles, T01/T02, T03/T04)	These four fields reflect the number of times that the individual wheel detector elements were activated as a train crossed an AEI site. In the above example, T01 was activated 252 times, while T02 was activated 250 times. T03 was activated 251 times, and T04 was activated 252 times. Differences between these four fields generally indicate a problem with a wheel detector. However, where switching moves or stop/roll-back activity is common, small differences would be expected.
Fltrd Pls, T01/T02, T03/T04 (Filtered Pulses, T01/T02, T03/T04)	These four fields reflect the number of noise "spikes" that were filtered from the wheel detector inputs. Where Tiefenbach wheel detectors are used, these fields should always have the value of zero.
Tag Cnt, Ant 1, Ant 2 (Tag Count, Antenna 1, Antenna 2)	These two fields reflect the number of AEI tags that were read as a train crossed the AEI site.
Avg Hsk, Ant 1, Ant 2 (Average Handshakes, Antenna 1, Antenna 2)	These fields reflect the average number of times that each tag (recorded for the consist) was read as it passed through the RF field produced by the antennas. In the above example, the 57 AEI tags read by Antenna 1 were each read an average of 10 times as they passed through the RF field produced by Antenna 1.
Move (Movement Type)	This field reflects the type of movement recorded, as follows: A = through movement, over 5 mph for the entire train. B = through movement, and speed was under 5 mph for some part of the train. C = through movement, the train stopped at some point. D = through movement, switching moves, some changes in direction were detected. E = simulated train F = reverse exit

Session Fields

These fields reflect the progress made by the activated T94 Reporting Sessions in reporting the referenced trains. The excerpt shown below is provided for reference.

Trn Num	Num Crs	i	Speed		Num Axles			Fltrd Pls		Tag Cnt		Avg Hsk		M	Sessions			
			Max	Min	Trn	T02	T03	T04	T01	T03	T02	T04	Ant 1		Ant 2	Ant 1	Ant 2	#
711	54	S	9	0	218	220	220	0	0	56	53	39	39	C	1	1	-	S
						220	220	0	0						3	4	-	T
															5	7	-	S

Session Fields Detail	
Session #	This field indicates which Reporting Session status is being provided. Each active/enabled reporting session is represented for each train. In the above example, Reporting Sessions #1, #3, and #5 are enabled, and their status regarding the reporting of the indicated train (#711) is indicated.
Xfr Att (Transfer Attempts)	This field indicates the number of attempts that have been made to transfer the T94 report for the indicated train, according to the specified reporting session number. In the above example, it took the 2600 Controller one attempt to successfully transmit the T94 report for Train #711, as indicated by reporting session #1. It took the reader seven attempts for session #5. For session #3, the reader is still trying (T) to transmit the report (after four attempts).
Flags, NE SW	The flags fields reflect the possibility that two different T94 reports could be generated for the same consist. This would occur where a switching move was recorded, and net changes in the consist were detected in both directions. In the above example, the train recorded was a straight pull-through movement going South, so only a "southbound" T94 report would have transmitted. The dashes (-) in the NE column indicate that there was no reportable movement recorded in the northbound direction.
Flags, NE SW, possible entries	<p>S-Success: The T94 report for the indicated train was successfully transferred as specified by the referenced reporting session.</p> <p>R-Rejected: The T94 report for the indicated train was rejected by the receiving server/computer in at least five attempts to transmit it.</p> <p>T-Trying: The 2600 Controller has made at least one attempt to transmit the T94 report for the indicated train, and further attempts will be made to do so.</p> <p>H-On Hold: The 2600 Controller has attempted the number of times specified by the session's Maximum Retry Attempts parameter and has failed to transmit the T94 report for the indicated train. The 2600 Controller is waiting for the next train to cross the site before making further attempts.</p> <p>K-Skipped: The 2600 Controller did not attempt to transmit the T94 report for the indicated train because it failed to meet some criterion/criteria established by the Reporting Session configuration. For instance, if the "Minimum Axle Count" field is set to 4 and only two axles are recorded for a movement, then the train will be skipped (for reporting purposes).</p>

7.10.9 Diagnostic Train Detail Report

The Diagnostic Train Detail Report can be printed by accessing the **Diagnostic Report Menu** option located on the **Report Menu**.

```

=====
Southern Technologies Corporation
Model 2600 AEI Reader
Diagnostic Train Detail Report

Run Date: 02/28/2023 15:13:51                      CromwellRd
=====

File Name: 202302281411_2692.trn
=====
Train : 2692 | Axles : 588 | Total N/E S/W
Date : 02-28-23 | Cars : 146 | Vehicle Count : 146 146 0
Time : 14:11 | Max Speed: 37 | Locos Tagged : 2 2 0
Dir : N | Min Speed: 35 | Untagged : 0 0 0
Length: 9015 ft | Avg Speed: 36 | Railcars Tagged : 144 144 0
| | | Untagged : 0 0 0
=====

Txdr. Count Fltr | Count | Total Tags Read: 290
T01 : 588 0 | PairA: 588 |
T02 : 588 0 | | Ant0 Ant1
T03 : 588 0 | PairC: 588 | Tag Count : 144 146
T04 : 588 0 | | Avg Hndshks: 10 12
| | | Timestamp : Y N+
=====

L
D e T94 Lgc R
i a ----- Start End Car Car p
Num Axls Trks Plat Vehicle ID r d Spd Len Car Ax Tg Time Time Flgs Num t
-----
1 6 2 1 CSXT 3382 N A 37 70 1 6 1 1 1249 0402 [0] Y
Lead-T:0 S:1 E:584 Trail-T:1 S:694 E:1249
6 RK 5 CSXT 3382 1 P 4 0|0 863|889 0|8 74 0000
1 0 C 4 0 cadb 0 7 23 30 23 23 30
1 0 C 4 83 cadb 113 120 134 141 21 21 28
1 0 A 4 192 cadb 192 199 215 222 23 23 30
1 0 C 4 83 cadb 224 231 245 253 21 22 29
1 0 A 4 82 cdab 304 325 312 332 21 20 28
1 0 A 4 84 cdab 416 437 423 444 21 21 28
1 1 C 4 553 cdab 806 828 813 835 22 22 29
1 1 C 4 83 cdab~ 918 939 925 946 21 21 28
1 1 A 4 553 cdab 997 1020 1005 1027 23 22 30
1 1 C 4 83 cdab 1029 1051 1036 1058 22 22 29
1 1 A 4 83 cdab 1110 1131 1117 1138 21 21 28
1 1 A 4 83 cdab 1221 1242 1228 1249 21 21 28

2 6 2 1 CSXT 706 N B 37 69 2 6 1 1163 2493 0406 [1] Y
Lead-T:2 S:1163 E:1851 Trail-T:3 S:1938 E:2493
6 GK 5 CSXT 706 2 P 0 1623|1623 2133|2133 4|5 73 2000
2 2 C 4 210 cdab 1268 1288 1275 1296 20 21 28
2 2 C 4 83 cdab 1379 1400 1386 1407 21 21 28
2 2 A 4 211 cdab 1460 1480 1467 1487 20 20 27
2 2 C 4 84 cdab 1491 1511 1498 1519 20 21 28
2 2 A 4 84 cdab 1571 1592 1578 1599 21 21 28
2 2 A 4 84 cdab~ 1683 1703 1690 1710 20 20 27
2 3 C 4 531 cdab 2050 2071 2057 2079 21 22 29
2 3 C 4 83 cdab~ 2162 2183 2169 2190 21 21 28
2 3 A 4 532 cdab 2242 2263 2249 2270 21 21 28
2 3 C 4 84 cdab 2274 2294 2281 2302 20 21 28
2 3 A 4 84 cdab 2354 2374 2361 2382 20 21 28
2 3 A 4 83 cdab 2465 2486 2473 2493 21 20 28

```

Diagnostic Train Detail Report

Vehicle Header Lines

The vehicle header lines of the Train Detail Report provide a compact summary of the wheel detector and AEI tag data that is accumulated for each vehicle and is used in establishing the consist breakout, etc. The figure below identifies the function of each of the lines in the vehicle header. *The data provided was taken from that of the first vehicle shown in the Diagnostic Train Detail Report above.*

Car Num	Num Axls	Num Trks	Num Plat	Vehicle ID	Dir	Spd	Len	T94 Car	Ax	Tg	Start Time	End Time
1	6	2	1	IC 2461	N A	18	69	1	6	1	1910	4462 0402 [0]
Lead-T:0 S:1910 E:3175 Trail-T:1 S:3275 E:4462 6 RM 5 IC 2461 1 P 4 0 0 3646 3672 0 9 23 0000												

Vehicle Data Summary Line

This line provides summary-level information for the vehicle represented, including axle count, AEI tag count, direction of travel, vehicle orientation, speed, etc. Using data from the highlighted example above, the fields in this line are described below.

Car Num	1	The sequential number of the vehicle in the consist	
Num Axls	6	The number of axles assigned to the vehicle – based upon wheel detector signal timings	
Num Trks	2	The number of trucks detected on the vehicle	
Num Plat	1	The number of platforms detected on the vehicle	
Vehicle ID	IC 2461	The AEI tag determined to be the identifier for a vehicle	
Dir	N	The vehicle's direction of travel.	
Lead	A	Identifies the orientation of the car; B = brake end	
Spd	18	The speed of the vehicle	
Len	69	The calculated length of the vehicle	
T94	Car	1	The corresponding sequence number in the consists T94 report
	Ax	6	The axle count shown in the corresponding T94 report record
	Tg	1	The tag count shown in the corresponding T94 report record
Start Time	1910	The elapsed time, in milliseconds, from the start of the consist, that a vehicle arrived on the site.	
End Time	4462	The elapsed time, in milliseconds, from the start of the consist, that a vehicle exited the site.	
diagnostic flags	0402	This field contains encoded information that STC uses to analyze consist breakout issues.	
logical car num	[0]	The logical sequence number (position in the consist) of a car. This field becomes significant when analyzing consist switching movements.	

(Diagnostic Train Detail Report, cont.)

Truck Timing Information Line

Car Num	Num Axls	Num Trks	Num Plat	vehicle ID	L D i a r d	Spd	Len	T94			Start Time	End Time	
1	6	2	1	IC 2461	N A	18	69	1	6	1	1910	4462	0402 [0]
Lead-T:0		S:1910		E:3175		Trail-T:1		S:3275		E:4462			
6	RM	5	IC	2461	1 P 4	0	0	3646		3672	0	9	23 0000

This line provides timing/positional information regarding the leading and trailing trucks of a vehicle. This information is used by STC when evaluating tag placement issues. The data is used in isolating the correct AEI tag to use in identifying a vehicle, where multiple tags have been associated with a vehicle (e.g., in double-track applications).

Refer to the highlighted data above for the following table.

Lead-T	0	The sequence number assigned to the lead truck of a vehicle; the truck sequence number starts at 0 and is incremented throughout the consist
S	1910	The elapsed time, in milliseconds, from presence detection, that the lead truck entered the site.
E	3175	The elapsed time, in milliseconds, from presence detection, that the lead truck exited the site.
Trail-T	1	The sequence number assigned to the last (trailing) truck of a vehicle.
S	3275	The elapsed time, in milliseconds, from presence detection, that the trailing truck entered the site.
E	4462	The elapsed time, in milliseconds, from presence detection, that the trailing truck entered the site.

AEI Tag Data Line

This line provides information specific to each of the AEI tags (tag pairs) that have been associated with a vehicle.

```

Car Num Num Num          L          T94          Start   End
Num Axls Trks Plat  Vehicle ID r d Spd Len Car Ax Tg   Time    Time
-----
1   6   2   1 IC  2461  N A 18 69  1  6  1   1910   4462 0402 [0]
Lead-T:0 s:1910 E:3175 Trail-T:1 s:3275 E:4462
6 RM 5 IC 2461 1 P 4 0|0 3646|3672 0|9 23 0000
    
```

Refer to the highlighted data above for the following table.

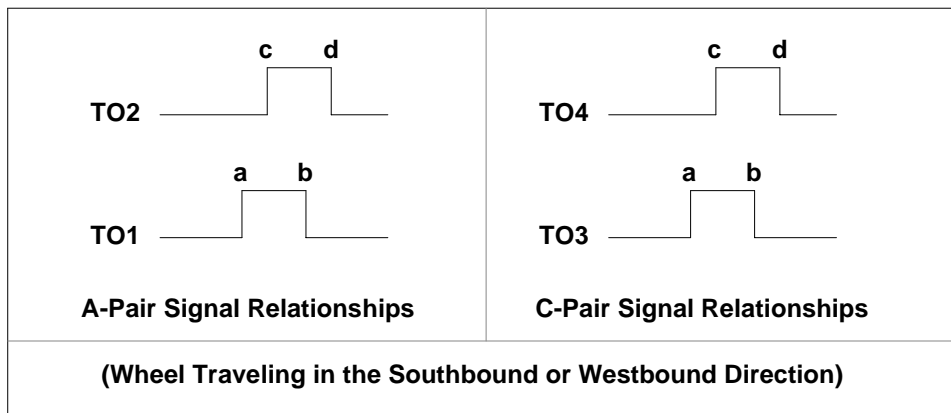
6	Axle count field decoded from tag record
R	Tags of a pair read: R = Right only, L= Left only, G = "Good" - both tags of a pair read.
L	The "Tag Detail Status" field that would appear in a T94 RRE record with this tag. K = OK, A = Axles error, L= Length error, P = Platform Code error, W = Window violation, M = Multiple
5	The Equipment Group Code (EGC) field decoded from the tag record
IC 2461	The Owner Code and Equipment Number fields decoded from the tag record
P 0	The Platform Code decoded from the tag record
0 0	The timestamp and adjusted timestamp that reflect when the tag was read by Antenna 0 (elapsed time, in milliseconds, from presence detection). 0 indicates tag was not read by Antenna 0. The adjusted timestamp reflects an offset added that the handshakes field is used to calculate
3646 3672	The timestamp and adjusted timestamp that reflect when the tag was read by Antenna 1 (elapsed time, in milliseconds, from presence detection). The adjusted timestamp reflects the addition of an offset that is calculated using the Handshakes field
0 9	Handshakes for tag read by Ant0 Ant1; 0 indicates tag was not read by the respective antenna
23	The length field decoded from the tag record
0000	Diagnostic flags field; used by STC in isolating tag association/reporting issues.

Wheel Detector Detail Data Lines

Notes regarding the data used in the following example:

- Each wheel detector contains two sensing elements. Where the dual-wheel detector configuration is used, the wheel detectors are labeled the A-Pair and the C-Pair. So, in the Wheel Detector Data Detail figure in the **W/D Pair Identifier** column, the 'A's and 'C's refer to data/records produced by the A-Pair and C-Pair wheel detectors, respectively.
- The sense elements within the A-Pair wheel detector are referred to as T01 and T02.
- The sense elements within the C-Pair wheel detector are referred to as T03 and T04.
- The signals generated by the T01 and T03 wheel detector elements are labeled: ab.
- The signals generated by the T02 and T04 wheel detector elements are labeled: cd.

The relationships between the signals produced by the elements of each of the wheel detector pairs are shown in the Wheel Detector Signal Relationships diagram below.



Wheel Detector Signal Relationships

Note that, as depicted in the diagram above, where ab and cd are used in conjunction with the wheel detector element signals;

- a –refers to a signal rising edge
- b –refers to a signal falling edge
- c –refers to a signal rising edge
- d –refers to a signal falling edge

The A-Pair wheel detector is installed as the **northernmost** wheel detector on a **north-south** track. The A-Pair wheel detector is installed as the **easternmost** wheel detector on an **east-west** track.

(Diagnostic Train Detail Report, cont.)

In summary, in respect to the wheel detector data records (as depicted in the figure below), where the A-Pair wheel detector is referenced, ab refers to the rising and falling edges, respectively, of a signal produced by T01, and cd refers to the rising and falling edges, respectively, of a T02 produced signal.

A	B	C	D	E	F	G				H		I
1	0	C	4	1910	cadb	1910	1924	1968	1978	58	54	68
1	0	C	4	178	cadb	2156	2170	2215	2225	59	55	69
1	0	A	4	2282	cadb	2282	2299	2349	2353	67	54	71
1	0	C	4	191	cadb	2416	2429	2474	2484	58	55	68
1	0	A	4	175	cdab	2528	2594	2545	2599	66	54	71
1	0	A	4	188	cdab	2787	2851	2804	2857	64	53	70
1	1	C	4	1036	cdab	3520	3578	3534	3588	58	54	68
1	1	C	4	177	cdab	3765	3824	3779	3834	59	55	69
1	1	A	4	1033	cdab	3890	3956	3907	3960	66	53	70
1	1	C	4	187	cdab	4021	4082	4035	4092	61	57	71
1	1	A	4	174	cdab	4134	4201	4151	4205	67	54	71
1	1	A	4	186	cdab	4391	4457	4409	4462	66	53	71

Refer to the corresponding columns in the table below for descriptions of the fields in the image above. *Note: the data shown above was generated at an AEI site where the dual-wheel detector configuration was used.*

Wheel Detector Detail Data Lines	
A-- Prelim. Car Number	This number gets assigned to the wheel detector records when they are first generated. This number represents a first rough-cut at the consist breakout and is useful to STC for diagnostic purposes.
B-- TruckNumber	This number is assigned to the wheel detector records as they are evaluated by the system consist/vehicle breakout logic as the individual trucks of a consist are identified.
C-- W/D Pair Identifier	This field identifies which wheel detector generated the data for the record. In the above example, the highlighted horizontal line contains an A for this field. This means that the data in the record was generated by the A-Pair wheel detector. Further, this means that the ab and cd references in the "Pulse Edge Labels" column of the record refer to T01 and T02, respectively. The W/D Pair Identifier fields in consecutive records form a predictable pattern. In the example shown, the CCACAA pattern of the first six records is the pattern generated by the first truck of a six-axle locomotive . A locomotive traveling in the opposite direction would produce the pattern AACACC . Where the wheel detectors are operating properly, the trucks of four-axle vehicles will typically produce the following pattern CAA or AACC , depending upon the direction of travel.
D-- Pulse Edge Count	This field indicates the number of pulse edges that were recorded for the record. Where the wheel detectors are operating properly, this field will contain the value 4. Where a wheel detector is misaligned, this field could contain the value 2 (where one of the wheel detector elements did not fire), or it could contain the value 5 (where multiple hits were generated by one or more of the wheel detector elements).

E-- Offtime	This field contains the amount of time, in milliseconds, that elapsed between the previous hit (wheel crossing) of the indicated wheel detector pair and the hit represented by a given detail data record. In the example above, the designated horizontal line contains the value 2282. This value indicates that 2282 milliseconds (2 seconds, 282 milliseconds) separated the wheel/axle represented by the record and the wheel/axle represented by the previous A-Pair record (2282 milliseconds separated consecutive "hits" on the A-Pair wheel detector). In this case, the 2282 milliseconds elapsed between initial detection of train presence and when the first wheel crossed the A-Pair wheel detector.
F-- Pulse Edge Labels	This field indicates which element(s) of a wheel detector fired to produce the record and in which order. The order of the letters/labels in this field indicates how the values in the subsequent "Rising/Falling Edge Timestamps" field are ordered. In the example above, the designated horizontal line contains cadb in this field. Because the "W/D Pair Identifier" field for this record indicates the A-Pair wheel detector produced this record, the cd in this field refers to the rising and falling edges produced by T02 , and ab refers to the rising and falling edges produced by T01 . Referring to the "Rising/Falling Edge Timestamps" field, wheel detector element T02 was energized at 2282 milliseconds and was de-energized at 2349 milliseconds elapsed time since presence detection. Note that this corresponds to the value 67 (milliseconds) in the "Lead W/D Pair Pulse Within" column of this record. Where only a cd or only an ab appears in this field, this indicates that one of the elements with a wheel detector did not activate for the wheel represented.
G-- Rising/Falling Edge Timestamps	The values in these fields represent the elapsed time, in milliseconds, since train presence was detected, that a change in signal state was detected at a wheel detector input. The contents of the "Pulse Edge Labels" field, in conjunction with that of the "W/D Pair Identifier" field are used to interpret the values shown for a given record. In the example above, the highlighted horizontal record indicates that a wheel first activated wheel detector element T02 at 2282mS then activated T01 at 2299mS. Subsequently, T02 deactivated at 2349mS, and T01 deactivated at 2353mS.
H-- Pulse Widths	This field indicates the amount of time that each element within a wheel detector was energized as a wheel crossed over it. In the highlighted line in the example above, because the record was produced by the A-Pair wheel detector and the T02 element was the first element activated, the Pulse Widths fields indicate that the T02 wheel detector element was active for 67 mS and the T01 element was active for 54 mS. Ideally, the values in these fields should be within five milliseconds of each other. Unbalanced values in these fields indicate that one element within a wheel detector is more sensitive than the other. This might indicate a physically misaligned wheel detector, or it could just mean that the wheel detector elements are in need of being aligned or adjusted.
I-- Wheel Dwell Time	This field indicates the amount of time, in milliseconds that a given wheel took to cross completely over a wheel detector. In the example above, the designated record indicates that the represented wheel took 71 milliseconds to cross completely over the wheel detector.

Below is an example of a Diagnostic Train Detail Report where a single Tiefenbach wheel detector was used.

```

=====
Southern Technologies Corporation
Model 2600 AEI Reader
Diagnostic Train Detail Report

Run Date: 02/06/2023 08:44:07          Cromwell Rd
=====

File Name: 202008060815_0023.trn
=====
Train : 23      Axles   : 100      Total N/E S/W
Date  : 02-08-23  Cars    : 25      Vehicle Count : 25  0  25
Time  : 01:40    Max Speed: 10    Locos Tagged  : 2   0  2
Dir   : S        Min Speed: 6      Untagged     : 0   0  0
Length: 1563 ft  Avg Speed: 9     Railcars Tagged: 23  0  23
                               Untagged     : 0   0  0
=====
Txdr. Count Fltr |      Count      | Total Tags Read: 49
T01 : 100  0 | PairA: 100      |
T02 : 100  0 |                |
T03 : 0  0 | PairC: 0        | Tag Count : 25  24
T04 : 0  0 |                | Avg Hndshks: 22  31
                               Timestamp : Y   N
=====

L
D e          T94
Car Num Num Num          i a          Start End
Num Axls Trks Plat Vehicle ID r d Spd Len Car Ax Tg Time Time
-----
1  4  1  0 WAMX 3908  S B  6 30  1  4  1  1  3349 0406
Lead-T:0 S:1 E:3349 Trail-T:0 S:-629 E:3349
4 GL 5 WAMX 3908  2 P 4  1777|1920 377|494 26|23 59 2000
1  0 A 4  0 acbd 0 23 82 106 82 83 106
1  0 A 4  629 acbd 629 652 711 735 82 83 106
1  0 A 4  1604 acbd 2233 2255 2317 2341 84 86 108
1  0 A 4  626 acbd 2859 2882 2944 2968 85 86 109

2  4  1  0 WAMX 3909  S A  6 34  2  4  1  3351 7121 0406
Lead-T:1 S:3351 E:7121 Trail-T:1 S:3218 E:7121
4 GL 5 WAMX 3909  2 P 4  5737|5880 4047|4229 26|33 59 2000
1  1 A 4  983 abcd 3842 3921 3865 3945 79 80 103
1  1 A 4  624 abcd 4466 4550 4488 4574 84 86 108
1  1 A 4  1592 abcd 6058 6142 6081 6165 84 84 107
1  1 A 4  626 abcd 6684 6761 6707 6785 77 78 101

3  4  2  1 NS 198527 S A  9 75  3  4  1  7122 12394 0405
Lead-T:2 S:7122 E:8575 Trail-T:3 S:11261 E:12394
4 GK 19 NS 198527 2 P 0  11327|11457 7497|7666 24|31 75 2000
1  2 A 4  876 abcd 7560 7644 7582 7667 84 85 107
1  2 A 4  406 abcd 7966 8045 7989 8069 79 80 103
1  3 A 4  3696 abcd 11662 11741 11684 11764 79 80 102
1  3 A 4  401 abcd 12063 12144 12085 12167 81 82 104
.
.
.

```

Diagnostic Train Detail Report—Use of Single Tiefenbach Wheel Detector

7.10.10 Raw Train Data Report

The "Raw Train Data Reports" option provides a menu that gives access to low-level, unprocessed, timing and tag data information.

```
STC Model 2600 AEI Reader, Site Name: CromwellRd
Tue Feb 28 15:20:02 EST 2023
Diagnostic Report Menu
-----
A) Diagnostic Train Summary
B) Diagnostic Train Detail
C) Diagnostic Train Detail (Last Train)
D) Diagnostic Train Detail (Range Of Trains)
E) Raw Train Data Reports
X) Exit Menu
?
```

The "Raw Train Data Reports" option provides a menu that gives access to low-level, unprocessed, timing and tag data information. The data provided by these reports represents the, "as acquired", timing and raw data that the 2600 Reader records during train passage. Wheel detector timing and AEI tag data, with timing, is available.

```
STC Model 2600 AEI Reader, Site Name: CromwellRd
Tue Feb 28 15:20:59 EST 2023
Raw Train Data Reports Menu
-----
A) Unprocessed Data Report
B) Unprocessed Tag Data Only
C) Matched Tag Data Format
D) Unprocessed Wheel Detector Data Only
X) Exit Menu
?
```

The data provided by these reports represent the "as acquired" timing and raw data that the 2600 Reader records during train passage. Wheel detector timing and AEI tag data are available.

Unprocessed Data Report

This report presents all of the raw data records acquired by the reader during train passage. All of the wheel detector timing data is printed first. Then the tag data records are printed.

```

File Date: 202309011347 TrainNum: 14 cbaCount: 736 tagCount: 183
=====
Train: 14 | Direction: N |
Date: 03-01-2023 | CBA Rec's: 736 |
Time: 13:47 | Cars: 91 | Rdr1 Rdr2
Timestamp: Y N
=====
Txdr. Count Fltr |
T01: 368 0 |
T02: 368 0 |
T03: 368 0 |
T04: 368 0 |
=====
1 0 C 4 0 cadb 0 7 22 29
1 0 C 4 84 cadb 113 120 135 142
1 0 A 4 194 cadb 194 201 216 223
1 0 C 4 83 cadb 225 233 247 254
1 0 A 4 84 cdab 307 329 314 336
1 0 A 4 84 cdab 420 441 427 448
1 1 C 4 538 cdab 792 814 799 821
1 1 C 4 84 cdab 905 927 912 934
1 1 A 4 538 cdab 986 1008 993 1015
.
.
.
.
Tag
EGC Axls Len Type Side Time Stmp Ant HShakes Raw Tag Data
-----
CSXT 960 5 6 223 4 L 853 2 12 +C2?0 \ WRE!!!! NAS
CSXT 3225 5 6 223 4 L 1643 1 7 +C2?0#)DWRE!!!! NAS
CSXT 3225 5 6 223 4 R 2133 2 7 +C2?0#)FWRE!!!! NAS
CAIX 490594 19 4 177 4 R 2643 1 2 GB=JG?&*L1D NAS
CAIX 490594 19 4 177 4 L 3283 2 6 GB=JG?&(L1D NAS
UP 14038 19 4 177 4 R 3633 1 12 GXO3 -M:L1@ NAS
UP 14038 19 4 177 4 L 4303 2 13 GXO3 -M8L1@ NAS
WRWK 407088 19 4 138 4 R 4703 1 12 G[1/&-C"BAD S
WRWK 407088 19 4 138 4 L 5023 2 12 G[1/&-C BAD S
TTZX 862032 19 4 242 2 L 5463 1 12 FWPH])U \AD NAS
TTZX 862032 19 4 243 4 R 6433 2 12 GWPH])U" \Q@0 S
.
.
.

```

Unprocessed Tag Data Only

This report presents just the tag data records that were acquired during train passage.

```

File Date: 202309011347 TrainNum: 14 cbaCount: 736 tagCount: 183
=====
Train: 14 | Direction: N |
Date: 03-01-2023 | CBA Rec's: 736 |
Time: 13:47 | Cars: 91 | Rdr1 Rdr2
Timestamp: Y N
=====
Txdr. Count Fltr |
T01: 368 0 |
T02: 368 0 |
T03: 368 0 |
T04: 368 0 |
=====
Tag
EGC Axls Len Type Side Time Stmp Ant HShakes Raw Tag Data
-----
CSXT 960 5 6 223 4 L 853 2 12 +C2?0 \ WRE!!!! NAS
CSXT 3225 5 6 223 4 L 1643 1 7 +C2?0#)DWRE!!!! NAS
CSXT 3225 5 6 223 4 R 2133 2 7 +C2?0#)FWRE!!!! NAS
CAIX 490594 19 4 177 4 R 2643 1 2 GB=JG?&*L1D NAS
CAIX 490594 19 4 177 4 L 3283 2 6 GB=JG?&(L1D NAS
UP 14038 19 4 177 4 R 3633 1 12 GXO3 -M:L1@ NAS
UP 14038 19 4 177 4 L 4303 2 13 GXO3 -M8L1@ NAS
WRWK 407088 19 4 138 4 R 4703 1 12 G[1/&-C"BAD S
WRWK 407088 19 4 138 4 L 5023 2 12 G[1/&-C BAD S
TTZX 862032 19 4 242 2 L 5463 1 12 FWPH])U \AD NAS
TTZX 862032 19 4 243 4 R 6433 2 12 GWPH])U" \Q@0 S
.
.
.

```

Matched Tag Data Format

This report presents just tag data, as matched pairs of tags.

```

File Date: 202309011347 TrainNum: 14 cbaCount: 736 tagCount: 183
=====
Train: 14 | Direction: N |
Date: 03-01-2023 | CBA Rec's: 736 |
Time: 13:47 | Cars: 91 | Rdr1 Rdr2
Timestamp: Y N
=====
Txdr. Count Fltr |
T01: 368 0 |
T02: 368 0 |
T03: 368 0 |
T04: 368 0 |
=====
Tag Counts HS Avg Rdr Type
-----
Ant0: 91 11 MPRR
Ant1: 92 12 None
Total: 183 Handshake values have been re-allocated
=====
Tag Number EGC Tag Timestamps Handshakes
Axls Ant0 Ant1 Ant0 Ant1
-----
CSXT 960 5 6 0 853 0 7
CSXT 3225 5 6 1643 2133 2 6
CAIX 490594 19 4 2643 3283 12 13
UP 14038 19 4 3633 4303 12 12
WRWK 407088 19 4 4703 5023 12 12
TTZX 862032 19 4 5463 6433 12 12
TTZX 84179 19 4 6853 7823 12 13
.
.
.

```

Unprocessed Wheel Detector Data Only

This report presents just the wheel detector data acquired for a train.

```

File Date: 202309011347 TrainNum: 14 cbaCount: 736 tagCount: 183
=====
Train: 14 | Direction: N |
Date: 03-01-2023 | CBA Rec's: 736 |
Time: 13:47 | Cars: 91 | Rdr1 Rdr2
Timestamp: Y N
=====
Txdr. Count Fltr |
T01: 368 0 |
T02: 368 0 |
T03: 368 0 |
T04: 368 0 |
=====
1 0 C 4 0 cadb 0 7 22 29
1 0 C 4 84 cadb 113 120 135 142
1 0 A 4 194 cadb 194 201 216 223
1 0 C 4 83 cadb 225 233 247 254
1 0 A 4 84 cdab 307 329 314 336
1 0 A 4 84 cdab 420 441 427 448
1 1 C 4 538 cdab 792 814 799 821
.
.
.

```


8.0 Customer Service

At STC, the customer is number one. STC is committed to products that work and customers that are satisfied. Nothing less is acceptable. This chapter tells how to get answers to questions, fixes for problems, and parts for spares.

8.1 Reaching STC

You can reach STC by mail, phone, fax, and email. By *mail*, you can reach STC at:

Southern Technologies Corporation
6145 Preservation Drive
Chattanooga, Tennessee 37416-3638

Mail and shipments are replied to as soon as possible, normally within one working day. Equipment repair may take longer.

By *telephone*, except on major holidays, you can reach STC at 423-892-3029, Monday through Friday, from 8:00 a.m. until 5:00 p.m. EST. After business hours, a machine answers the calls. These calls are returned promptly the next business day. By *fax*, you can reach STC at 423-499-0045. The fax machine can receive faxes at all times. Faxes are replied to as soon as possible, normally within one working day. By *email* you can reach STC at stcemail@southern-tech.com. Email is replied to as soon as possible, normally within one working day.

8.2 Returning Equipment for Repair

Return any defective or malfunctioning equipment to STC for repair or replacement. You don't need a return authorization number. You don't even need to make a phone call first. Just ship it directly to the **Repair Department** at the address above.

With the returned equipment, include:

- complete address where the equipment is to be returned;
- name and phone number of the person who should be contacted to answer questions about the equipment;
- a written explanation of the equipment defect or malfunction;
- any reports or other data that would help diagnose the problem;
- if out of warranty, Purchase Order number for the order *or* credit card number (to be charged) with its expiration date.

8.3 Reporting Problems or Suggestions

If you have any problems, suggestions, or questions related to STC equipment, phone the **Engineering Department** at the phone number above. When calling, state the equipment you are calling about. Your call will then be directed to the right person.

8.4 Ordering Spare Parts

If you need any spare parts to support STC equipment, phone or fax the **Sales Department** at the phone numbers provided.

When calling, state that you are calling to order parts. Your call will then be directed to the right person. When placing the order, reference the STC part numbers listed in this guide. However, if you don't have the part numbers, the sales staff can obtain them for you and provide you with current pricing and availability.

When faxing, include:

- Purchase Order number for the order *or* credit card number (to be charged), with its expiration date;
- complete address where the parts are to be shipped;
- complete address where the invoice is to be mailed;
- name and phone number of the person who should be contacted to answer questions about the order;
- your fax number, if available;
- for each item ordered, part number, complete description, and quantity needed.

8.5 Checking on Shipments and Orders

If you need to check on the status of any shipment or order, phone or fax the **Sales Department** at the phone numbers above.

When calling, state that you are checking the status of a shipment or order. Your call will then be directed to the right person. Have your Purchase Order Number ready when you call. However, if you don't have the order number, the sales staff can obtain it for you and provide you with the status of the shipment or order.

When faxing, include:

- Purchase Order number for the shipment or order being checked;
- name and phone number of the person who should be contacted after the order status is checked;
- your fax number, if available.

8.6 Glossary of Terms

A

AAR Billing Code: *Pertains to Session Configuration Menu and Maintenance Session Configuration*
Loosely identifies the railroad the reporting session is configured to or for.

AC: *Pertains to AC Status*

Indicates when the system's AC sense circuit confirms presence of 110 VAC service.

Ammeter: An instrument for measuring the flow of electrical current in amperes.

Ampere: The fundamental unit of measure for electric current. One ampere is defined as the current that flows when a potential of one volt is impressed on a resistance of one Ohm (Ω).

Ant. Offset From Wheel Detectors: *Pertains to Setup Menu Options*

This option is applicable only where a system is configured with a single wheel detector, and provides a means for specifying the distance a site's antennas are from being centered on the system's wheel detector.

Antenna Between Tracks: *Pertains to Setup Menu Options*

This option is used to specify which antenna is located between the tracks at a multi-track site. This information is used in the filtering of cross-track reads that might occur in a multi-track installation.

Automatic Block Signal (ABS): A train control subsystem based on a series of consecutive blocks governed by block signals which are controlled by the movement of trains and certain other conditions (e.g., detection of level crossing closure) rather than by a signaller.

Automatic Equipment Identification (AEI): An electronic recognition system consisting of passive tags mounted on each side of rolling stock and active trackside readers.

Auto Reporting: *Pertains to Session Configuration Menu and Maintenance Session Configuration*

This parameter is used to activate and deactivate the reporting session.

Aux. Input: *Pertains to Auxiliary I/O Status*

Indicates when the system's auxiliary input is active.

B

Ballast: Selected material, such as crushed rock/broken stone, used for the foundation of a railway track.

Baud Rate: *Pertains to Session Configuration and Maintenance Session Configuration Menu*

This option is used to specify the baud rate the system modem is to use when initiating a dial-out connection with a remote modem.

Bonding: Cadweld manufactures a complete line of bond welding systems that are commonly used in the rail industry. The recommended practice is to weld a short length of bond strand to the web of each rail.

Bushing: A hollow insulator, allowing a conductor to pass along its center and connect at both ends to other equipment.

C

Calibration: The determination or rectification of the graduations used on a testing instrument.

Car Num (Car Number): *Pertains to Train Detail Report and Vehicle Data Line Summary*
This field contains the sequential number of each vehicle detected in the train consist.

Chickenhead: Tapered solid metal inserts that can be driven into the 3/8" holes to establish a permanent connection to the rail.

Conduit: A pipe, tube, or tile for protecting electric wires or cables.

Configure time synch with NTP Server: *Pertains to System Functions Menu*
The Network Time Protocol (NTP) provides a means for synchronizing a computer's clock with a known good source that is accessible via a network connection. Through this option, an NTP server can be used to ensure the accuracy of the 2600 Controller's clock.

Consist: The standing order of vehicles in a train.

COP (FEP/IPC): *Pertains to LED Status Panel Feature*
Indicates the status of the FEP or IPC board, respectively.

Current: Movement of electricity along a conductor. Current is measured in **amperes**.

D

Date/Time: *Pertains to Train Summary Report*
These fields reflect the date and time at which a train arrived at the Reader site.

Delete All Train Data: *Pertains to Configure Network Interfaces Menu*
Provides a means for clearing out the Model 2600 Controller's train data directory.

Destination Directory: *Pertains to Session Configuration Menu and Maintenance Session Configuration Menu*
This parameter is used to specify a directory on the remote server/computer to which this session directs maintenance reports (in which reports are to be routed to in accordance with the selected reporting protocol (e.g., where the FTP has been specified).

Dir (Direction): *Pertains to Train Detail Report, Train Summary Report, Vehicle Data Line Summary, and Diagnostic Train Detail Report*
This field indicates the direction each vehicle was traveling as it exited the Reader site.

Durat (Duration): *Pertains to Train Summary Report*
This field reflects the elapsed time, in seconds, which it took for a train to completely cross a Reader site.

E

E: *Pertains to Truck Timing Information Line*
The elapsed time, in milliseconds, from presence detection, that the lead truck exited the site.

EGC (Equipment Group Code): *Pertains to Train Detail Report*
This field contains the "Equipment Group Code" field decoded from the vehicle's identifying AEI tag.

Extended Delay: *Pertains to Maintenance Session Configuration Menu*

This parameter is used to specify a wait period for the 2600 Controller in the case where it is having difficulty establishing a connection with a remote server/computer.

F

Flags, NE SW: *Pertains to Diagnostic Train Detail Report*

This field reflects the possibility that two different T94 reports could be generated for the same consist.

Flange (of a wheel): The vertical projection along the inner rim of a wheel that serves, in conjunction with the flange of the mating wheel, to keep the wheelset on the track, and provides the lateral guidance system for the mounted pair.

Front-End Processor (FEP): A small computer that receives data from input devices and performs some initial processing tasks on it before passing it to a more powerful computer for final processing.

G

Ground: The reference point in an electrical circuit from which other voltage is measured, or is a common return path for electric current or a direct physical connection to the earth.

H

Handshake: The number of times a given tag was read as it passed through the RF signal produced by the trackside AEI antennas.

Header: *Pertains to Session Configuration Menus*

This parameter is used to specify a line of text that is to precede any maintenance report delivered in accordance with the reporting session. Some of the available, predefined reporting protocols require a header in a specified format. For those reporting protocols that do not require it, this parameter will be ignored.

Heat Sink: A passive component that cools a device by dissipating heat into the surrounding air.

Host Name/IP: *Pertains to Session Configuration Menu Details*

This parameter is used to specify the name or IP address of the remote server/computer to which the session directs T94 reports.

I

Include Century Field: *Pertains to Maintenance Session Configuration Menu*

Some versions of the S-918 specification included a requirement for a two-digit field that specifies the year/century of the date that a maintenance report is generated. This parameter provides the option of either including this field or omitting it.

IPC (Industrial PC): A PC-based computing platform for industrial applications. It is used primarily for process control and/or data acquisition. The software can be custom written for a particular application or an off-the-shelf package.

J

K

L

Lead: *Pertains to Vehicle Data Line Summary*
Identifies the orientation of the car.

Lead-T: *Pertains to Truck Timing Information Line*
The sequence number assigned to the lead truck of a vehicle.

Lead Veh ID (Lead Vehicle Identifier): *Pertains to Train Summary Report*
This field contains the Owner and Number fields decoded from the AEI tag that was read on the first vehicle of a train.

Legacy: Of or pertaining to old or outdated computer hardware, software, or data that, while still functional, does not work well with up-to-date systems.

Len/Length: *Pertains to Train Detail Report and Vehicle Data Line Summary*
This field contains the length calculated for each vehicle (based upon speed and wheel detector signal timing).

Light-Emitting Diode (LED): A semiconductor diode that emits light when conducting current, and is used in electronic equipment, especially for displaying readings on digital watches, calculators, etc.

Liquid Crystal Display (LCD): A display device utilizing a special crystal fluid to allow segmented displays.

Load Default Settings: *Pertains to Setup Menu Options and Track Hardware Setup Menu*
This option will set parameters to the default values.

Local Area Network (LAN): A network that links together computers and peripheral equipment within a limited area, such as a building or a group of buildings. The computers in a LAN have independent central processing units, but they are able to exchange data with each other and to share resources, e.g., printers.

Lock: *Pertains to Reader Module Status*
Indicates when an AEI tag has been "acquired" by the Reader.

Login ID: *Pertains to Session Configuration Menu Details*
This parameter is used to specify a login ID that is expected by the server/computer to which the session directs T94 reports or maintenance reports, in accordance with the selected reporting protocol.

M

MPR(x): The Multiprotocol Rail Reader is a high power AEI tag reader. It reads full frame tags supported by AAR format. The MPR(x) has a multiplexed output so only one reader is needed per track.

Mast: As it relates to the Model 2600 Controller, mast pertains to the vertical pole on the AEI antenna.

Max Retry Attempts: *Pertains to Session Configuration Menu Details*
This parameter is used to specify the number of times the 2600 Controller is to attempt to deliver a T94 report for a reporting session before pausing, in the event that phone issues preclude delivery of a report.

Maximum Number Of Stored Trains: *Pertains to Setup Menu Options*
This option is used to specify the number of train data files that should be maintained at a given time.

Maximum Train Number: *Pertains to Setup Menu Options*

This option is used to specify the maximum number that will be assigned to a train as it is processed by the Model 2600 Controller. Trains are numbered consecutively from 1 to the maximum specified. When the specified Maximum Train Number is reached, the next train read will be assigned the number 1.

Minimum Axle Count: *Pertains to Session Configuration Menu Details*

This parameter is used to specify the minimum train/consist size that the 2600 Controller is to report to the server/computer referenced by the session.

Multi-Track Site: *Pertains to Setup Menu Options*

This option is used to specify whether the Model 2600 Controller is installed at a multi-track site

N

Num Axles (Number of Axles): *Pertains to Train Summary Report*

This field contains the number of axles that were detected for a given train by the system's wheel detectors.

Num Axls (Number of Axles): *Pertains to Train Detail Report*

This field contains the number of axles associated with each vehicle as determined by the 2600 Controller's consist breakout logic (based upon wheel detector signal timing).

Num Axles, Trn (Number of Axles, Train): *Pertains to Diagnostic Train Detail Report*

This field reflects the number of axles that were detected by the system's wheel detectors.

Num Cars (Number of Cars): *Pertains to Train Summary Report and Diagnostic Train Detail Report*

This field contains the count of the number of vehicles (locomotives and railcars) that were identified in a train.

Num Plat (Number of Platforms): *Pertains to Train Detail Report and Vehicle Data Line Summary*

This field contains the number of platforms that the consist breakout logic has determined are associated with each vehicle.

Num Trks (Number of Trucks): *Pertains to Train Detail Report and Vehicle Data Line Summary*

This field contains the number of trucks that the consist breakout logic has determined are associated with each vehicle.

O

Offtime: *Pertains to Wheel Detector Detail Data*

This field contains the amount of time, in milliseconds, that elapsed between the previous wheel crossing of the indicated wheel detector pair and the wheel crossing represented by a given detail data record.

Ohm: A unit of electric resistance. One ohm is equal to that resistance required to cause a one-volt drop in potential when the current is one amp.

On Hold: *Pertains to Train Summary Report and Diagnostic Train Detail Report*

The 2600 Controller has failed in at least five attempts to transmit the T94 Report for the indicated train and is waiting for the next train to cross the site before making further attempts.

Operating System (OS): The collection of software that directs a computer's operations, controlling and scheduling the execution of other programs, and managing storage, input/output, and communication resources.

Output-1/Output-2: *Pertains to Auxiliary I/O Status*

Indicates when the system's configurable output is active.

Override FEP CRC Check: *Pertains to Configure Network Interfaces Menu*

This option is normally required only during the manufacturing process the first time a system is powered up.

P

Password-Session Config: *Pertains to Session Configuration Menu Details and Maintenance Session Configuration Menu*

This parameter is used to specify a password that is expected by the server/computer to which this session directs T94 and maintenance reports, in accordance with the selected reporting protocol.

Passwords-Menu Access: *Pertains to Configure Network Interfaces Menu*

Provides the means for changing the passwords for each of the different system login identifiers for guest, tech, and system.

Phone Number: *Pertains to Session Configuration Menu Details and Maintenance Session Configuration Menu*

This option is used to specify the phone number the site is to use when attempting to deliver T94 reports for a reporting session. Applies only when a dial-out modem is installed in the system.

Pinout: The allocation of logical functions or signals to the electrical connection points (pins) of an integrated circuit or other component or connector.

Plumb: To precisely place in a perpendicular or vertical direction.

Polarity: A collective term applied to the positive (+) and negative (-) ends of a magnet or electrical mechanism such as a coil or battery.

Prelim Car Number: *Pertains to Wheel Detector Detail Data*

The number that gets assigned to the wheel detector records when they are first generated.

Presence: *Pertains to Track Equipment*

Indicates when the presence input to the Model 2600 Processor module is active.

Presence Input Debounce Filter: *Pertains to Track Hardware Setup Menu Options*

This option is used to specify, in milliseconds, the amount of time to wait before considering an active presence signal as valid. Its purpose is to filter noise/signals detected by the presence subsystem that are not generated by an approaching train.

Presence Timeout Period: *Pertains to Track Hardware Setup Menu Options*

This option is used to specify the amount of time, in seconds, that the Model 2600 Controller should wait before closing out the processing of a train. The Presence Timeout parameter determines how many seconds of inactivity (e.g., where presence has cleared and no signals are received from the wheel detectors) should pass before the reader considers a given train to have cleared the site.

Pulse Edge Count: *Pertains to Wheel Detector Detail Data Lines*

This field indicates the number of pulse edges that were recorded for the record.

Pulse Edge Labels: *Pertains to Wheel Detector Detail Data Lines*

This field indicates which element or elements of a wheel detector fired to produce the record, and in which order.

Pulse Width: *Pertains to Wheel Detector Detail Data Lines*

This field indicates the amount of time that each element within a wheel detector was energized as a wheel crossed over it.

Q

R

Rail Crown: Refers to the highest vertical point of the railhead.

Rail Head: The farthest point to which the rails of a railroad have been laid. May also refer to the upper part of a rail, used for supporting and guiding the wheels of railroad cars.

Reader Module Direct Comm. Link: *Pertains to Configure Network Interfaces Menu*

Provides a means for communicating directly with the system's MPR(x). These options are provided for troubleshooting purposes.

Rejected: *Pertains to Train Summary Report and Diagnostic Train Detail Report*

The T94 report for the indicated train was rejected by the receiving server/computer in at least five attempts to transmit it.

Report Delimiter: *Pertains to Session Configuration Menu Details and Maintenance Session Configuration Menu*

This parameter is used to specify what character, if any, is to be used to delimit the fields in the T94 reports generated in association with the reporting session.

Report Raw Tag Records: *Pertains to Session Configuration Menu Details*

This parameter is used to specify whether the 2600 Controller is to include in the T94 reports generated for this session the 20-character raw (six-bit) form of the AEI tags read by the Reader for each consist.

Report Reverse-out Trains: *Pertains to Session Configuration Menu Details*

This option is used to specify whether the reporting session is to report those trains/movements when the train pulls onto the site and the reverses back off of the site.

Reporting Interval: *Pertains to Maintenance Session Configuration Menu*

This parameter is used to specify the amount of time that should elapse between the 2600 Controller's attempts to transmit a maintenance report. For instance, if the Reporting Interval was set to 02:00 (2 hours) the 2600 Controller would attempt to transmit a maintenance report every two hours.

Reporting Protocol: *Pertains to Session Configuration Menu Details and Maintenance Session Configuration Menu*

This parameter is used to specify, to the 2600 Controller, which pre-defined protocol is to be used when communicating with the remote server/computer.

Retry Delay Time: *Pertains to Session Configuration Menu and Maintenance Session Configuration Menu*

This parameter is used to specify the amount of time, in minutes, that the 2600 Controller is to wait between failed attempts to transmit a maintenance report to the server/computer referenced by this session.

RFID (Radio-frequency Identification): An automatic identification method which relies on storing and remotely retrieving data using devices called RFID tags or transponders.

Rising/Falling Edge Timestamps: *Pertains to Wheel Detector Detail Data*

The values in these fields represent the elapsed time, in milliseconds, since train presence was detected, that a change in signal state was detected at a wheel detector input.

S

S: *Pertains to Truck Timing Information Line*

The elapsed time, in milliseconds, from presence detection, that the lead truck entered the site.

S-918 Compliant: Refers to the design, construction, operation, performance, and coding principles for the AEI system, which shall comply with the requirements of Association of American Railroads (AAR), Standard S-918, in Section K of the AAR Manual of Standards and Recommended Practices.

Serial Pass-Thru: *Pertains to Configure Network Interfaces Menu*

Provides a means for communicating with a device that is connected to the Model 2600 Controller's COM2 serial port.

Sessions: *Pertains to Diagnostic Train Detail Report*

These fields reflect the progress made by the activated T94 reporting sessions in reporting the referenced train.

Set Date and Time: *Pertains to Setup Menu Options*

This option provides a dialog for setting the system date and time

Set Time Zone: *Pertains to Setup Menu Options*

This option provides a series of menus that guide the user through identifying the time zone that the system is in.

Shunt: A conductor joining two points in a circuit so as to form a parallel circuit through which a portion of the current may pass.

Site ID: *Pertains to Session Configuration Menu and Maintenance Session Configuration*

This parameter specifies the "official" identifier for the AEI Reader site, for reporting purposes. It is used to populate a field in the header of the T94 reports generated for the session.

Site Name: *Pertains to Setup Menu Options*

This option is used to specify an identifier for the site/system. This identifier is used in the header of various train data reports, etc. This identifier is not used when generating T94 reports in the dial-out reporting process (session-specific identifiers are specified via the Session Setup menus).

Skipped: *Pertains to Train Summary Report and Diagnostic Train Detail Report*

The 2600 Controller did not attempt to transmit the T94 report for the indicated train because it failed to meet some criteria established by the reporting session configuration. For example, if the "minimum axle count" is set to 4 and only 2 axles are recorded for a movement, the train will be skipped (for reporting purposes).

Software Update: *Pertains to Configure Network Interfaces Menu*

Provides a means for updating the Model 2600 Controller's system software.

Spd/Speed: *Pertains to Train Detail Report and Vehicle Data Line Summary*

This field contains the speed recorded for each vehicle.

Speed Max, Min: *Pertains to Train Summary Report and Diagnostic Train Detail Report*

These fields contain the maximum and minimum speeds that a train traveled as it crossed the 2600 Controller site.

Success: *Pertains to Train Summary Report Diagnostic Train Detail Report*

The T94 report for the indicated train was successfully transferred as specified by the referenced reporting session.

Synch Clock with Host: *Pertains to Session Configuration Menu Details and Maintenance Session Configuration Menu*

This parameter is used to specify whether the 2600 Controller is to synchronize its clock with that of the remote server using a timestamp supplied by the server.

System Reset Menu: *Pertains to Configure Network Interfaces Menu*

Provides options for resetting/rebooting various system components – the FEP, the IPC, and the MPR(x).

T

T01 – T04: *Pertains to Track Equipment*

Indicates when the referenced wheel detector element is active. These LEDs will be lit when a wheel or other object is positioned over the wheel detector or if there is a break in the wiring between the wheel detector and the Model 2600 Processor module.

T94 Xmit (T94 Transmit): *Pertains to Train Summary Report*

This field is used to indicate the status of the T94 consist reporting process as it affects each train. This field consists of five columns, each of which reflects the status of the five available consist sessions: Success; Rejected; Trying; On Hold; Skipped.

Tag Axls (Tag Axles): *Pertains to Train Detail Report*

This field contains the axle-count field decoded from the vehicles identifying AEI tag.

Tag Consecutive Reads: *Pertains to Track Hardware Setup Menu Options*

This parameter is used by the system to ensure that a read of a given AEI tag is valid. It specifies the number of times a given tag must be “sensed” by the reader module before it can be considered a valid read.

Tag ID Separation: *Pertains to Track Hardware Setup Menu Options*

This parameter is used by the system to filter multiple reads of a given AEI tag. It specifies the number of other tags that must be read before a subsequent read of a given tag is again considered a valid read.

Tags Read, Ant0, Ant1 (Tags Read, Antenna 0, Antenna 1): *Pertains to Train Summary Report*

These two fields contain a count of the number of AEI tags that were read by each antenna as a train crossed the Reader site.

Tag Uniqueness Timeout: *Pertains to Track Hardware Setup Menu Options*

This parameter is used by the system to filter multiple reads of a given AEI tag. It specifies the amount of time that must elapse before a subsequent read of a given tag is again considered a valid read

Telnet Pass-Thru: *Pertains to Configure Network Interfaces Menu*

Provides a means for communicating via Telnet with other Model 2600 Controllers (or other devices) that are connected via an Ethernet network.

Terminal Emulation: The ability to make one computer terminal, typically a PC, appear to look like another, usually older type of terminal so that a user can access programs originally written to communicate with the other terminal type. Terminal emulation is often used to give PC users the ability to log on and gain direct access to legacy programs in a mainframe OS.

Test Active: *Pertains to Auxiliary I/O Status*

Indicates that the Audible Test Function is enabled.

Three-Terminal Arrester (TTA): Generally refers to a protective device for limiting surge voltages by discharging or bypassing surge current, and it also prevents the flow of follow current while remaining capable of repeating these functions. A three-terminal voltage surge arrester is an ionization chamber formed in an electrically conductive housing wherein a pair of opposed electrodes are inserted into the chamber with a gap defined between the opposing ends of the electrodes and another gap defined between the end of each electrode and the housing side wall. The two electrodes constitute the two active terminals of the surge arrester which are connected across an electrical instrument to be protected, whereas the third terminal of the arrester is defined by the housing side wall which is grounded.

Tiefenbach Double-Wheel Detector: A no-contact, electronic sensor consisting of two individual systems that are constructed with special resonant circuits.

Time Zone: *Pertains to Session Configuration Menu and Maintenance Session Configuration*
This parameter is used to specify the time zone in which the 2600 Controller is located.

Torque: A term used to describe the twisting force required to turn a bolt or a rotating shaft. Torque is measured in units of foot-pounds (ft. lbs.) or inch pounds (in. lbs.) and is calculated by multiplying the applied force (in pounds) by the distance to its point of application (in feet or inches).

Track Hardware Configuration Menu: *Pertains to Setup Menu Options*
Provides for the configuration of parameters that affect the wheel detector, presence, and AEI Reader module subsystems of the Model 2600 Controller.

Track Hardware Signal Status: *Pertains to Configure Network Interfaces Menu*
A series of periodic snapshots, provided by the FEP board, of the state of the wheel detector and presence inputs.

Track Orientation: *Pertains to Setup Menu Options*
This option is used to specify whether the Model 2600 Controller is installed on a track that is oriented in the north-south or east-west direction.

Track Switch-1/Track Switch 2: *Pertains to Auxiliary I/O Status*
Indicates when the track switch being monitored by the system has been thrown one way or the other.

Trail-T: *Pertains to Truck Timing Information Line*
The sequence number assigned to the last (trailing) truck of a vehicle.

Train Scanning: *Pertains to Setup Menu Options*
This option is used to enable/disable the system's train scanning function. When this option is set to "Enabled," the system will record consist data. When this option is set to "Disabled," trains that cross the reader site will be ignored.

Transceiver: A transmitter and receiver combined in one unit.

Transponder: A type of radio or radar transmitter-receiver that transmits signals automatically when it receives predetermined signals.

Trn Num (Train Number): *Pertains to Train Summary Report and Diagnostic Train Detail Report*
This column contains the chronologically sequential number assigned to each train as they are processed by the 2600 Controller.

Truck Number: *Pertains to Wheel Detector Detail Data*
The number that is assigned to the wheel detector records as they are evaluated by the system consist/vehicle breakout logic as the individual trucks of a consist are identified.

Trying: *Pertains to Train Summary Report and Diagnostic Train Detail Report*
The 2600 Controller has made at least one attempt to transmit the T94 report for the indicated train, and further attempts will be made to do so.

U

Units of Measure: *Pertains to Session Configuration Menu*

This parameter is used to specify the units of measure used in some T94 reports, such as speed and length.

Unlabeled First Column: *Pertains to Train Summary Report*

In the first column of the report's main body, an asterisk (*) character can appear. When an asterisk character appears in the leftmost column of the report, it indicates that train presence at the 2600 Controller site was first detected by the system's wheel detectors, not by the system's subsystem.

Unlabeled Last Column: *Pertains to Train Summary Report*

The last column on the report indicates the type of movement that the recorded train represented.

USB (Universal Serial Bus): A standard for connection sockets on computers and other electronic equipment.

Use Extended (STC) Code List: *Pertains to Maintenance Session Configuration Menu*

An informal list of possible alternative, vendor-specific "maintenance issue" codes that can be used in the generation of maintenance reports. This parameter provides the option to use the historic/standard code list or to use the AEI User Group's alternative, vendor-specific code list.

User Interface (UI): The aspects of a computer system or program which can be seen (or heard or otherwise perceived) by the end user, and the commands and mechanisms the user uses to control its operation and input data.

V

Vehicle ID (Vehicle Identifier) *Pertains to Train Detail Report*

This field contains the owner code and car number fields decoded from the AEI tag associated with the first vehicle in the consist.

Volt: A unit of electrical pressure (or electromotive force) which causes current to flow in a circuit. One volt is the amount of pressure required to cause one ampere of current to flow against one ohm of resistance.

W

Watt: A unit of measure for indicating the electrical power applied in a circuit. It is obtained by multiplying the current (in amperes) by the electrical pressure (in volts) which causes it to flow.

W/D Pair Identifier (Wheel Detector Identifier): *Pertains to Wheel Detector Detail Data Lines*

This field identifies which wheel detector generated the data for the record.

Wheel Detector: A rail-mounted transducer used to sense the wheels of passing railcars.

Wheel Detector Configuration: *Pertains to Setup Menu Options*

The Model 2600 Controller can operate using either a single (dual element) Tiefenbach wheel detector or two (dual element) Tiefenbach wheel detectors. This option on the setup menu is used to specify the wheel detector configuration of a given site – either Single or Dual.

Wheel Detector Pair Spacing: *Pertains to Track Hardware Setup Menu Options*

This option applies only where a site is configured with dual Tiefenbach wheel detectors. This option is used to enter the actual distance (in inches) measured between the two wheel detector modules

Wheel Detector Pulse Latch Percentage: *Pertains to Track Hardware Setup Menu Options*

This parameter is used to bolster potentially weak or narrow signals detected on the wheel detector inputs. The normal operation of the wheel detector modules dictates that the signals produced by each of the two enclosed detectors (two per module) overlap one another in time.

Wheel Detector Pulse Width Filter: *Pertains to Track Hardware Setup Menu Options*

This parameter is used to specify a value, in milliseconds, to be used to filter errant noise detected on the wheel detector inputs. The Model 2600 Controller will filter (ignore) signals detected at the wheel detector inputs that have a narrower pulse width than the value of the Wheel Detector Pulse Width parameter.

Wheel Dwell Time: *Pertains to Wheel Detector Detail Data*

This field indicates the amount of time, in milliseconds, that a given wheel took to cross completely over a wheel detector.

Wide Area Network (WAN): A computer network that spans a relatively large geographical area.

X

Xfr Att (Transfer Attempts): *Pertains to Diagnostic Train Detail Report*

This field indicates the number of attempts that have been made to transfer the T94 report for the indicated train, according to the specified session number.

(Session Number): *Pertains to Diagnostic Train Detail Report*

This field indicates for which reporting session the status is being provided.

5V (FEP/IPC): *Pertains to LED Status Panel Features (power supply and processor status)*

Indicates whether the 5V supply, generated on the FEP board or IPC board, respectively, is present.

12V (FEP): *Pertains to LED Status Panel Features (power supply and processor status)*

Indicates whether the 12V supply, generated on the FEP board, is present.

24V (BATT): *Pertains to LED Status Panel Features (power supply and processor status)*

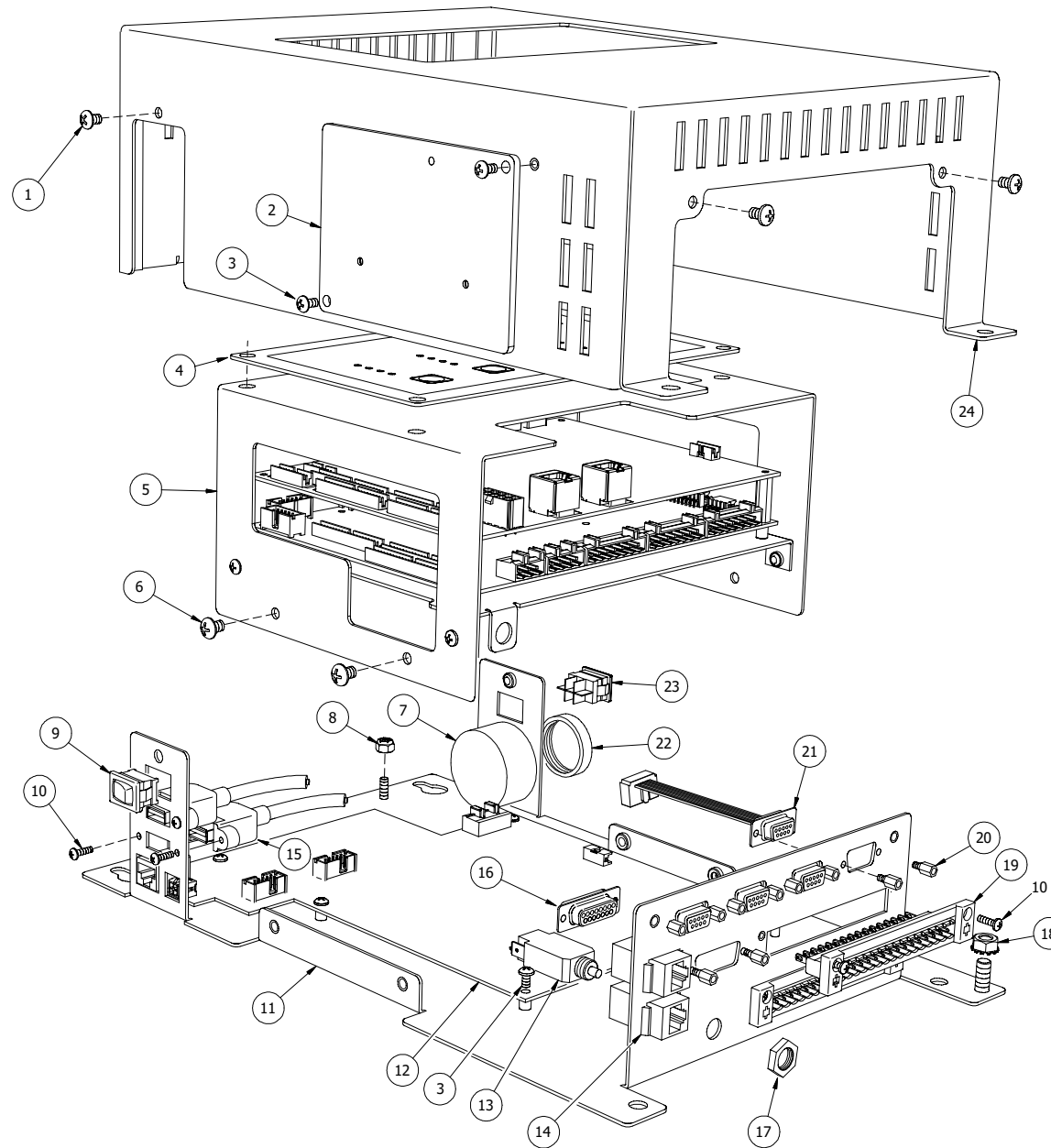
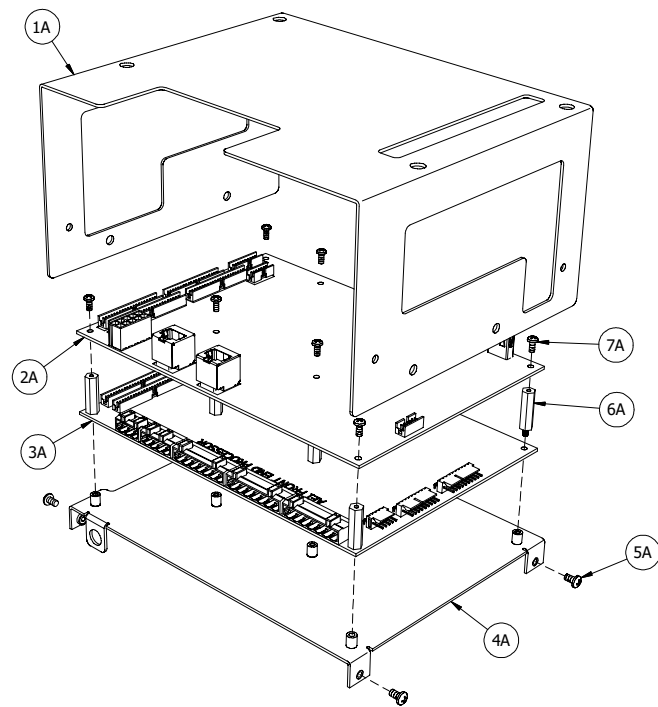
Indicates whether the 24V supply from the system batteries is present.

Appendix A: Drawings and Schematics

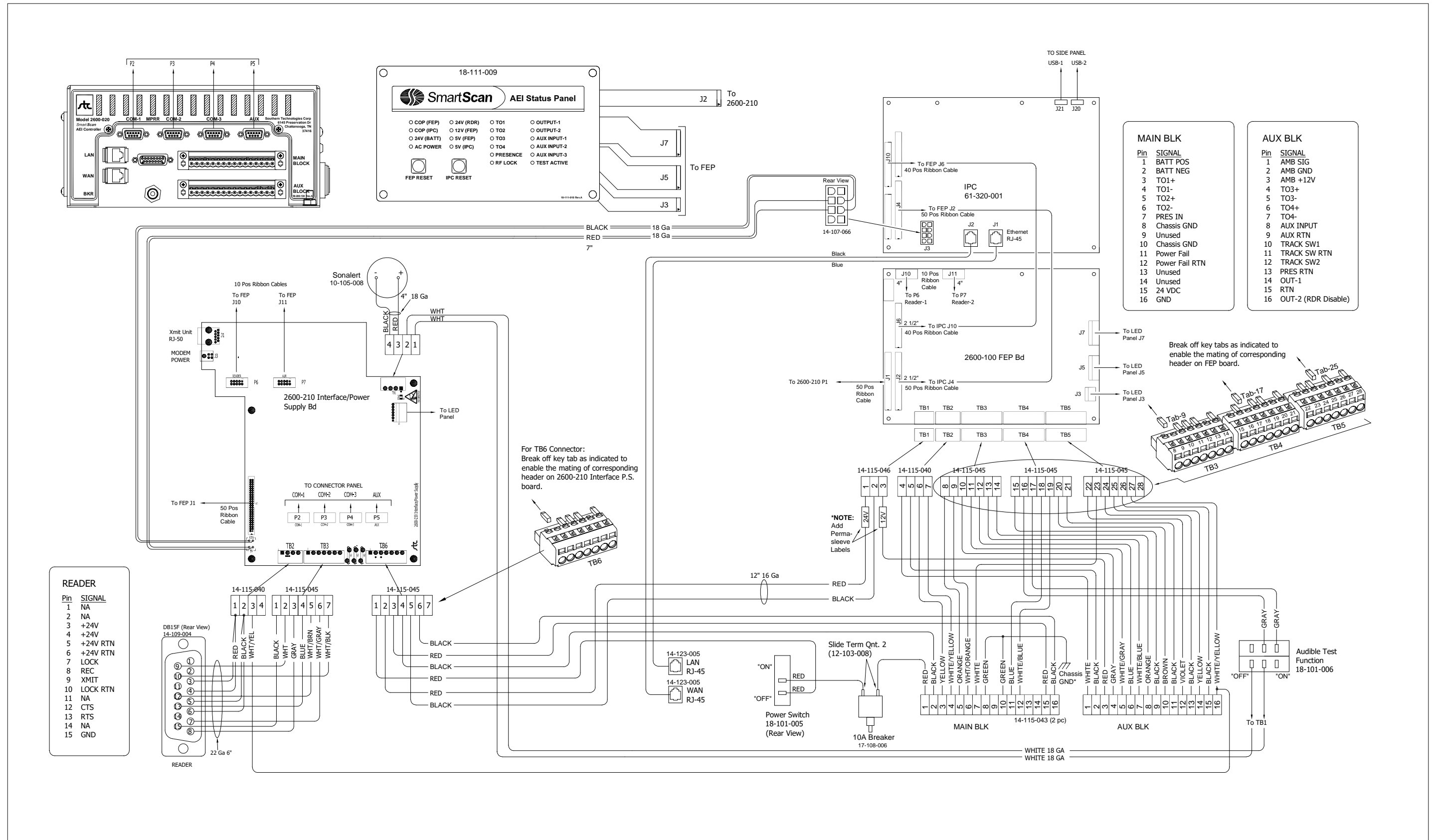
2600-020 AEI Controller- Exploded View

PARTS LIST FOR 2600-020			
ITEM	QTY	PART NUMBER	DESCRIPTION
1	4	01-108-023	PPH 8-32 x 1/4" S. Steel
2	1	41-110-122	Modem Adapter Plate
3	12	01-108-016	PPH 6-32 x 1/4" S.Steel
4	1	18-111-010	Status Panel
5	1	N/A	Status Panel Mount
6	4	01-108-050	PPH 10-32 x 3/8" S.Steel
7	1	10-105-008	Sonalert Buzzer 16-28VDC
8	2	01-118-003	8-32 ESNA Nut Stainless Stl.
9	1	18-101-005	DA series c&k rocker switch 16 AMP SPST
10	8	01-108-003	PPH 4-40 x 3/8" S.Steel
11	1	41-110-123	Base Plate Asm.
12	1	2600-210	Interface/Power Supply Bd.
13	1	17-108-012	Thermal Reset Breaker
14	2	14-123-005	RJ Coupler 8-Pos
15	2	14-125-001	USB 2.0 Cable-UP Angle/Panel
16	1	14-109-004	Sub-D 15-Pin Socket
17	1	N/A	Retainer nut for breaker
18	1	01-119-003	1/4-20 Keps nut
19	2	14-115-043	16 Position Phoenix HDR 5.05mm
20	5	14-109-009	Sub-D Jack Screw Kit
21	4	2300-524	Comm Cable Assm 8"
22	1	N/A	Retainer Ring nut for Sonalert Buzzer
23	1	18-101-006	DA series c&k rocker switch 10AMP DTD
24	1	41-110-126	Cover Assembly

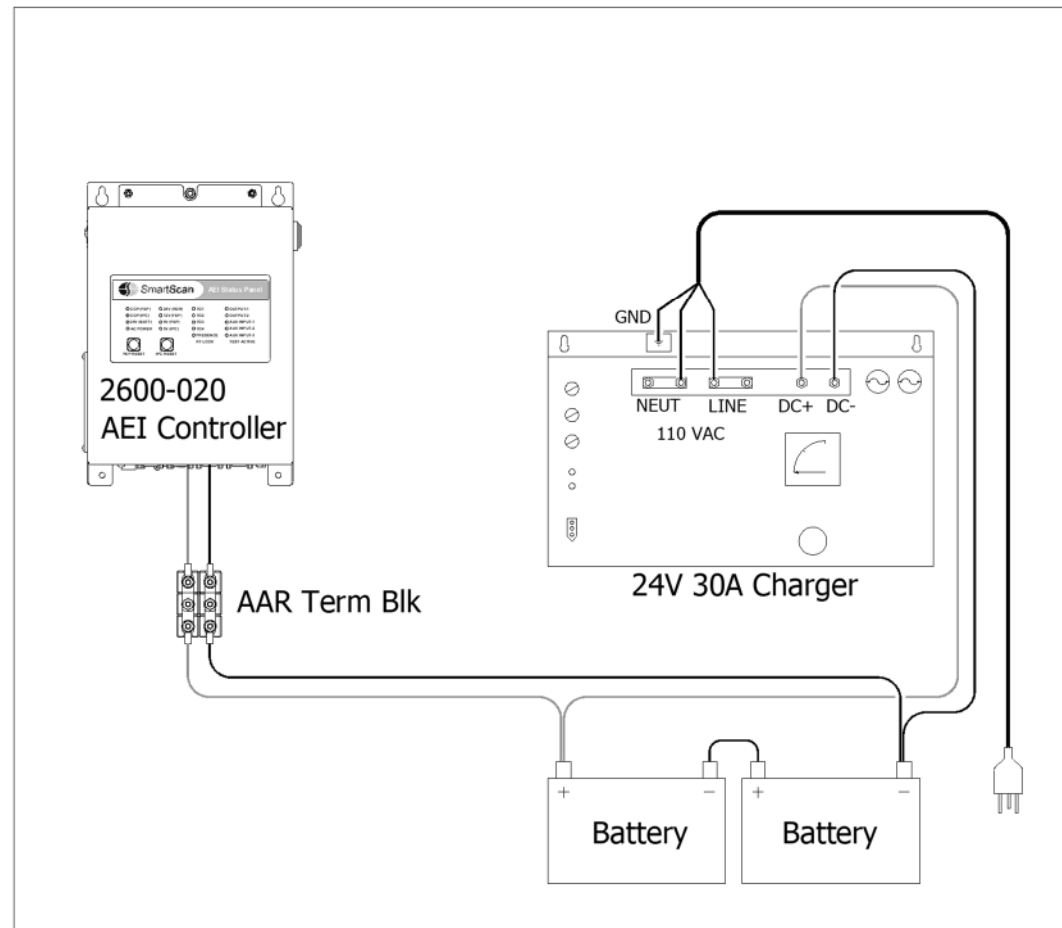
PARTS LIST FOR 2600-020 (Item #5)			
ITEM	QTY	PART NUMBER	DESCRIPTION
1A	1	41-110-124	Status Panel Mount
2A	1	61-320-001	Bd. (IPC)
3A	1	2600-100	AEI front end processor bd. asm.
4A	1	41-110-125	FEP IPC Board Mounting Base
5A	4	01-108-016	PPH 6-32 X 1/4" S. Steel
6A	8	12-117-015	Hex 4-40 x 7/8" Adapter MF
7A	8	01-108-003	PPH 4-40 x 3/8" S. Steel



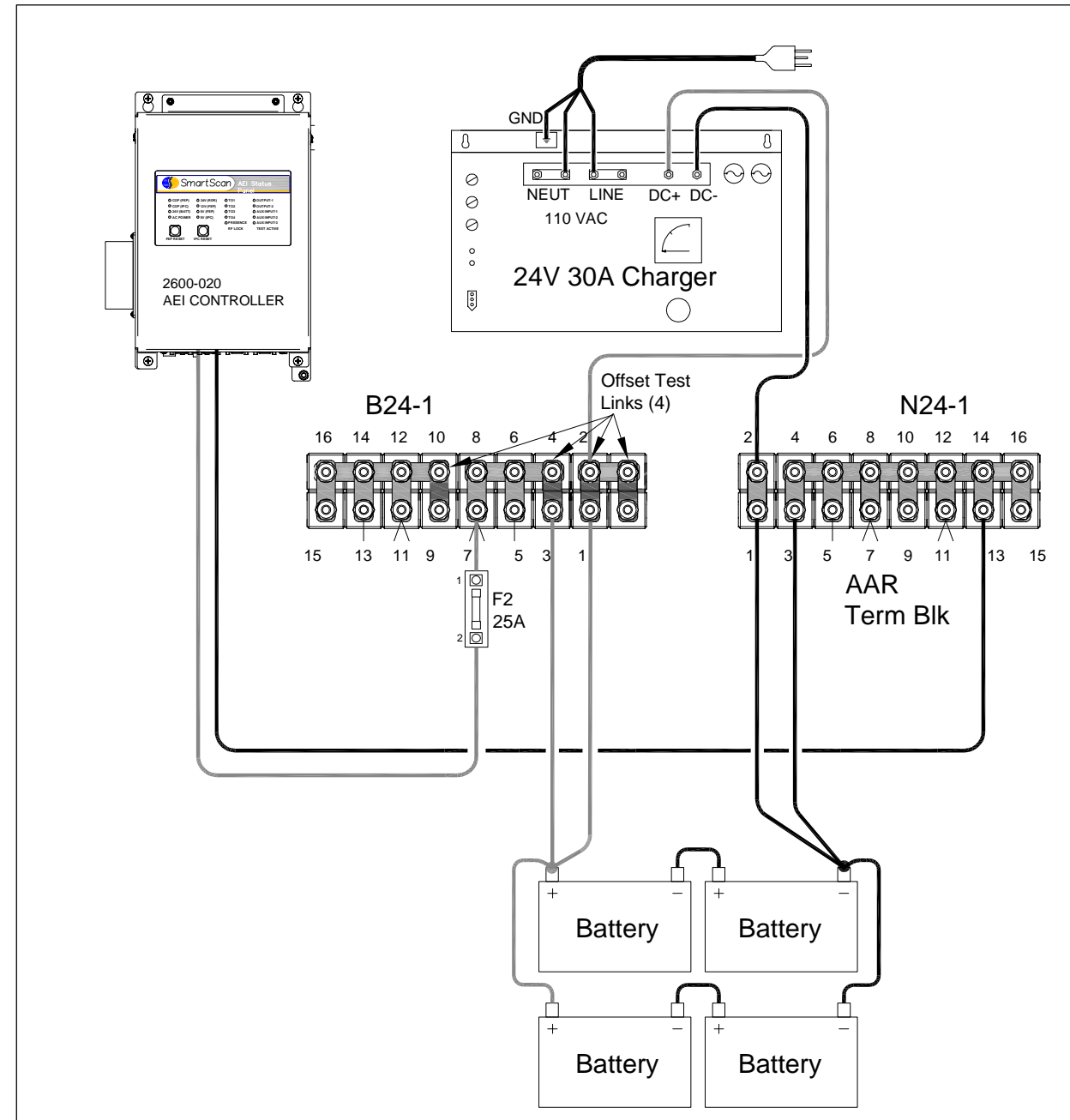
2600-020 AEI Controller- Internal Wiring Schematic



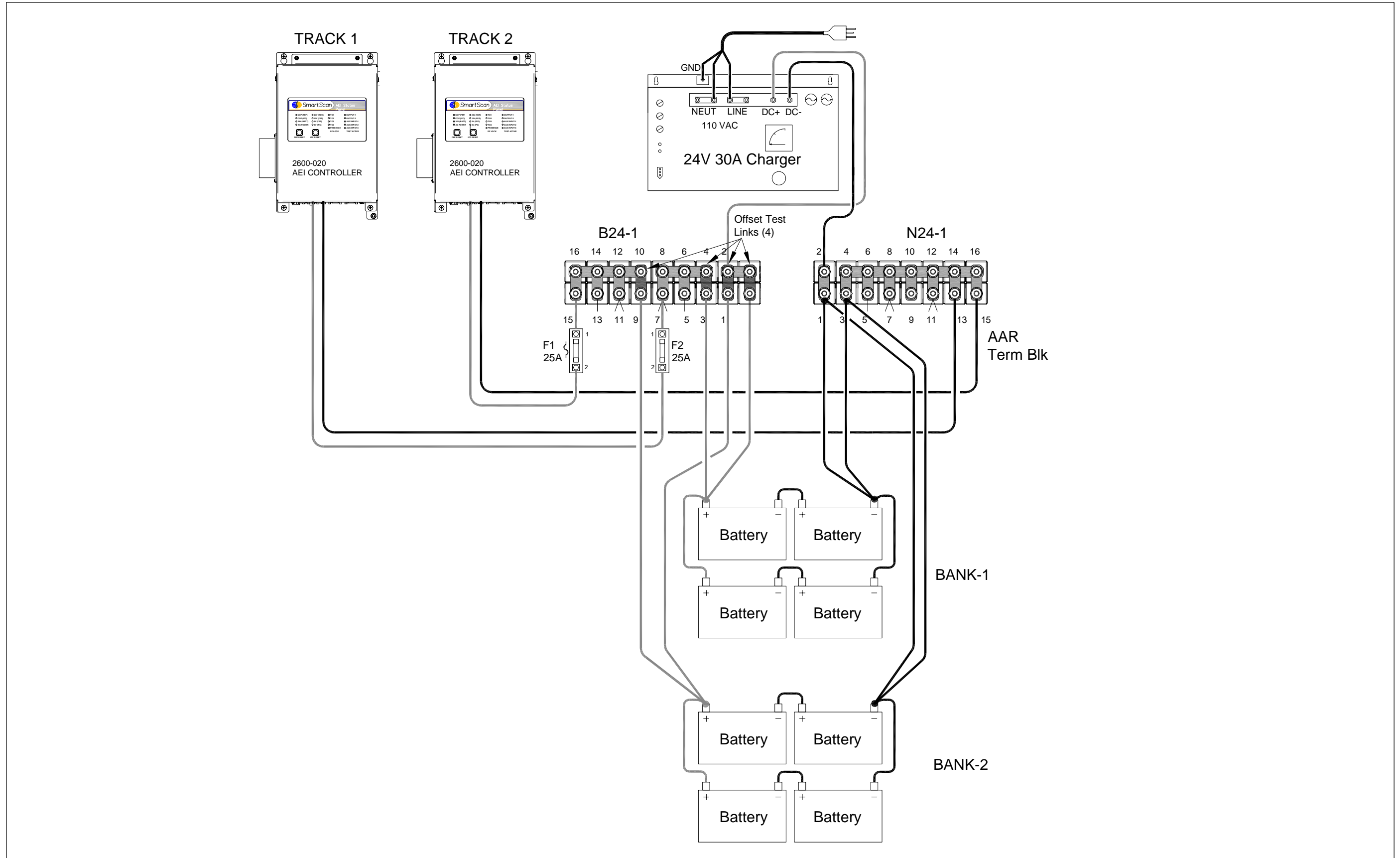
Battery Subsystem (Typical)



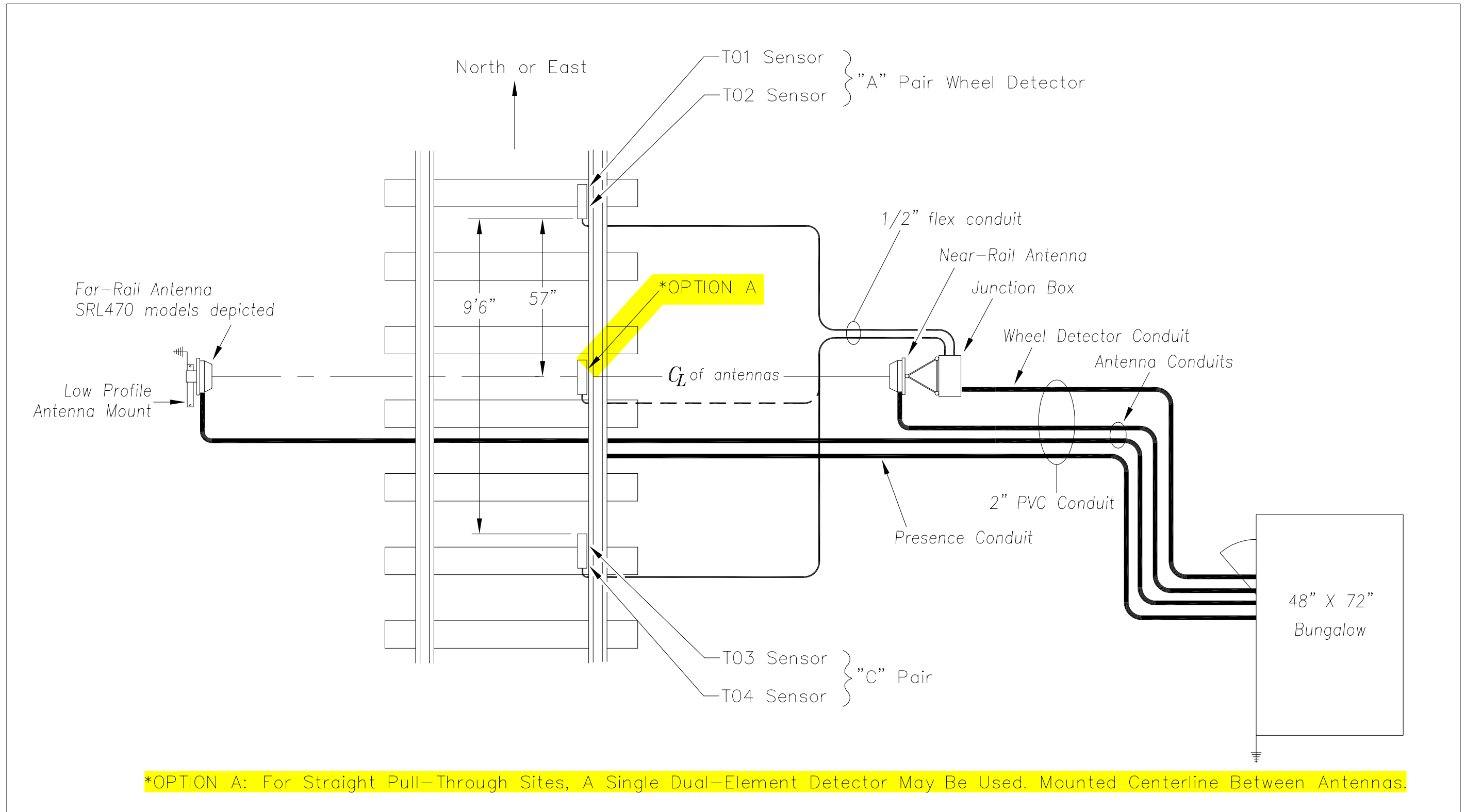
Battery Subsystem for CN (Typical)



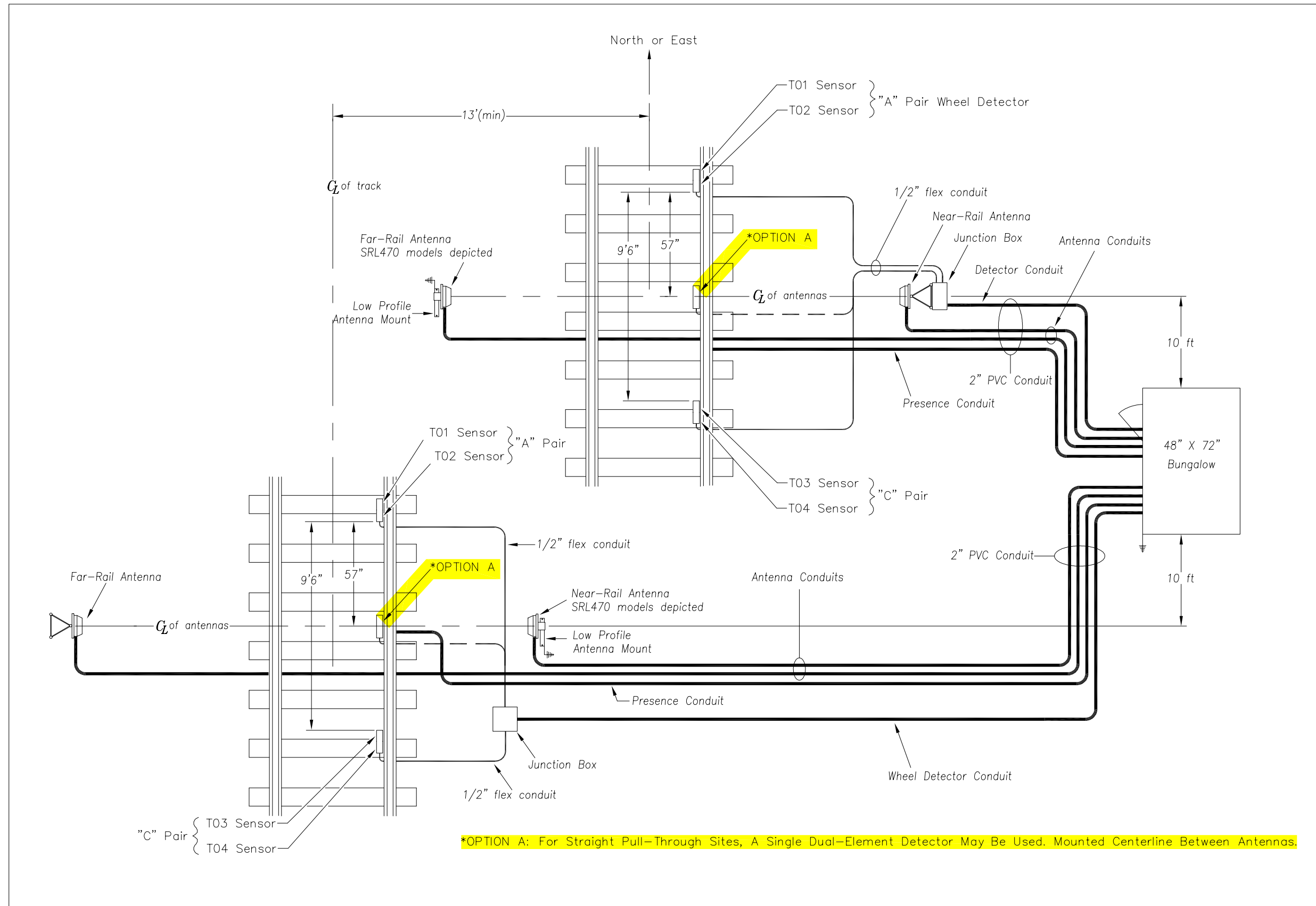
Battery Subsystem for a CN Double-Track AEI (Typical)



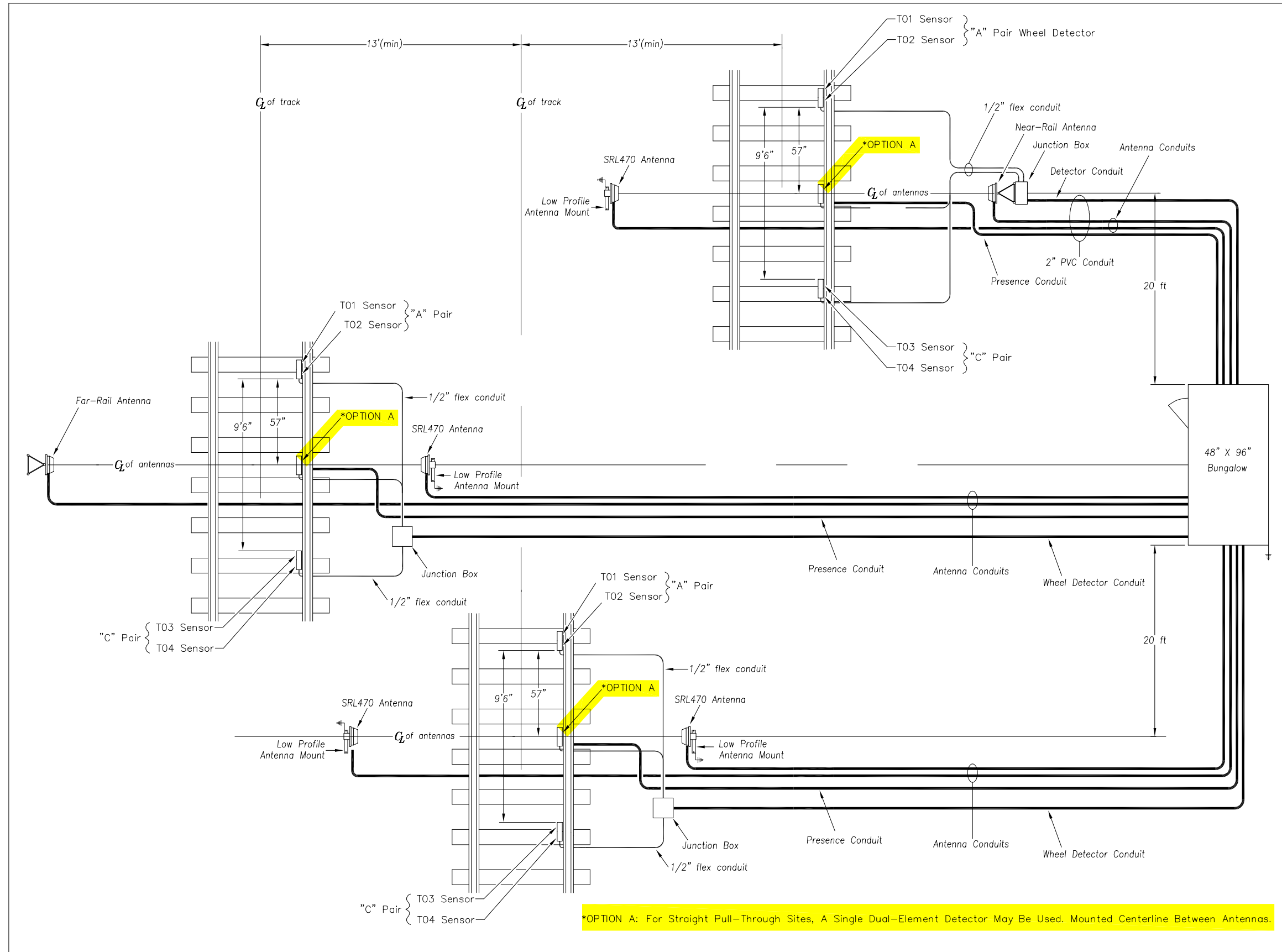
Typical Single-Track Equipment Layout



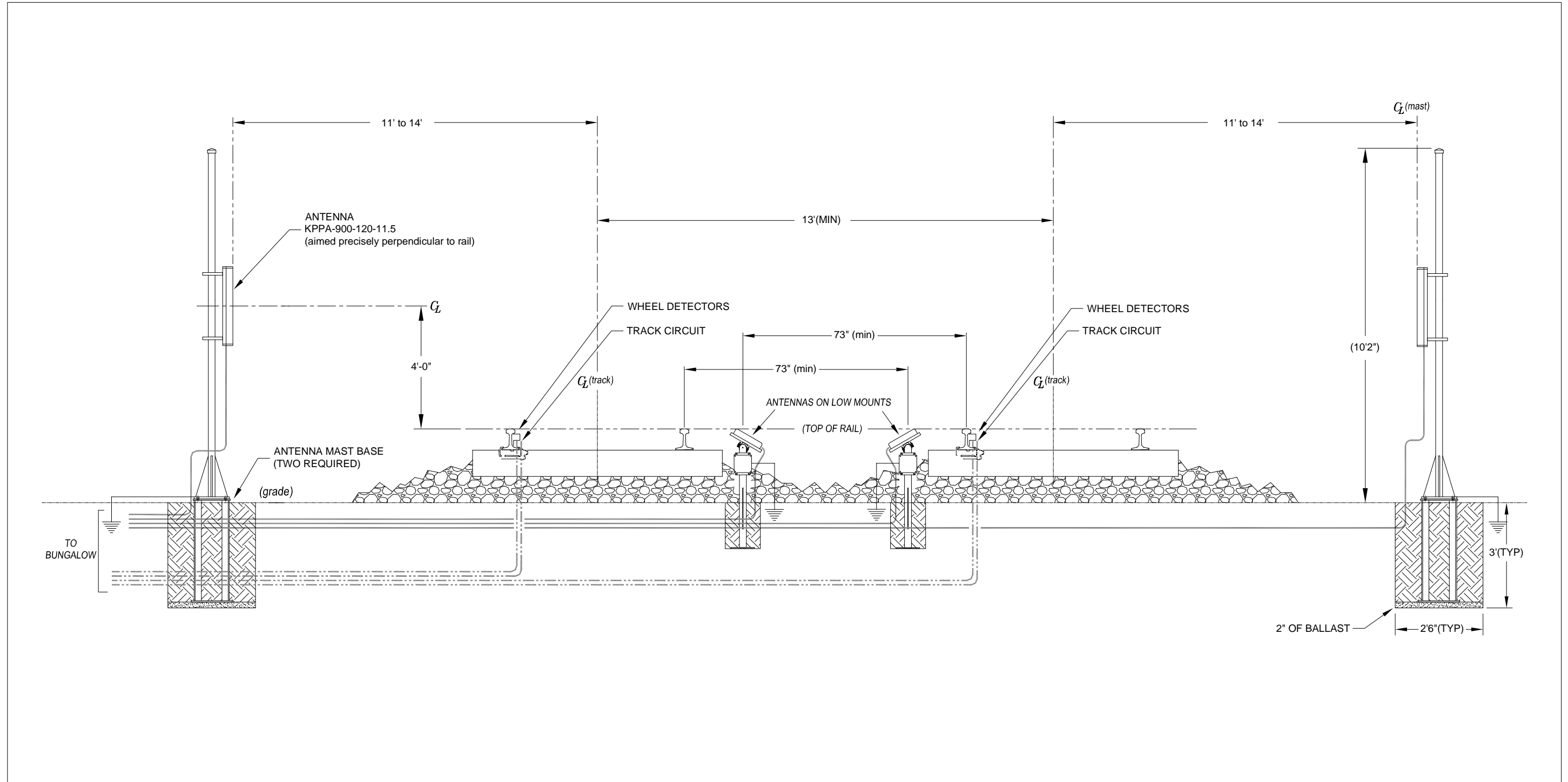
Typical Double-Track Equipment Layout



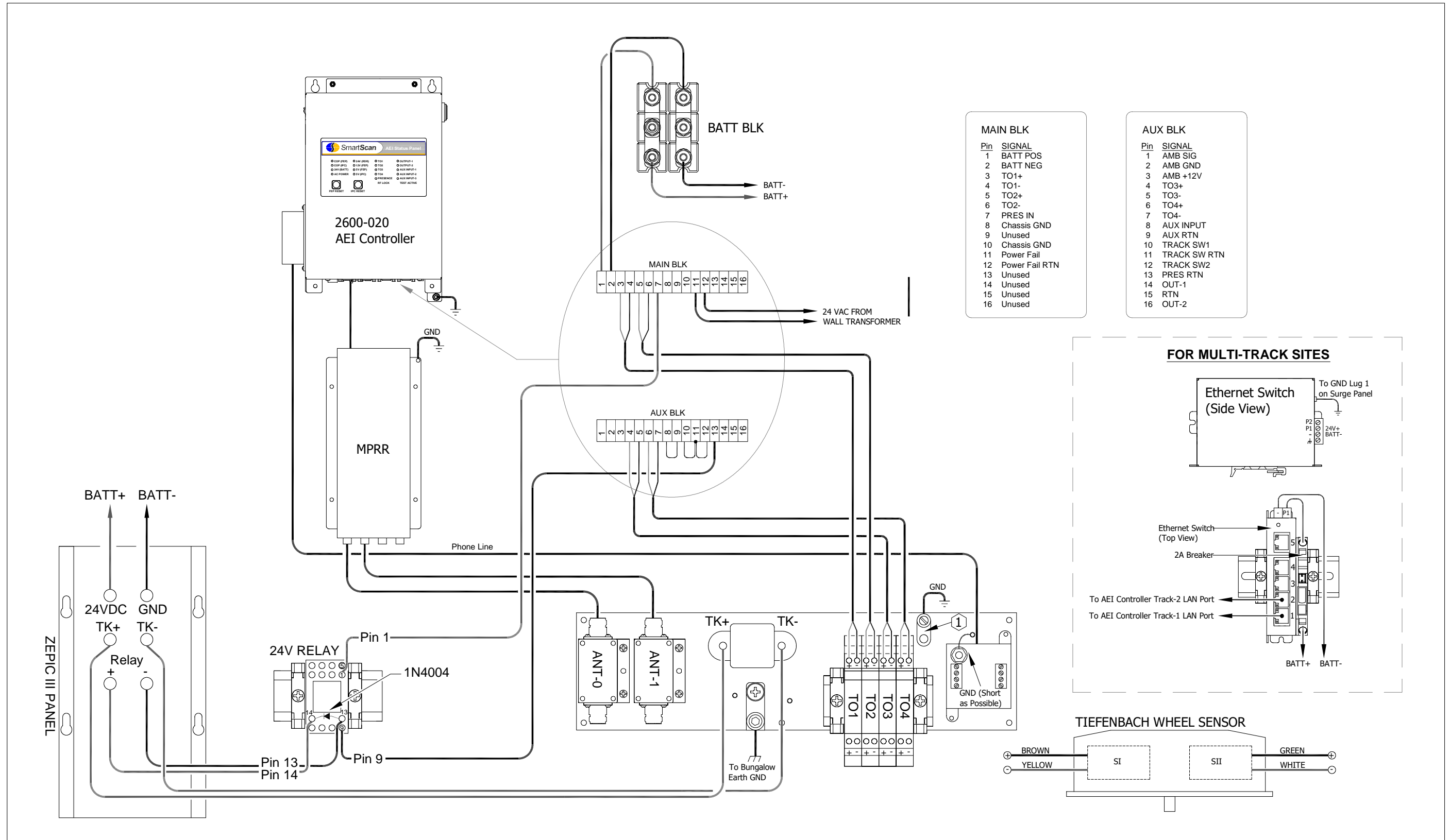
Typical Triple-Track Equipment Layout



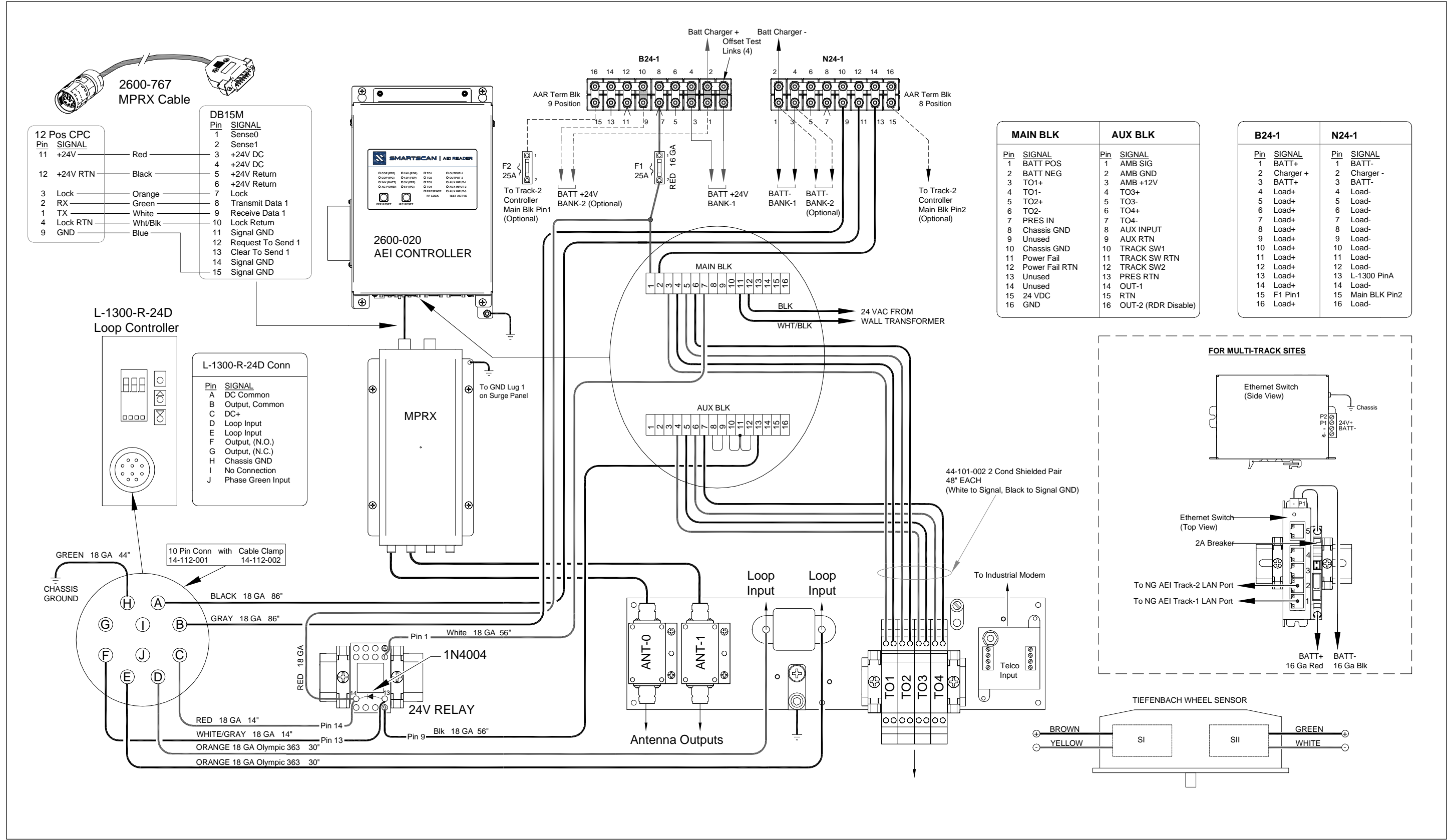
Double Track Elevation Drawing



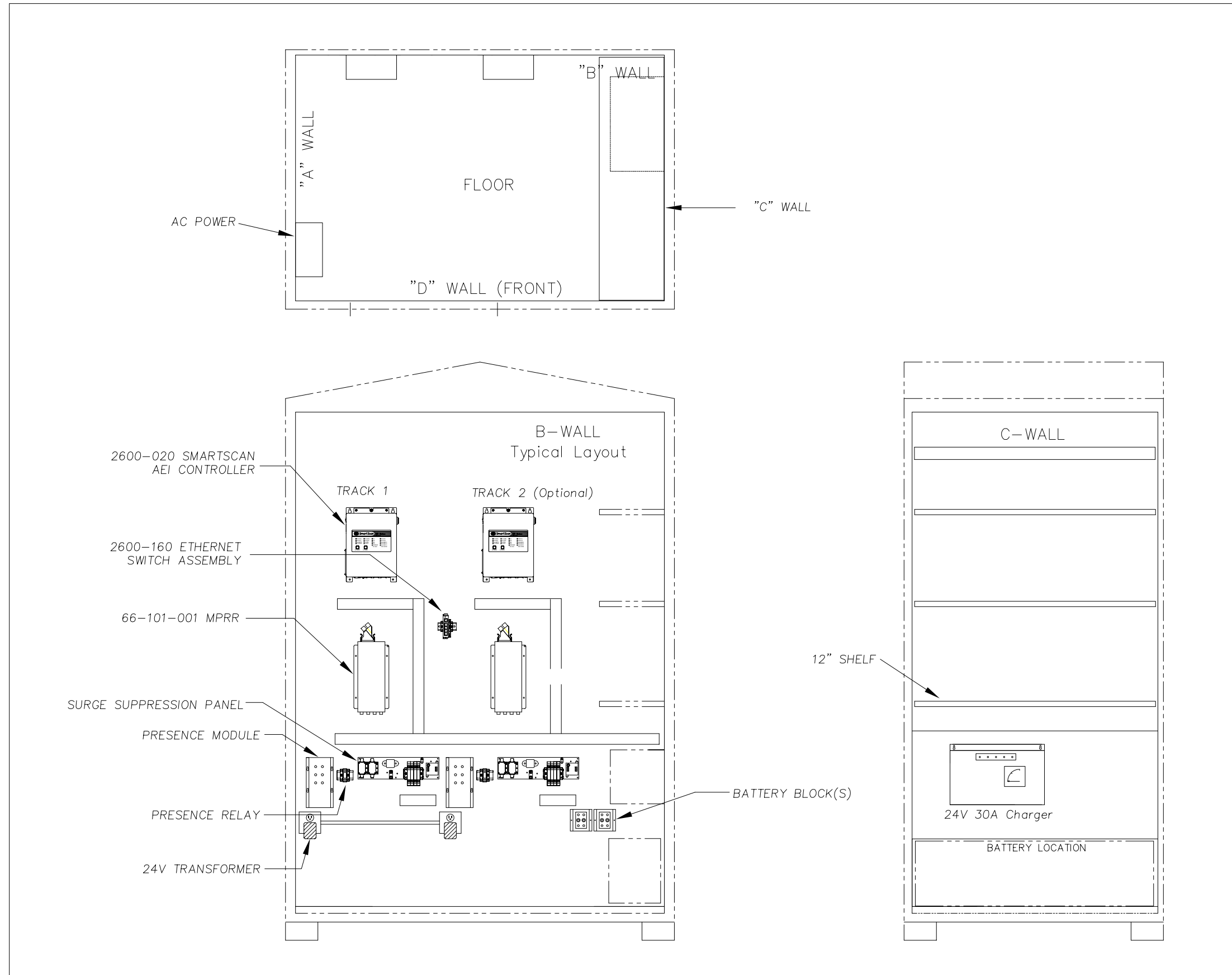
2600 AEI System Wiring Schematic



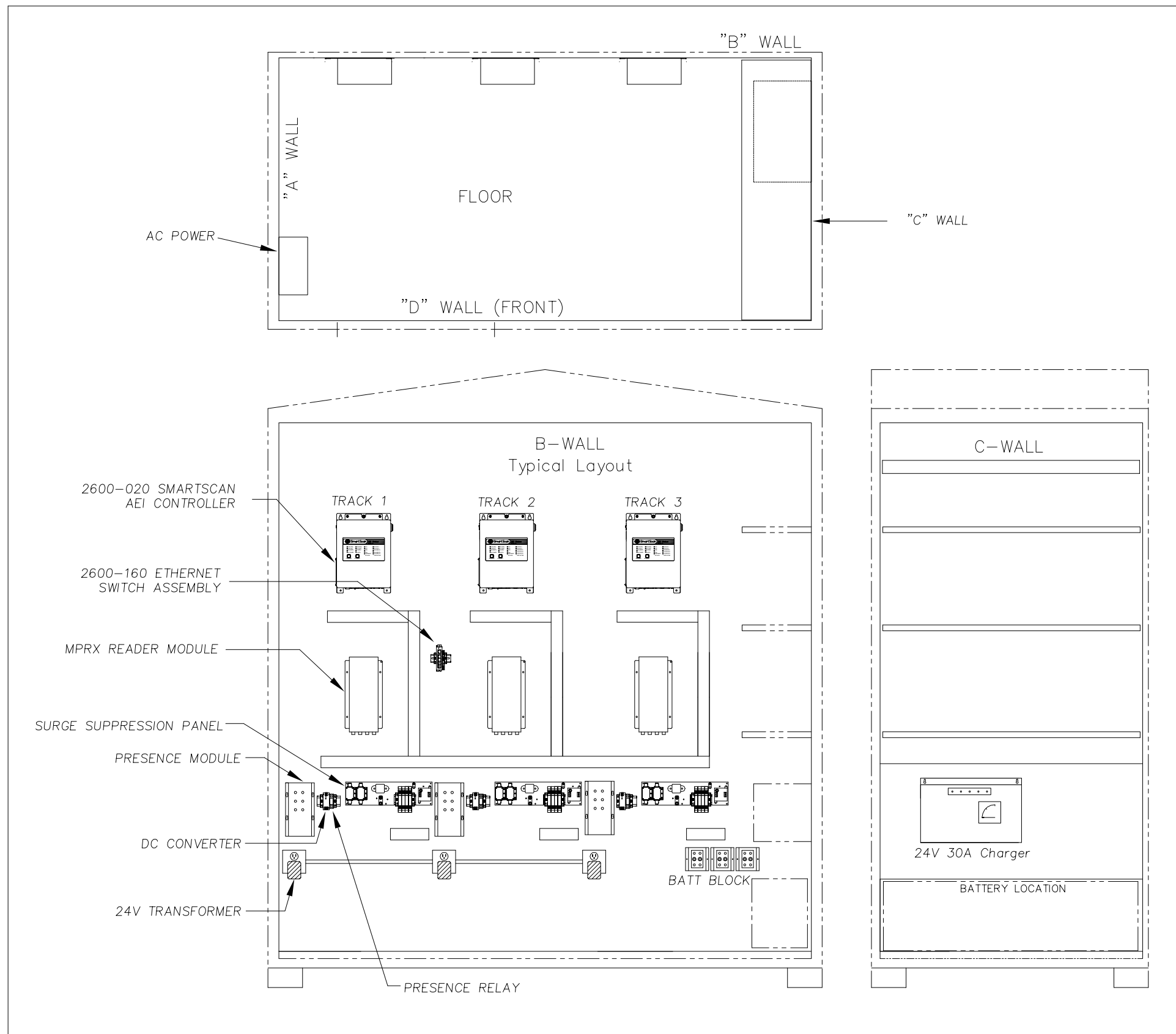
2600 AEI System Wiring Schematic for CN



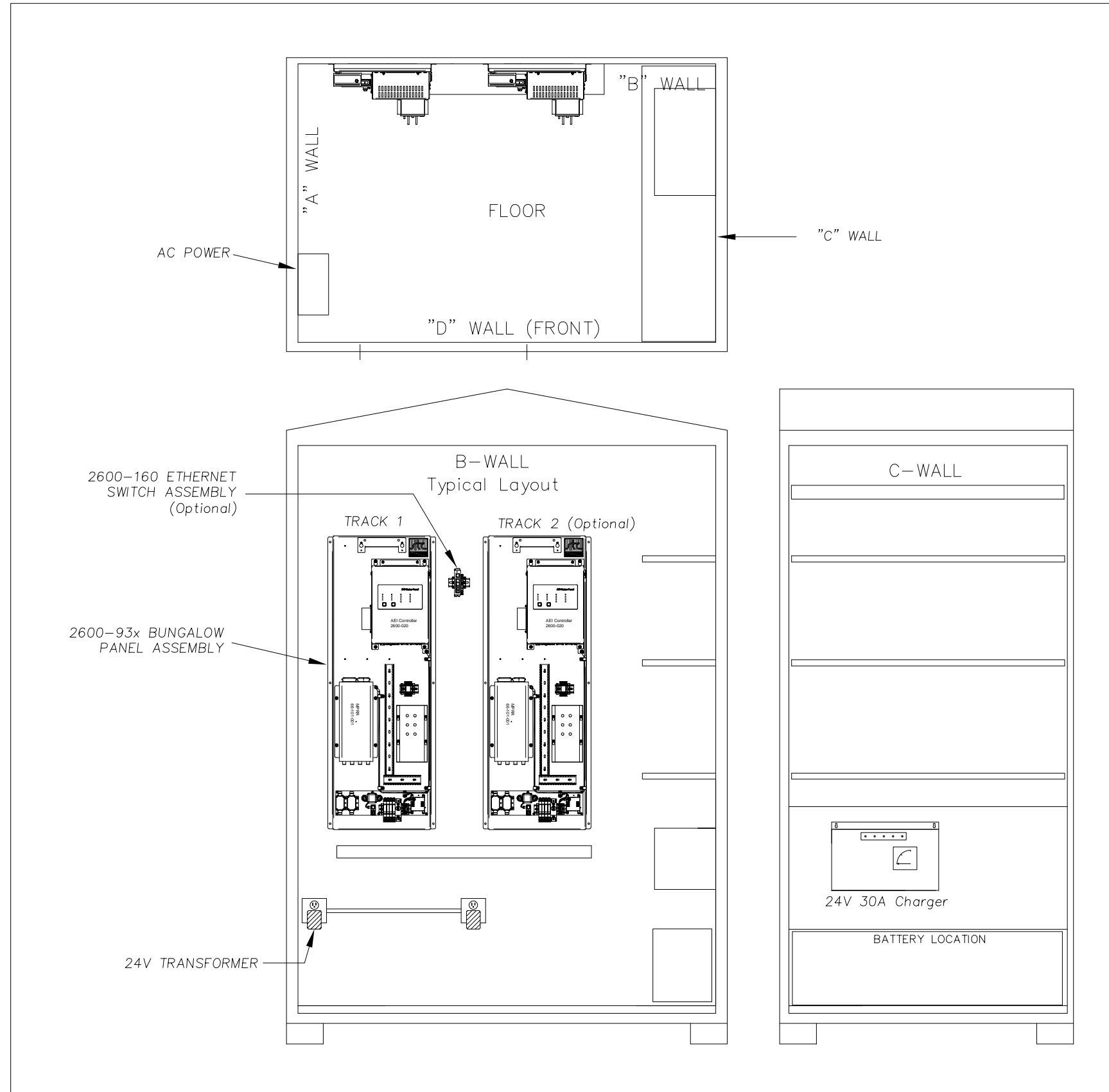
Typical 4' x 6' Bungalow Layout



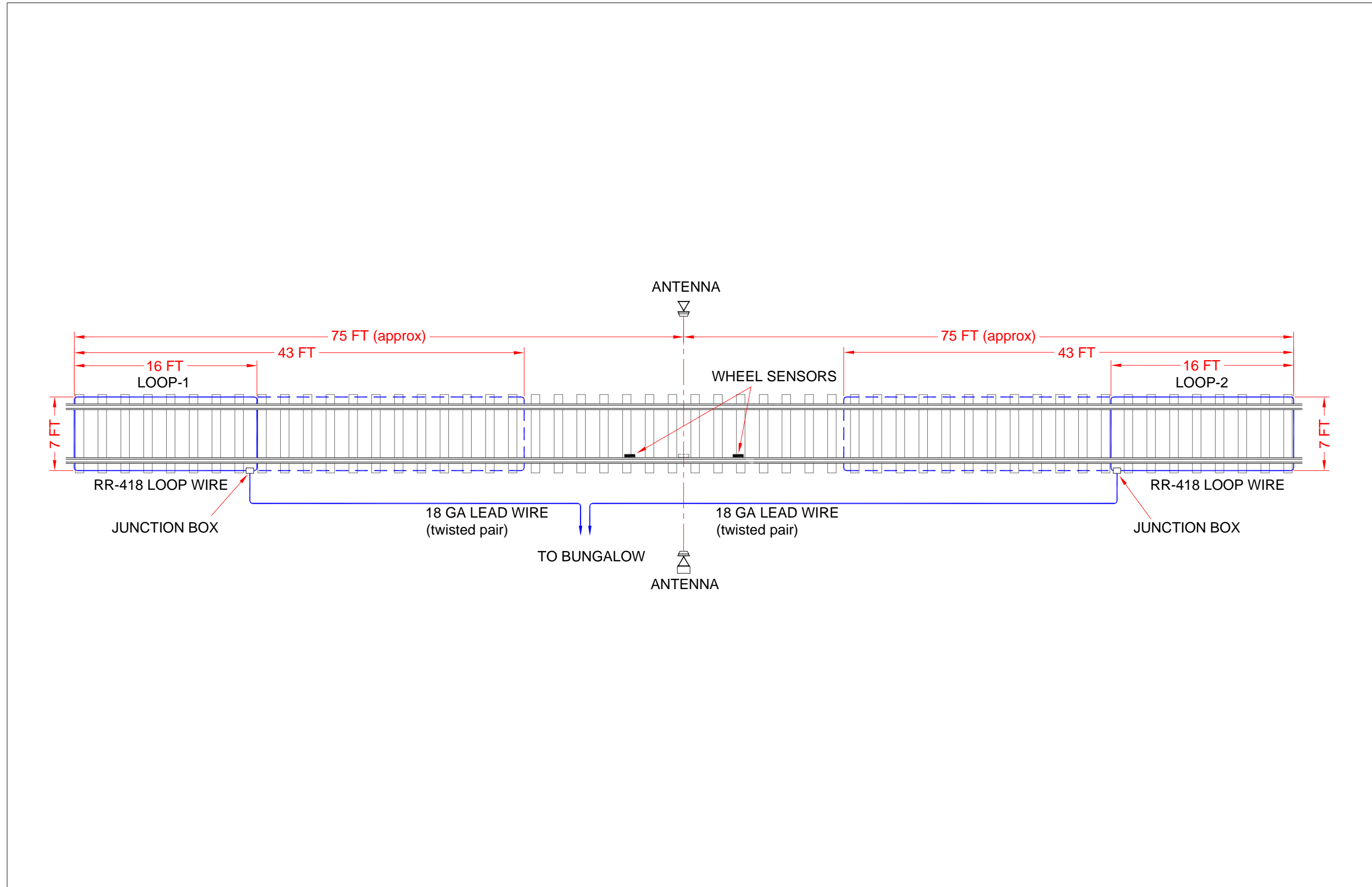
Typical Triple Track 4' x 8' Bungalow Layout



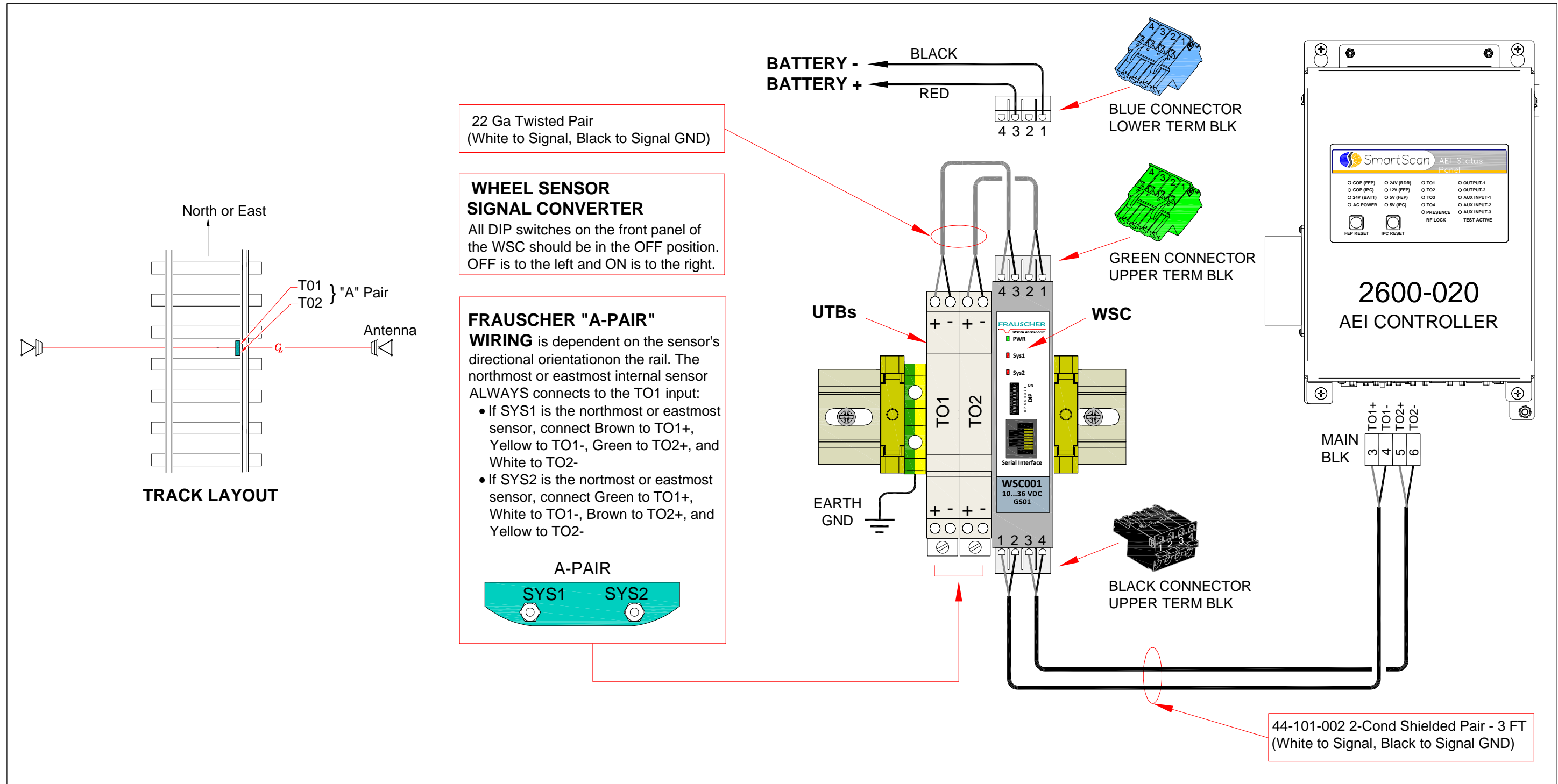
Typical 4' x 6' Bungalow Layout for 2600-93x Panels



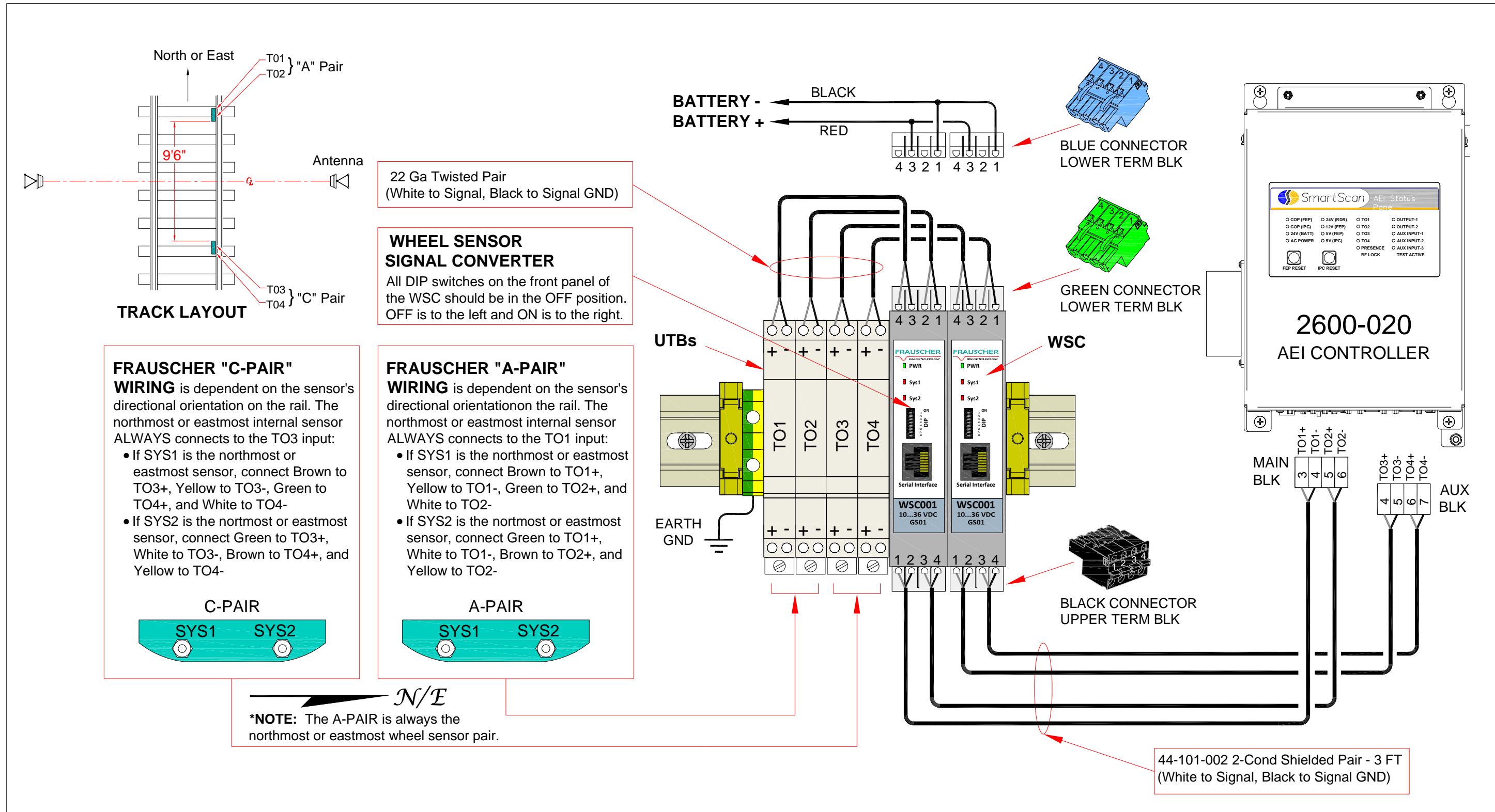
Typical Layout for Dual-Loop Application



Wiring for 2600-547 Frauscher Converter Kit (Single)



Wiring for 2600-548 Frauscher Converter Kit



Index

A

AAR Billing Code · 115, 125, 179
AEI · 7, 9, 10, 11, 21, 22, 26, 35, 40, 41, 42, 51, 52, 53, 64, 66, 69, 75, 76, 81, 83, 87, 88, 89, 91, 97, 101, 102, 105, 108, 109, 112, 113, 114, 115, 117, 125, 126, 127, 141, 149, 152, 153, 157, 159, 163, 166, 167, 168, 172, 179, 180, 181, 182, 185, 186, 187, 188, 189, 193, 194, 201, 202
Ammeter · 179
antenna masts · 67
antennas · 9, 22, 29, 35, 40, 41, 64, 65, 66, 76, 83, 97, 108, 109, 152, 163, 179, 181
Auto Reporting · 115, 125, 179, 181, 189
Automatic Block Signal (ABS) · 179

B

Ballast · 179
Baud Rate · 116, 126

C

Calibration · 52, 53, 54, 72, 98, 180
Car Num · 152, 166, 172, 180
chassis · 15, 88
Chassis · 79, 85, 90
Chickenhead · 180
Clamp-Mounted Sensors · 44
Configure Network Interfaces · 128, 180, 184, 185, 186, 187, 188
Controller · 9, 11, 14, 15, 17, 19, 20, 21, 22, 26, 29, 30, 35, 40, 46, 51, 52, 54, 87, 88, 89, 97, 193, 194
COP · 102, 180

E

Ethernet switch · 30
Event Log Menu · 105

F

Flags · 163, 164, 181
Frauscher wheel detector · 55, 56, 57, 58, 59, 60, 61, 62, 63, 64

H

Handshake · 181
Header · 117, 127, 166, 181

I

IPC · 10, 14, 19, 102, 128, 141, 181, 187

L

LAN · 129, 130, 182
Lead Veh ID · 149, 182
LED Status Panel Features · 102, 190
legacy upgrade · 9
Load Default Settings · 109, 113, 182
login · 102, 103, 104, 127, 128, 182, 184
Login ID · 102, 118, 127, 182

M

mainline systems · 64, 65, 66
Maintenance Log Menu · 105
Max Retry Attempts · 117
Minimum Axle Count · 117, 150, 164, 183

N

Num Axls · 152, 166, 172, 183
Num Plat · 152, 166, 183
Num Trks · 152, 166, 183

O

Offtime · 171, 183
Order More Copies
 How to order more copies of this guide · 8

P

Password · 103, 118, 120, 127, 184
Phone Number · 116, 126, 184
Presence Input Debounce Filter · 112, 113, 184

Presence Timeout Period · 112, 113, 184
Processor · 11, 19, 22, 102, 128, 181, 184, 187
Pulse Edge Count · 170, 184
Pulse Edge Labels · 170, 171, 184
Pulse Widths · 171

R

radio frequency
 RFID · 7
Reader Module Status · 182
Report Delimiter · 126, 185
Report Menu · 104, 105, 148, 149, 151, 153, 155, 157,
 159, 162, 165
Report Raw Tag Records · 117, 185
Reporting Protocol · 116, 126, 185
Retry Delay Time · 117, 126, 185
RFID/AEI · 7
Rising/Falling Edge Timestamps · 171, 185
Routing and Connecting Wheel Detector Cables · 47
RSR110 · 62

S

Sensing Element · 47
Serial Pass-Thru · 128, 186
Session · 97, 106, 107, 108, 114, 115, 125, 150, 164, 179,
 180, 181, 182, 183, 184, 185, 186, 188, 189, 190
Sessions · 164
Setting Sensitivity Using the Bar Graph · 80, 86
Setup Menu · 106, 108, 112, 114, 141, 149, 179, 182, 183,
 184, 186, 187, 188, 189, 190
shielded temperature probe · 29, 30
Site ID · 115, 125
Surge Panel · 29, 47, 71, 75, 78, 81, 84
System Function Menu · 107, 141
System Reset Menu · 128, 187
System Status Report · 105, 154, 155

T

T94 Reports · 115
Tag Consecutive Reads · 113, 187
Tag ID Separation · 113, 187
Tag Uniqueness Timeout · 113, 187
Telnet Pass-Thru · 128, 187
Terminal Emulation · 187
Three-Terminal Arrester · 187
Tiefenbach double-wheel sensors · 35, 40, 43, 44, 97
Time Zone · 108, 116, 125, 186, 188
Track Equipment and AC Status · 179, 184, 187
Track Hardware Configuration Menu · 109, 112, 188
Train Summary Report · 105, 149, 162, 180, 182, 183,
 185, 186, 187, 188, 189
Transceiver · 188
Troubleshooting Loop Failures · 80, 86
True Presence Mode · 78, 79, 80, 84, 85, 86

U

Units of Measure · 116, 189
user interface · 19, 101

W

warranty
 STC's standard warranty · 7, 8, 177
Warranty · 8
wheel detector · 9, 35, 40, 41, 42, 43, 44, 45, 46, 47, 48,
 51, 52, 53, 54, 64, 65, 66, 71, 97, 98
wheel detector Pair Spacing · 113, 189
wheel detector Pulse Latch Percentage · 190
wheel detector Pulse Width Filter · 113, 190
Wheel Dwell Time · 171, 190
WSC · 55, 61, 62, 99

Z

ZEPIC · 29, 69, 72