



SMARTSCAN | NG²

Operator's Guide for Export Systems

EUD-2021006-00 Rev.3
29 September 2023

© 2023 Southern Technologies Corporation (STC). All rights reserved.
Printed in the USA.

Because products evolve and system configurations change, this manual may not be an exact representation of the products and systems that you are using.

STC assumes no responsibility for errors or omissions in this document. Nor does STC make any commitment to update the information contained herein.

Product and company names mentioned herein are trademarks or registered trademarks of their respective owners.

WARNING!

Contact with electrically active parts could result in sparks, burns, and electric shock. Because of this, you should avoid all electrical hazards when installing, wiring, operating, and maintaining the SmartScanNG² system. Failure to do so could result in damage to the equipment or serious injury to you.

NOTICE:

If equipped with an AEI subsystem, the user is required to obtain a Part 90 site license from the FCC to operate in the United States. See product label for FCC ID number. Access the FCC Web site at www.fcc.gov/Forms/Form601/601.html for additional information concerning licensing requirements.

Users in all countries should check with the appropriate local authorities for licensing requirements.

Southern Technologies Corporation
6145 Preservation Drive
Chattanooga, TN 37416
www.southern-tech.com

email: stcemail@southern-tech.com

fax number: 423-499-0045

telephone number: 423-892-3029

Contents

This section lists the headings of this guide in sequential order with their page references.

1.0 Introduction	7
1.1 Purpose of This Guide.....	7
1.2 SmartScanNG ²	7
1.3 General Specifications - SmartScanNG ²	9
1.4 Cautions.....	10
1.5 Disclaimers.....	10
1.6 How to Comment on This Guide.....	10
1.7 How to Order More Copies of This Guide.....	10
1.8 Standard Warranty.....	11
2.0 Defect Detection	13
2.1 System Activation.....	13
2.2 System Deactivation.....	14
2.3 Speed Calculation.....	14
2.4 Train Direction.....	14
2.5 Transducer Pulse Processing.....	15
2.6 Axle Scanning.....	16
2.7 Hot Bearing Alarms.....	16
2.7.1 Bearing Scan Process.....	17
2.7.2 Referencing System.....	19
2.7.3 Pyrometer Linearity.....	19
2.8 Hotwheel Alarms.....	20
2.9 Auxiliary Alarms.....	21
3.0 Display Panel	23
3.1 LED Indicators.....	23
3.2 Keypad & Display.....	24
3.3 System Health Menu.....	25
3.4 System Functions.....	26
3.4.1 Radio Test.....	26
3.4.2 Auto-Calibration.....	27
3.4.3 Network Menu.....	27
3.4.4 Radio Menu.....	27
3.4.5 Volume Menu.....	28
4.0 Serial Interface	29
4.1 Main Menu.....	30
4.2 Setup Menu.....	32
4.2.1 Date and Time.....	33
4.2.2 Milepost/Kilometer Post (MP/KP).....	34
4.2.3 Track Designation.....	35
4.2.4 Track Direction.....	36

4.2.5	Alarm Settings.....	36
4.2.6	Equipment Settings	42
4.2.7	Messages.....	55
4.2.8	AEI Reader Parameters	65
4.2.9	Units of Measure	68
4.2.10	Load Default Setup Parameters	69
4.2.11	COM1, COM2, COM3, COM4, & COM6.....	72
4.2.12	Network Settings	73
4.3	System Functions Menu.....	76
4.4	Replay EOT Announcement.....	94
4.5	System Security.....	95
5.0	Web/Secure Wireless User Interface	97
5.1	Train Data.....	100
5.2	System Status.....	101
5.3	Configuration	104
5.4	System Event Log.....	118
5.5	Maintenance Info	119
5.6	System Functions	120
5.7	Remote Software Update.....	121
5.8	Calibration.....	122
6.0	Producing Reports	123
6.1	Train Summary Report.....	125
6.2	Train Detail Report.....	129
6.3	Train Detail Report (Abbreviated).....	137
6.4	Exception Summary Report	140
6.5	Exception Detail Report	143
6.6	Abbreviated Exception Detail Report.....	152
6.7	Last Train Report	155
6.8	Train DSRs	155
6.9	System Status Report	162
6.10	AEI Diagnostic Detail Report.....	166
6.11	Event Log Report.....	175
7.0	Radio Announcements.....	177
7.1	Arrival Messages	177
7.2	Real-Time Messages	177
7.3	Post-Train Messages	178
7.3.1	No Alarms	178
7.3.2	Only an Integrity Failure Detected	179
7.3.3	Exception Alarms Detected	180
8.0	Scheduled Maintenance.....	183
9.0	Customer Service	201
9.1	Reaching STC.....	201
9.2	Returning Equipment for Repair.....	201
9.3	Reporting Problems or Suggestions.....	202
9.4	Ordering Spare Parts	202
9.5	Checking on Shipments and Orders.....	202
Appendix A	System Alarms.....	203

A.1	Cold Rail Alarm	203
A.2	Cold Resistor Alarm	204
A.3	Cold Wheel Scanner Alarm	205
A.4	Cold Wheel Scanner Resistor Alarm	206
A.5	Highrange Transducer Miscounts Alarm	206
A.6	Integrity Failure Alarm	207
A.7	Low Battery Alarm.....	207
A.8	Midrange Transducer Miscounts Alarm	207
A.9	No Approach Track Alarm.....	207
A.10	Pyrometer Noise Filtered Rail Alarm	207
A.11	Pyrometer Noise Filtered Wheel Alarm	208
A.12	Reverse Direction Detected	208
A.13	Short Train Alarm.....	208
A.14	Stuck Dragger Recovered Alarm.....	208
A.15	Test Train Alarm.....	209
A.16	Very Slow Train Alarm	209
Appendix B Integrity Failures		211
B.1	Dead Battery Alarm.....	211
B.2	Dead Resistor Alarm	211
B.3	Dead Wheel Scanner Resistor Alarm.....	211
B.4	Highrange Transducer Miscounts Alarm	212
B.5	Stuck Dragger During Train Passage Alarm.....	212
B.6	Stuck Dragger Pretrain Alarm	212
B.7	Stuck High-Load Detector Pretrain Alarm.....	213
B.8	Stuck Wide-Load Detector Pretrain Alarm.....	213
B.9	Successive Cold Rails Exceeded Alarm.....	213
B.10	Successive Cold Resistors Exceeded Alarm	214
B.11	Successive Cold Wheels Exceeded Alarm.....	214
B.12	Successive Cold Wheel Resistors Exceeded Alarm	215
B.13	Train Present on Restart Alarm	215
Appendix C Replacement of Type II Scanners		217
C.1	Bearing Scanners	217
C.2	Wheel Scanners	219
Appendix D Replacement of Type III Scanners		221
D.1	Bearing Scanners	221
D.2	Wheel Scanners	223
Appendix E Calibration of Type II Scanners.....		225
E.1	Bearing Scanners	225
E.2	Wheel Scanners.....	227
Appendix F Calibration of Type III Scanners		231
F.1	Bearing Scanners.....	231
F.2	Wheel Scanners.....	236
F.3	Heat Source: Power Cable Warning.....	240
Appendix G Lens Cleaning of Type III Scanners		241
Appendix H Predictive Gate Scanning.....		243
H.1	Overview.....	243

H.2 Scanning Process	244
H.3 Reporting the Pyrometer Saturation Alarm	245
Appendix I 2500-402 Spacer Kit Installation.....	247
Appendix J Scanner Resistor Baseline Acquisition.....	249
J.1 Bungalow Speaker Announcements.....	249
J.2 Processing Resistor Baseline Results	250
Appendix K 2500-536 Red Filter Frame - New Design.....	253
Appendix L Communications Ports.....	255
Appendix M 15A Breaker Upgrade in SmartScanNG Chassis (Pre-2012).....	257
Appendix N Scanner Base Drain Hole	259
Index.....	261

1.0 Introduction

This section summarizes the purpose of this guide, describes the SmartScanNG² system, tells how to comment on this guide, and tells how to order more copies of this guide. It also covers the cautions and disclaimers of which the customer should be aware.

1.1 Purpose of This Guide

The technical staff at Southern Technologies Corporation (STC) created the SmartScanNG² system. This guide describes that system.

The SmartScanNG² system monitors moving trains and reports certain conditions detected on these trains. Parts of the system, like the bearing scanners, are installed on the tracks. Other parts of the system, like the controller module, are installed near the tracks. Most nontrackside components are factory-installed inside a wayside enclosure (aka bungalow). Therefore, the installation of these already installed components is not covered in this guide.

The SmartScanNG² system is modular and firmware-driven. Hardware and firmware can be changed to meet the unique needs of a given railroad. Thus, some of the components that make up a SmartScanNG² system differ from railroad to railroad.

This guide is for those who purchase, install, maintain, troubleshoot, manage, or use the SmartScanNG² system.

1.2 SmartScanNG²

The SmartScanNG² system is a full-featured detection and reporting system. It monitors moving trains, providing real-time detection of:

- Overheated bearings
- Overheated wheels, when wheel scanners are installed and enabled
- Dragging equipment, when dragging-equipment detectors are installed and enabled
- Shifted loads, when wide-load detectors are installed and enabled
- Oversized loads, when high-load detectors are installed and enabled
- Automatic Equipment Identification (AEI) tags, when AEI hardware and firmware are installed and enabled
- Direction of the train
- Exit speed of the train

The SmartScanNG² system runs well in the harsh environments found along right of ways. It runs under the most adverse weather conditions, functioning over a temperature range of -40°F to +160°F (-40°C to +71°C). It runs in high vibration situations. It runs unattended, carrying out all tasks without human intervention.

The SmartScanNG² system monitors trains traveling from 7 to 90 mph (11.3 to 145 kph). It monitors trains heading in either direction on the track.

When the SmartScanNG² system detects a defect, it informs the crew of the affected train. This is done by a voice transmission over an assigned radio channel. The voice is computer-generated from previously digitized human speech. It tells the crew the milepost of the reporting SmartScanNG² system, a warning that a defect has been detected, and other defect-related information. When no defect is detected, the voice tells the crew that the train was scanned and found free of defects.

There are three types of messages. Real-time messages are announced as the train passes over the site. Post-train messages are announced after the train has left the site and all the recorded train data has been processed by the SmartScanNG² system. When enabled, there are also arrival messages. Arrival messages are announced as the train enters the site. The content and use of these three message types are railroad-specific.

The results of train scans are also stored for later use. With this stored data, the system can create formatted reports. To get them at the site, you need a computer. With a modem and a computer, you can retrieve them remotely.

1.3 General Specifications - SmartScanNG²

Maximum Train Length	Successfully scanned computer-simulated trains with axle counts greater than 4000 axles.
Input Voltage - DC	Controller Module and Chassis: 10 to 30 VDC. Maximum system current, including two bearing scanners and two wheel scanners, with train present and radio transmitting approximately 11.7 amps. Idle current 900mA.
Input Voltage - AC	100 – 130 Volts @ 15 Amps, 50-60Hz
Input Voltage Protection	Circuit Breaker, Self-Restoring Fuses, Metal Oxide Varistors, Reverse Polarity Protected
Processors	Two Embedded Processor Modules, each with the following features: Motorola ColdFire® Processor, 32-bit, 250MHz clock (125MHz bus), 64MB DDR2 RAM, 32MB non-volatile Flash, 16GB Micro SD. Non-volatile time/date, system configuration, and train storage.
Serial Communications Ports	Up to six RS-232 ports are available, depending on internal options, and one RS-485 port – all with standard male D-Sub 9 connectors.
User Accessible Inputs	2 Bearing Scanner, 2 Wheel Scanner, 2 Wheel Gating Transducer, 2 Wheel Advanced Transducer, 8 Opto-Isolated Digital, 1 Precision Ambient Temperature Probe, 1 Train Presence Detection - Internal 2-Wire Audio Overlay Track Circuit
Network	One 10/100 Mbps Ethernet port with a standard RJ45 connector for networking capabilities. One RJ45 connector for access to the optional internal Velocity Module.
Voice Communications	Internal VHF Radio Transceiver: Ritron DTX-160 – 8 channels, 6 watts, narrowband, 134MHz to 176MHz. Additionally equipped with a radio interface for customer-specified analog or NXDN™ digital mobile radio
Dual-tone Multi-frequency Decoder	DTMF decoder recognizes all standard digits – 0 through 9, #, *, A, B, C, D. (Reception of a customer-specified sequence of digits triggers a rebroadcast of the last voice announcement.)
Secure Wireless	The NG ² supports wireless standards IEEE 802.11 b/g/n with a 2.4 GHz RF band power amplifier. Secure data communications with 128-bit WEP, WPA-PSK (TKIP), WPA2-PSK Authentication. Secure Wireless can be enabled/disabled from the keypad.
Operating Temperature	-40°C to +71°C, Fanless Operation, Industrial Temperature Range
Size	15.5"W x 22.0"H x 4.5"D
Weight	31 lbs.
Finish	White powder coat over stainless steel.
Manufacturer	Southern Technologies Corporation, Chattanooga, Tennessee

1.4 Cautions

Contact with electrically active parts could result in sparks, burns, and electric shock. Because of this, you should avoid all electrical hazards when installing, wiring, operating, and maintaining the SmartScanNG² system. Failure to do so could result in damage to the equipment or serious injury to you.

In operation, batteries generate and release flammable hydrogen gas, which, if ignited by a burning cigarette, naked flame, or spark, may cause a battery explosion with a dispersion of casing fragments and corrosive liquid electrolyte. So, carefully follow the manufacturer's instructions. Keep all sources of gas ignition away from the batteries, and do not allow metallic articles to contact the negative and positive terminals of a battery at the same time.

1.5 Disclaimers

The correct use of this guide, the environmental conditions at the time of installation, the method of the installation itself, and the installation of customer-supplied components are beyond the control of STC. So too are the correct use and maintenance of all or part of the SmartScan system. Therefore, the installer, user, and maintainer must assume the risk of any injury that might occur during the installation, use, and maintenance of all or part of the SmartScan system. STC assumes no risk, liability, or responsibility for errors and omissions on the part of the installer, user, or maintainer.

1.6 How to Comment on This Guide

We want to hear from you. Tell us what you like or don't like about this guide. Send your comments to:

**Southern Technologies Corporation
Technical Publications Department
6145 Preservation Drive
Chattanooga, Tennessee 37416-3638
USA**

All comments become the sole property of STC, and none will be returned.

1.7 How to Order More Copies of This Guide

When placing an order for more copies of this guide, refer to the order number shown on the cover of this guide. To request pricing and delivery, call 423-892-3029, fax 423-499-0045, or send an email to email@southern-tech.com. Electronic copies of this guide are also available.

1.8 Standard Warranty

Systems manufactured by Southern Technologies Corporation carry a 14-month warranty from the date of shipment. Warranty is limited to repair or replacement at the sole discretion of STC of any goods found to be defective in either materials or workmanship during the 14-month period following shipment. Warranty does not apply to a product with signs of obvious abuse or a product that has been improperly installed.

STC warrants that goods represented by this warranty statement have been designed and manufactured with all reasonable care and attention to appropriate regulatory documents. STC makes no representation that the goods covered by this warranty are suitable for the application they are used for. Application of the goods is at the sole discretion of the purchaser.

The purchaser is responsible for the shipment of the defective product to STC. STC will pay the return shipping charges.

Products purchased from others but included in STC systems carry the original manufacturer's warranty, typically 12 months. Warranty claims for these products must be made directly to the original equipment manufacturer.

2.0 Defect Detection

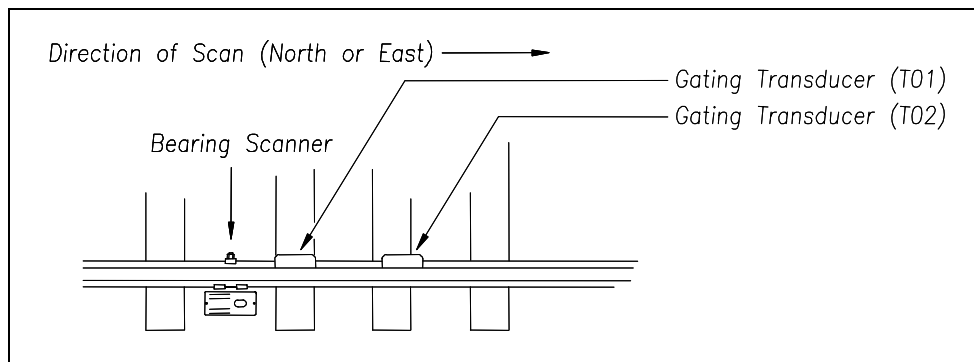
This section describes the Exception Alarms (aka defect alarms, aka train alarms) and how they are detected. Also covered are miscellaneous train scanning features.

2.1 System Activation

System activation is the process used to detect train presence and to prepare for train scanning. It is during the scanning process that the system checks for defects.

The SmartScanNG² system is equipped with one of two primary means of train arrival detection, which are the track circuit or advance transducers. In case of a failure in the primary detection method, the gating transducers act as a backup to detect train arrival. Once the system senses a train's presence, it enters scanning mode. In other words, the system has been activated. It then opens the scanner's shutters and disables their heaters. It then waits for further evidence of a train at the site in the form of gating transducer activity.

Once the system is active, it reads pulses from the two rail-mounted gating transducers, which are designated TO1 and TO2. On the rail nearest the wayside enclosure, these transducers are mounted near and to the north or east of the bearing scanners. **TO1** is the gating transducer closest to the bearing scanner. **TO2** is the one farthest from the bearing scanner.



The signals from these gating transducers indicate to the system that passing wheels are in view of the scanners. Furthermore, the speed of the train is determined by using the known distance between TO1 and TO2 versus the time required for a given wheel to pass over them.

Four axles must pass over the gating transducers for the system to consider the event a valid train. This prevents maintenance equipment from generating alarms and causing unwanted voice messages on the road channel.

2.2 System Deactivation

System deactivation is the process used to detect the moment that the train exits the site. This happens in one of two ways, which is dependent upon whether the track circuit or one of the transducers has activated the system.

If the track circuit activated the system, the system waits for the track-circuit signal to be absent for ten seconds before deactivating. Likewise, if a transducer activated the system, the system waits for ten seconds of inactivity from the gating transducers before deactivating.

2.3 Speed Calculation

The train's minimum, maximum, average, and exit speeds in miles per hour are shown on the reports. The system calculates the speed by knowing the distance between the two transducers versus the time that it takes a given wheel to pass over them. Calculated speeds over 99 mph (159 kph) are reported as 99 mph. If a train has fewer than eight axles, its speed is reported as 0 mph.

Trains traveling at less than 7 mph (11.3 kph) are considered "very slow." If a passing train drops below this speed threshold, the detection of Differential alarms, Pyrometer Saturation alarms, and Carside Slope alarms isn't performed. After the passage of these trains, the phrase "train too slow" is appended to the post-train message (when the Announce Slow Train option is enabled), and a diagnostic message is noted on the Train Detail and Exception Detail reports. Also, after the passage of these trains, axle count, exit speed, length of train, and the total number of cars aren't announced. This is true even when the Announce Axles option, Announce Speed option, Announce Train Length option, and Announce Number of Cars option are enabled.

The report fragment below, from the header section of a Train Detail report, shows the location of this message.

```
Southern Technologies Corporation
Next Generation Detector System
TRAIN DETAIL
-----
                                .
                                .
System Alarms
-----
VERY Slow Train
                                .
                                .
                                .
```

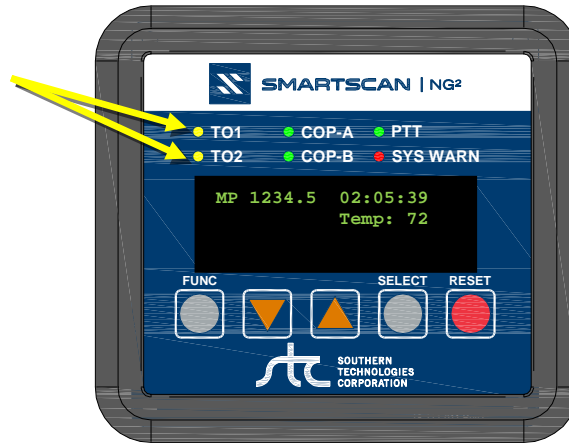
2.4 Train Direction

Train direction is based on whether TO1 or TO2 generated the first gating transducer pulse.

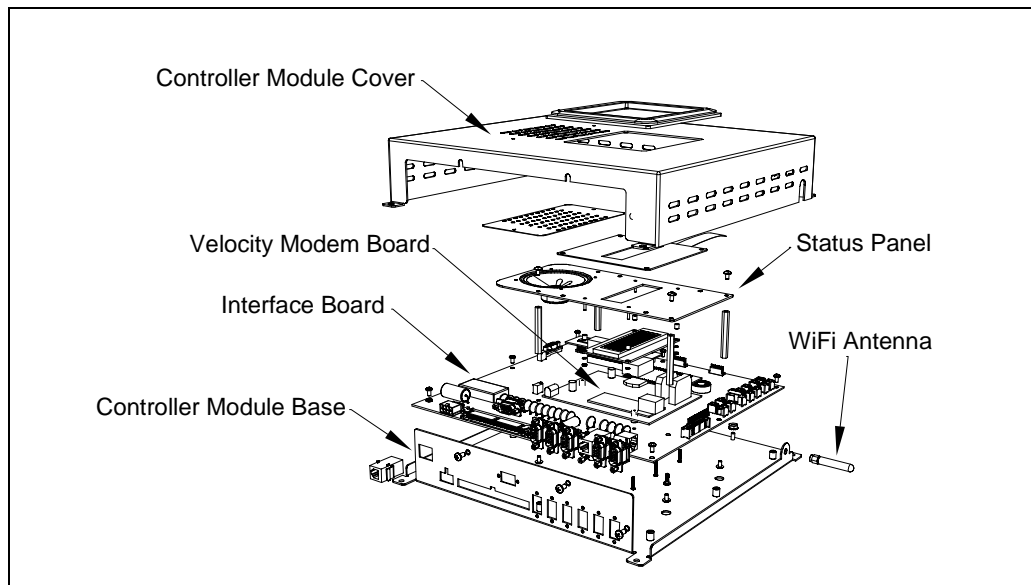
2.5 Transducer Pulse Processing

As a wheel enters the sensing range of a transducer, the transducer should respond with a positive-going pulse. The polarization of the two wires from the transducer determines if this pulse is positive or negative.

Here is a simple test that you can use to verify the correct polarization of the gating transducers. While watching the TO1 and TO2 LEDs on the display panel, have someone lay a metal wrench on one of the gating transducers. The corresponding LED should briefly light as the wrench touches the transducer. Then lift the wrench up. The LED shouldn't light as the wrench is lifted away. Repeat the test for the other transducer.



On the Interface board (in the Controller module), the transducer signals undergo RF filtering and amplification with a gain of 30. For validation, the amplified signals are fed into comparators, which create 5-VDC pulses lasting the period of time that the amplified signals remain above 620 millivolts. Processor-A receives these 5-VDC pulses through ports PA0 (TO1) and PA1 (TO2).



A firmware-controlled feature of the comparator circuit allows adjustment of the threshold voltage based on the speed of the train. Trains traveling less than 20 mph (32 kph) use the 620-millivolt threshold setting for maximum sensitivity. However, faster trains cause the transducers to generate a higher signal voltage, which allows the system to increase the threshold voltage. This improves the signal-to-noise ratio, resulting in better signal validation.

Processor-A internally generates interrupts on the positive-going and negative-going edges of each transducer pulse coming from the comparator. The positive edge of each comparator pulse starts a timer. The timer stops with the detection of a negative-going edge. The width of each pulse is a determining factor of signal validity. Three milliseconds or greater is considered to be a valid signal. The firmware rejects any pulse width shorter than three milliseconds. Rejected pulses don't increment the transducer counters.

In normal operation, the gating transducers fire in sequence, first one, then the other. With 24-inch (61-centimeter) gating-transducer spacing, a wheel passes over both gating transducers before the next wheel passes over a gating transducer. Therefore, two consecutive pulses on the same gating transducer are not physically possible. However, in the unlikely event that a gating transducer is ever caused to fire by another source, such as electrical interference from a locomotive's traction motor, a spike counter for the gating transducer that misfired will be incremented by one. To increment the axle counter, one pulse from each gating transducer must occur in sequence.

2.6 Axle Scanning

When the train first enters the site, the SmartScanNG² system begins reading the scanners for a heat signal when the wheel is at the center of the first gating transducer. Thereafter, it starts reading the scanners 16 inches (40.6 centimeters) before the center of the first gating transducer. (See **Appendix H - Predictive Gate Scanning** for more information about this 16-inch (40.6-centimeter) pre-gate scanning.) The system continues reading until the wheel is at the center of the second gating transducer. This is the period that the axle is in view of the scanner. A negative-going edge of a transducer signal is an indication that the wheel is in the center of that transducer.

The firmware uses Dynamic Scan Rate sampling between the centers of the two transducers (that is, between the gate), which means that heat readings taken every 1/2 inch (1.27 centimeters) of wheel movement are used to detect alarms, regardless of the speed of the train. As a result, the system takes 48 evenly spaced samples as the wheel rolls through the 24-inch (61-centimeter) detection zone that is established by the distance between the gating transducers.

2.7 Hot Bearing Alarms

The SmartScanNG² system checks for hot bearings during the scanning process. It detects and records every Hotbox alarm that occurs. However, it only announces a maximum of four per train. For example, if a train contains seven Hotbox alarms, the Train Detail report will show all seven, but only the first four will be announced.

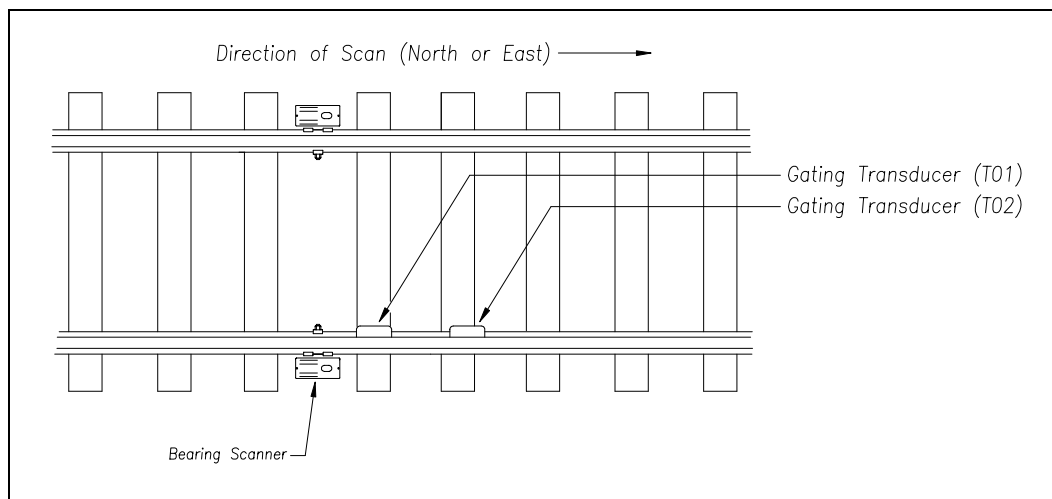
There are four types of Hotbox alarms.

- **Absolute.** To trigger an Absolute alarm, a bearing temperature must exceed the limit that was established using the Absolute option. This alarm limit is an offset, in degrees Fahrenheit, above the ambient temperature.
- **Differential.** To trigger a Differential alarm, a bearing temperature must exceed the opposite side bearing temperature of the same axle by a differential amount established using the Differential option.
- **Pyrometer Saturation.** To trigger a Pyrometer Saturation alarm, an interaxle bearing temperature must exceed the limit that was established using the Absolute option. If an Absolute alarm or a Differential alarm has already been triggered for the axle, a Pyrometer Saturation alarm isn't generated.
- **Carside Slope.** To trigger a Carside Slope alarm, a bearing temperature must meet or exceed a calculated alarm level and a minimum heat value. The bearing temperature must also be at least twice the opposite bearing's temperature. If an Absolute alarm or a Differential alarm has already been triggered for the axle, a Carside Slope alarm isn't generated. The minimum heat value is established using the Carside Minimum option.

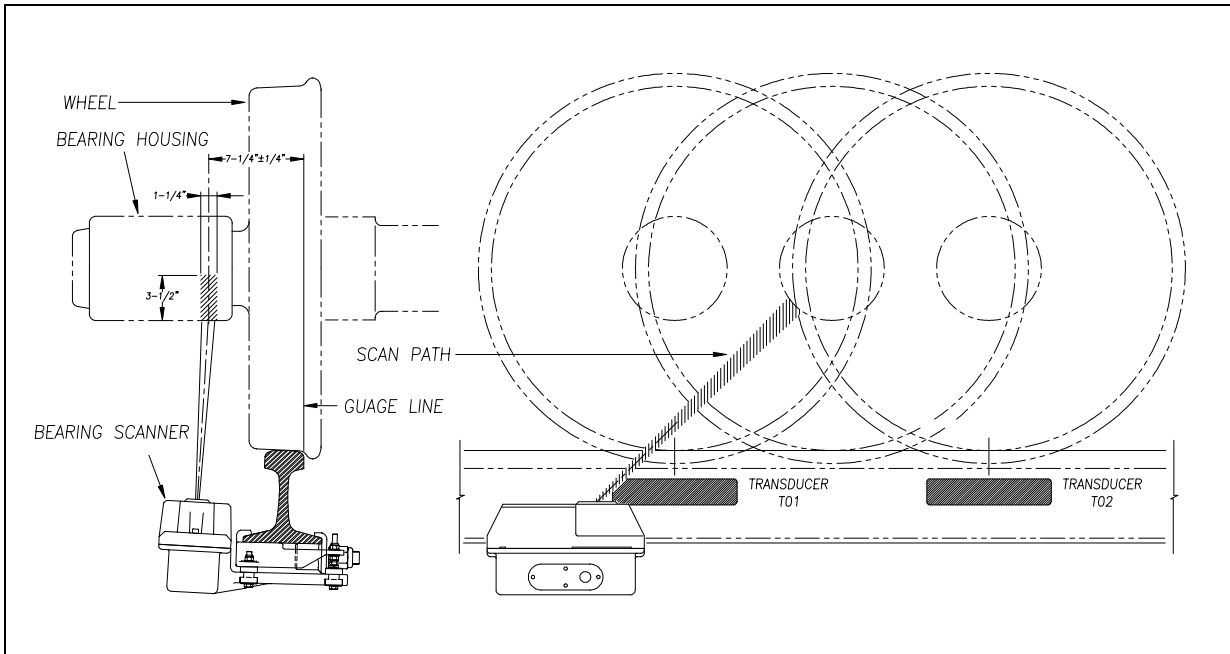
The system always checks for Absolute alarms. The system also checks for Differential alarms and Pyrometer Saturation alarms. However, their detection stops when the speed of the train drops below 7 mph (11.3 kph). In order for Carside Slope alarms to be processed, they must be enabled using the Carside Slope option on the Equipment Settings menu. The detection of Carside Slope alarms also stops when the speed of the train drops below 7 mph (11.3 kph).

2.7.1 Bearing Scan Process

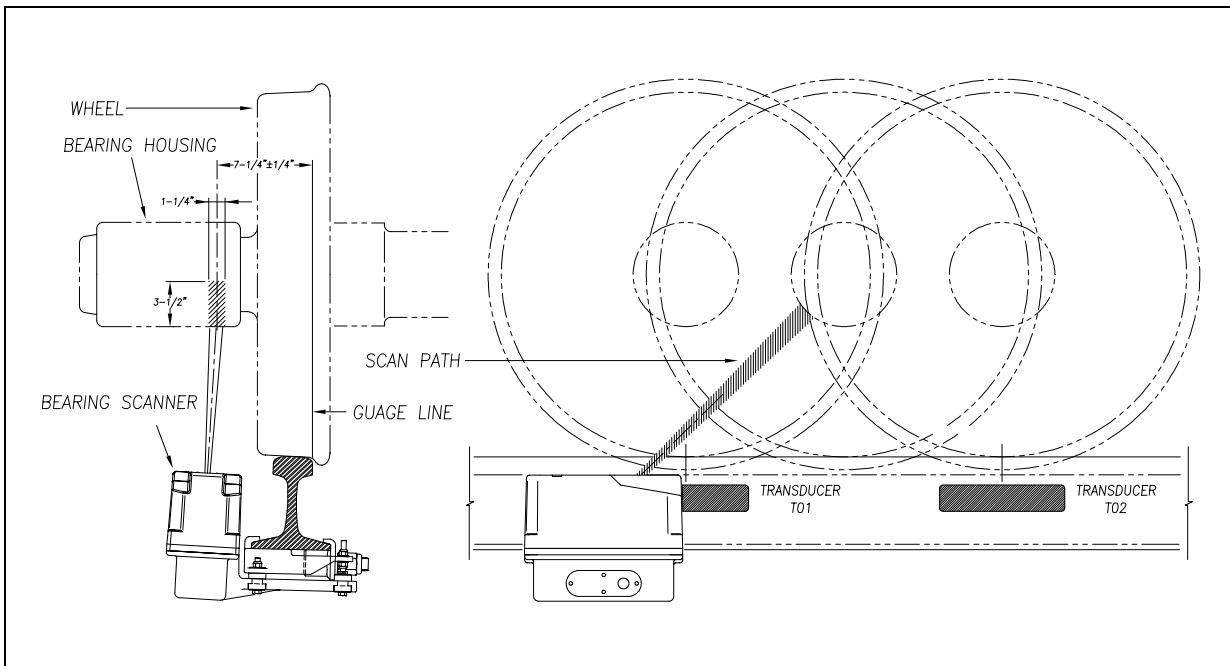
Bearing scanners are mounted in the center of the crib of two ties spaced at least 14 inches (35.6 centimeters) apart. Both bearing scanners are mounted in the crib immediately ahead of the gating transducers (that is, in the crib immediately to the south or west of the gating transducers). They are mounted directly opposite each other, one on each rail of the track. The hole on the top of the scanner covers faces north or east.



The Type II bearing scanners are aligned to scan the bottom 3.5 inches (8.9 centimeters) of the bearing housing, about 7.25 inches (18.4 centimeters) from the gauge line.



The Type III bearing scanners are aligned to scan the bottom 3.5 inches (8.9 centimeters) of the bearing housing, about 7.25 inches (18.4 centimeters) from the gauge line.



Bearing temperatures are sampled for a short period before the gate opens to support the detection of Pyrometer Saturation alarms, and while the gate is open.

2.7.2 Referencing System

Pyrometers measure rapid changes in infrared energy emitted from objects passing through their field of view. The rail-mounted scanners are aligned to take advantage of this characteristic.

When no axle is present between the gating transducers, the scanner typically sees only the undersides of the cars passing over the site. The undersides of the cars are at or near ambient temperature, thus establishing the reference from which the elevated temperatures of bearings are measured. The pyrometers normalize during this time, producing a zero-level signal.

Occasionally, the scanners are exposed to infrared emissions that are colder than the underside of the cars. Typically, this occurs in the gaps between cars when the scanners may reference on clear sky. This could present an erroneous reference if a bearing was scanned immediately following a sky shot, resulting in an abnormally high reading for the bearing. The pyrometers have internal circuitry to prevent the reference from shifting below the established zero reference.

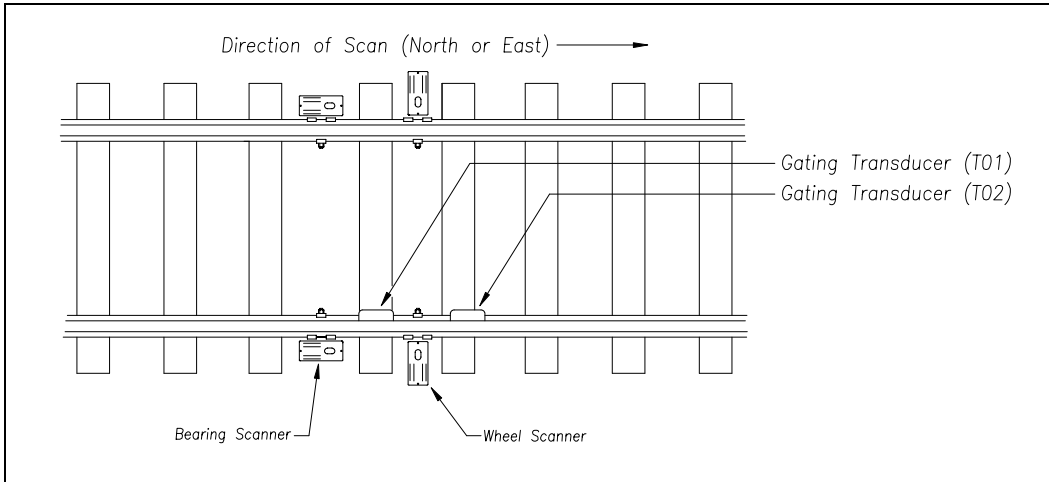
When a bearing passes through the field of view of the scanner, a rapid change in temperature is presented to the internal lithium tantalite crystal. This causes the signal level from the pyrometer to increase proportionally to the amount of exposed infrared energy. When an axle is between the gating transducers, the pyrometer signal is sampled at every 1/2 inch (1.27 centimeters) of wheel movement for a total of 48 samples, and the maximum signal level is stored. This signal level measured in volts is converted to a digital value and expressed in degrees Fahrenheit above ambient temperature. This value is the basis for the alarm analysis done by the system.

2.7.3 Pyrometer Linearity

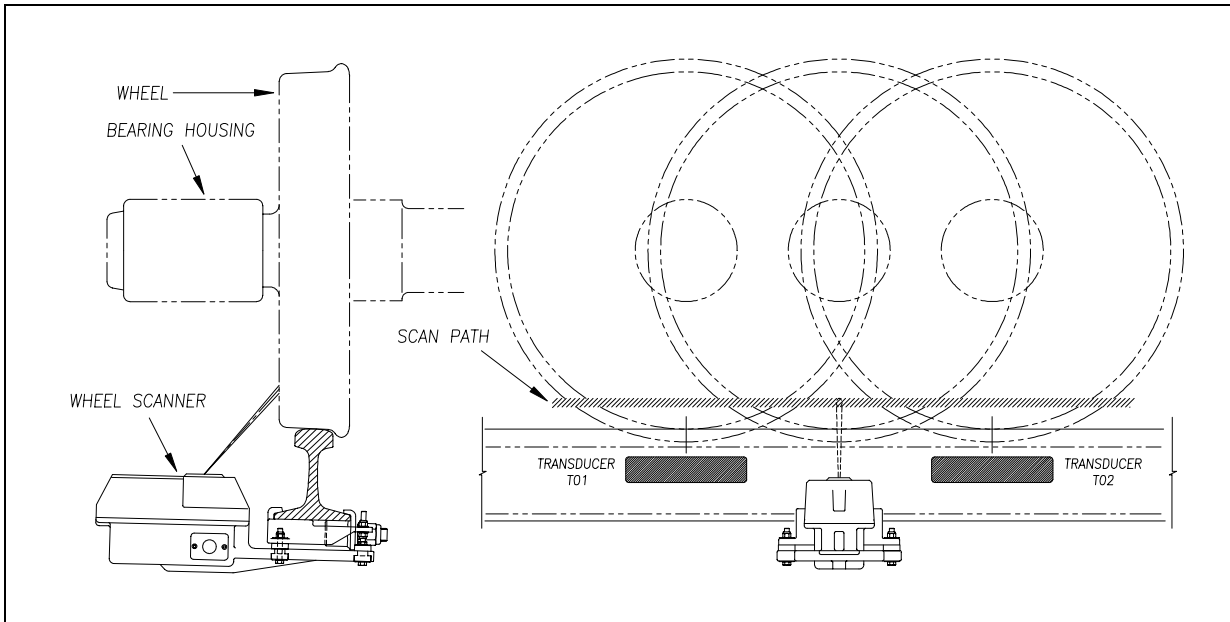
The output of the pyrometers is linear across most of the operating speed range of the system. However, the output of the pyrometers is nonlinear at either end of the operating speed range. To compensate for this nonlinear output, the firmware applies a correction factor to the sampled heat value. The correction factor applied to each bearing sample is based on the speed of the bearing (axle's on-time) as it passed through the gate and on the actual value read by the pyrometer. The correction factor is derived from a table that is keyed by the axle's on-time and heat value. Due to the fast nature of this lookup table, linearity compensation is done in real time so that detected alarms reflect the heat value after the linearity step has been done.

2.8 Hotwheel Alarms

When used, wheel scanners are mounted in the center of the crib of two ties spaced at least 14 inches (35.6 centimeters) apart. Both wheel scanners are mounted in the crib between the two gating transducers. They are mounted directly opposite each other, one on each rail of the track. The hole on the top of the scanner covers faces the center of the track.



The Type II wheel scanners are aligned to scan about 4 inches (10 centimeters) above the rail.



The SmartScanNG² system checks for hotwheels during the scanning process. Scan timing is controlled the same as for the bearing scanners.

Wheel scanning alarms are limited to absolute only. To trigger a Hotwheel alarm, wheel scanners must be properly installed, hotwheel detection must be enabled, and a wheel temperature must exceed the limit that was established using the Hotwheel option on the Alarm Settings menu. This alarm limit is an offset, in degrees Fahrenheit, above the ambient temperature. Hotwheel detection is enabled using the Hotwheel option on the Equipment Settings menu. When enabled, the SmartScanNG² system detects and records every Hotwheel alarm that occurs. However, it only announces a maximum of four per train. For example, if a train contains nine Hotwheel alarms, the Train Detail report will show all nine, but only the first four will be announced.

2.9 Auxiliary Alarms

The SmartScanNG² system can support input from as many as four external alarm devices. Any device that provides an open relay contact upon alarm detection can be supported by the system. Auxiliary alarms supported by the SmartScanNG² system are:

- **Dragging Equipment.** To trigger a Dragging-Equipment alarm, a dragging-equipment detector must be properly installed, dragging-equipment detection must be enabled, and the SmartScanNG² system must sense an open relay contact from the dragging-equipment detector. Dragging-equipment detection is enabled using the Dragger option on the Equipment Settings menu. When enabled, the SmartScanNG² system detects and records every Dragging-Equipment alarm that occurs on a given train. However, it only announces the first two.
- **High Load (oversized loads).** To trigger a High-Load alarm, a high-load detector must be properly installed, high-load detection must be enabled, and the SmartScanNG² system must sense an open relay contact from the high-load detector. High-load detection is enabled using the High-Load option on the Equipment Settings menu.
- When a high-load detector is configured for tripwire operation, the SmartScanNG² system only records one High-Load alarm, regardless of the high-load signal status. This is because you can only break a wire once.
- When a high-load detector is configured for light-beam operation, the SmartScanNG² system records every High-Load alarm that occurs. This involves a caveat that the system won't flag High-Load alarms on consecutive axles. At least one unalarmed axle must separate the alarmed axles. Regardless of the number of detected High-Load alarms, it only announces a maximum of two.
- The mode of operation (light beam or tripwire) isn't relevant when the SmartScanNG² system finds a Stuck High-Load Detector Pretrain alarm. When this occurs, the system flags the pretrain condition as an integrity failure, disables high-load scanning for the remainder of the train, and doesn't assign a high-load condition to any of the axles.

- **Wide Load** (shifted loads). To trigger a Wide-Load alarm, two wide-load detectors (one on each side of the track) must be properly installed, wide-load detection must be enabled, and the SmartScanNG² system must sense an open relay contact from either of the wide-load detectors. Wide-load detection is enabled using the Wide-Load option on the Equipment Settings menu.
- When a wide-load detector is configured for tripwire operation, the SmartScanNG² system only records one Wide-Load alarm, regardless of the wide-load signal status. This is because you can only break a wire once.
- When a wide-load detector is configured for light-beam operation, the SmartScanNG² system records every Wide-Load alarm that occurs. This involves a caveat that the system won't flag Wide-Load alarms on consecutive axles. At least one unalarmed axle must separate the alarmed axles. Regardless of the number of detected Wide-Load alarms, it only announces a maximum of two.
- The mode of operation (light beam or tripwire) isn't relevant when the SmartScanNG² system finds a Stuck Wide-Load Detector Pretrain alarm. When this occurs, the system flags the pretrain condition as an integrity failure, disables wide-load scanning for the remainder of the train, and doesn't assign a wide-load condition to any of the axles.

Both high-load detectors and wide-load detectors must be either trip-wire detectors or light-beam detectors. The selection of tripwire or light beam is done using the Clearance Type option on the Equipment Settings menu.

3.0 Display Panel

Located on the front of the SmartScanNG² Controller Module is the Display Panel. Its status indicators and display module provide a snapshot of the overall system health. As a convenience, the Display Panel also provides a user interface to execute some frequently used system functions (i.e., Auto Cal, Radio Test, etc.).



SmartScanNG² Display Panel

3.1 LED Indicators

There are six LED status indicators located above the OLED display.

LED	Meaning when Lit
TO1	Indicates wheel sensor TO1 is active.
TO2	Indicates wheel sensor TO2 is active.
COP-A	Indicates the status of Processor-A. If the CPU is running its program correctly, the LED blinks on and off. If the program isn't operating as expected, the LED is lit solid or isn't lit at all.
COP-B	Indicates the status of Processor-B. If the CPU is running its program correctly, the LED blinks on and off. If the program isn't operating as expected, the LED is lit solid or isn't lit at all.
PTT	Indicates the radio PTT is active.
SYS WARN	Indicates that a system warning has been detected.

3.2 Keypad & Display

The display assembly includes a 4-line 20-character OLED display and a five key membrane switch panel. If unused for five minutes, the display will time out to conserve power. Press any key to turn the display back on.

Keypad Switch	Function
FUNC	The function key toggles from the home screen to the Main Menu. It also serves as the “Back” key in the system submenus to return to the previous menu level.
▼ (Arrow Down)	Scroll down menu options.
▲ (Arrow Up)	Scroll up menu options.
SELECT	Selects the highlighted menu option.
RESET	Initiates system reset.

The home screen displays milepost, time, and temperature.

MP 1234.5	02:05:39
	Temp: 72

If a system warning has been detected, the display will indicate “Check Sys. Health Menu” at the bottom of the screen.

Menu Navigation:

- Press the **FUNC** key to toggle from the home screen to the Main Menu or to back out of the submenus.
- Use the **▲UP** and **▼DOWN** keys to move the **▶** pointer next to the desired menu option.
- Press the **SELECT** key to choose the menu option. The “↓” symbol on the display screen indicates that there are more options available if you scroll down. Likewise, the “↑” symbol indicates more options are available if you scroll up.

Main Menu
▶ Sys. Health Menu
Reset Sys. Health
↓ Radio Test

3.3 System Health Menu

The System Health Menu provides a snapshot of the system's general health. Each system health check displays a status of "GOOD" or "BAD" based on trending information derived from system alarms, integrity failures, and other monitored data. If a system warning has been flagged, the **SYS WARN** LED will be lit, and the "Check System Health" message will be displayed on the bottom text line of the home screen.

1. From the Main Menu, place the ► pointer next to **Sys. Health Menu**.

```
Main Menu
  ►Sys. Health Menu
    Reset Sys. Health
  ↓ Radio Test
```

2. Press the **Select** key. The status of the following system health checks are displayed:
NumTrains, LowMiscount, HighMiscount, AvgTemp0, AvgTemp1, AvgTemp2, AvgTemp3, ColdRail0, ColdRail1, ColdRail2, ColdRail3, Avg Miscount, and Batt. prcnt.

```
Sys. Health Menu
  ►NumTrains      Good
    LowMiscount   Good
  ↓ HighMiscount  Good
```

If any of these system health checks indicate a "Bad" status, select that item to display more detailed information.

3. To reset system health, navigate to the Main Menu and place the ► pointer next to the **Reset Sys. Health**.

```
Main Menu
  Sys. Health Menu
  ►Reset Sys. Health
  ↓ Radio Test
```

4. Press the **Select** key. When prompted, select **Yes** to reset system warnings and zero all health check counts.

```
Are You Sure?
  ►Yes
  No
```

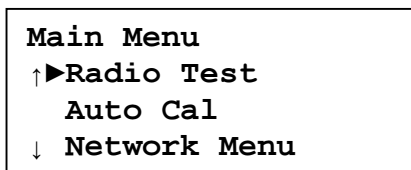
3.4 System Functions

Several system functions can be performed from the display panel. Available options are:

- System Health Menu
- Radio Test
- Scanner Cal. Menu
- Network Menu
- Radio IO Status
- Volume Menu
- System IO Status
- Test Train
- Tag Reader Test

3.4.1 Radio Test

To perform a radio test, go to the Main Menu and select **Radio Test**.



The Radio Test option is used to broadcast a short message through the speaker and through the radio. Using this option lets you verify that the speaker and radio are working properly.

At single-track sites, the text of the message is "Testing, Detector at milepost, (*milepost number*), testing, one, two, three, four, five, four, three, two, one, testing." At double-track sites, the text of the message is "Testing, Detector at milepost, (*milepost number*), track (*track designation*), testing, one, two, three, four, five, four, three, two, one, testing."

If the system isn't currently making any other voice announcements, it begins the Radio Test announcement. After the announcement finishes, the System Functions menu reappears.

If the system is currently making a voice announcement, the firmware displays the message "System Is Currently Making Voice Announcements! Try Again Later" and redisplay the System Functions menu.

While listening to the message, look at the PTT LED on the display panel.

The **PTT LED** should be lit. If this LED isn't lit, the system's ability to send a message to the radio might be inhibited by the Radio Inhibit option on the System Functions menu. If the radio is inhibited, the results of this check are invalid.

3.4.2 Auto-Calibration

The SmartScanNG² system self-calibrates its pyrometer interface circuitry. You need only put a preheated calibrated heat source on a scanner and place the system in autocalibration mode. The system then scans all pyrometer inputs until the signal from the calibrated heat source is located. The necessary adjustments to the related interface circuitry are automatically made while the system monitors its own progress by analyzing changes in the heat signals.

From the Main Menu, select **Auto Cal**. This prompt appears.

```
Searching for heat...
Searching, 150 sec.
```

Once the procedure has been completed, autocalibration mode is disengaged, and the calibration results are displayed.

For a detailed description of the auto-calibration procedures, go to **Appendix E Calibrating of Type II Scanners** or **Appendix F Calibrating of Type III Scanners**.

3.4.3 Network Menu

From the Main Menu, select the **Network Menu** option to view/change network settings.

```
Network Menu
▶Wifi: Off
  Laptop Direct: Off
↓ IP Addresses
```

Available options are:

Secure Wireless (on/off), Laptop Direct (on/off), IP Addresses, DHCP (on/off), TELNET port, DHCP (on/off), HTTP port, and HTTPS port.

3.4.4 Radio Menu

From the Main Menu, select Radio Menu to view the radio screen. This screen will display certain radio status information such as:

- “PTT Disabled” if Radio Inhibit is active
- “Holdoff Active” if holdoff is enabled
- “CD active” when radio has detected an active carrier signal

Press the **SELECT** key to initiate Radio Test.

3.4.5 Volume Menu

From the Main Menu, select **Volume Menu** to view/change speaker volume.

```
Vol: 5 [||||| ]  
Up/Down = change  
Select = Radio test  
Func = Back
```

There are ten volume settings (0 – 9), with level 9 being the maximum volume. Press the ▲UP key to increase the volume level. Press the ▼DOWN key to decrease the volume level.

Pressing the **SELECT** key while in Volume Menu will initiate a radio test.

The Radio Test is used to broadcast a short message through the speaker and through the radio. Using this option lets you verify that the speaker volume is at a sufficient level. At single-track sites, the text of the message is "Testing, Detector at milepost, (milepost number), testing, one, two, three, four, five, four, three, two, one, testing." At double-track sites, the text of the message is "Testing, Detector at milepost, (milepost number), track (track designation), testing, one, two, three, four, five, four, three, two, one, testing."

Press the **FUNC** key to back out of the menu.

4.0 Serial Interface

The serial interface allows **on-site** and **off-site** communication with the system. This interface is the only way to view reports and modify system parameters.

Most sites are equipped with either Ethernet or telephone service that provides remote communications capabilities. If not, you cannot communicate with the system **off-site**.

To use the interface locally, you need:

- A computer
- Communications software, which is installed on the computer
- A cable from the computer to a communications port on the Controller module

For remote access via telephone:

- A computer with communications software
- A modem, which is connected to the computer
- A nonswitched analog telephone line, which is connected to the computer's modem
- Another modem, which is connected to COM3 on the Interface board (internally) or COM3 on the Controller module (externally)
- Another nonswitched analog telephone line, which is connected to the SmartScanNG²'s modem

For remote access via network:

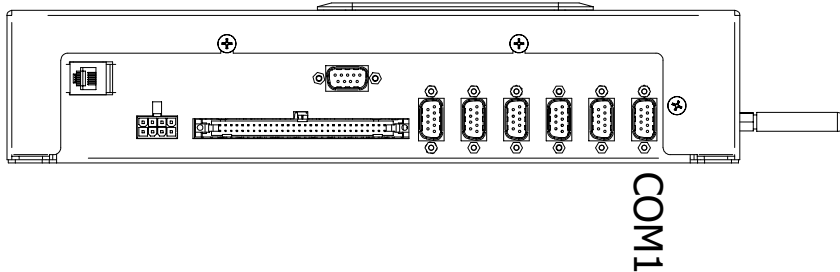
- A computer with communications software and internet connectivity
- An Ethernet connection at the SmartScanNG² controller

If your site uses an external modem, it must be attached to COM3 on the Controller module. But before attaching it, you must first disconnect P14 on the Interface board from the internal modem. You must next route COM3 on the Interface board to the external connector COM3 on the SmartScanNG² chassis (that is, the Controller module).

This section describes the serial interface for the SmartScanNG² systems. It covers how to enter or change the system parameters. It is necessary to go through a complete setup the first time a SmartScanNG² system is installed at a new site. (If this is a double-track site, you also need to do this for the other SmartScanNG² system.) After that, the processor (in the Controller module) retains the setup information in flash memory. During a power outage, no setup information is lost.

4.1 Main Menu

- 1 If **off-site**, skip to step 5.
- 2 If **on-site**, plug your computer into COM1.



- 3 Turn on your computer.
- 4 Be sure that your computer has installed communications software, that it is set to use full-duplex, and that the baud rate is set to 115,200.
Use your communications software to open a LOG file and capture the whole session to the file. When your session is complete, you may then view what you have done with an editor, print it with a printer, or store it for later retrieval.
- 5 On your computer, open a LOG file.
- 6 If **off-site**
 - a From your computer, initiate a remote connection to the site modem.
 - b Wait for the "connect" message from your modem.

To display the **Main Menu**:

- 7 Press **[Esc]**.

If the system has been set up with security passwords, this prompt appears.

```
Enter password:
```

- 8 Type the appropriate password to display Main Menu.
System login with an administrative password allows all access to system menus.
System login with user password allows access to report menus and system functions menu but restricts access to the setup menu and security menu.

9 The Main Menu

```
SmartSCAN NG2, MP/KP:1234.5, Track:North
28/09/2023 07:59:29, 11.7V, 74°F
Main Menu - Comm
-----
[A] - Train Summary
[B] - Train Detail
[C] - Exception Summary
[D] - Exception Detail
[E] - System Status Report
[F] - Last Train
[G] - Train DSRs
[H] - AEI Diagnostic
[I] - Setup
[J] - Event Log
[K] - System Functions Menu
[L] - Replay Train
[M] - Security Menu
[X] - Exit
```

By selecting an option at the above prompt, you can:

- Produce a report.
- Replay an EOT announcement.
- Access the Setup menu. It is from the Setup menu that you can set system parameters.
- Enter pass-through mode. Pass-through mode allows you to access two SmartScanNG² systems with one modem.
- Access the System Functions menu.

If a train is at the site when the Main menu is generated, "*** Train Is Present ***" is displayed just above the menu header for the Main menu and for every other menu.

10 When done, close the LOG file.

11 To exit the serial interface and return the system to normal operation, type **X**.

When a session ends, if a modem is used, the system sends various commands to the modem to prepare it for future use. If, at any time during the disconnect procedure, lines such as "+++ATH0" appear on your screen, these are merely commands preparing the modem for further use. They shouldn't be construed as anything that is meant for the user.

4.2 Setup Menu

To display the Setup menu:

- 1 Be sure that the Main menu is displayed.

The Main menu looks like this.

```
SmartSCAN NG2, MP/KP:1234.5, Track:North
28/09/2023 07:59:29, 11.7V, 74°F
Main Menu - Comm
-----
[A] - Train Summary
[B] - Train Detail
[C] - Exception Summary
[D] - Exception Detail
[E] - System Status Report
[F] - Last Train
[G] - Train DSRs
[H] - AEI Diagnostic
[I] - Setup
[J] - Event Log
[K] - System Functions Menu
[L] - Replay Train
[M] - Security Menu
[X] - Exit
```

- 2 Select the **Setup** to view menu options.

If the Setup menu is password protected, this prompt appears.

```
You are not logged in with admin privileges
Enter password:
```

You are given three chances to type the correct password. When you don't type the correct password in three tries, the system returns to the Main menu.

If the password is less than 20 characters long, press **[Enter]** after typing the last character. If the password is the full 20 characters in length, pressing **[Enter]** isn't necessary.

The entry of the password is **not** case-sensitive. For example, the password "abc#123" can be entered as "ABC#123," "aBc#123," and so forth.


```

Setup Menu
-----
[A] - Date and Time
[B] - MP/KP
[C] - Track Designation ..... North
[D] - Track Direction ..... N/S
[E] - Alarm Settings
[F] - Equipment Settings
[G] - Message Settings
[H] - AEI Settings
[I] - Units Of Measure Settings
[J] - Load Default Setup Parameters
[K] - COM Port Settings
[L] - Network Settings
[X] - Exit

```

To access any of the Setup menu options, type the letter corresponding to the desired menu option.

At any prompt, a timeout mechanism is in place to prevent the system from remaining in that state indefinitely. When a timeout occurs, the serial interface regresses to the previous menu. For example, if a timeout occurs in the Equipment Settings menu, the system reverts to the Setup menu. If this menu times out, the system reverts to the Main menu. If this menu times out, the system disconnects the modem connection and resumes normal operation. At the Main menu, the timeout is set for five minutes. For all other prompts, the system uses several different timeout values.

If a train is at the site when the Setup menu is generated, "*** Train Is Present ***" is displayed just above the menu header for the Setup menu.

- 3 To return to the Main menu, type **X**.

Changes to the system parameters aren't reflected until after you have exited the Setup menu.

4.2.1 Date and Time

To set or change the date, the time, or both:

- 1 Be sure that the Setup menu is displayed.

The Setup menu looks like this.

```

Setup Menu
-----
[A] - Date and Time
[B] - MP/KP
      .
      .
      .

```

- 2 Select the Date and Time submenu.

A prompt like this appears.

```
Current Date: 29/09/2023
Enter New Date (mm/dd/yyyy):
```

Dates are in **mm/dd/yyyy** format, where **mm** is month, **dd** is day, and **yyyy** is year. Type the current date. You must include slashes. For days and months from 1 through 9 you must type leading zeros. Thus, for 10 July 2020, type **07/10/2020**.

If you want to keep the displayed date, press **[Enter]**. If you don't, type a new date.

- 3 Type a new date or press **[Enter]**.

A prompt like this appears.

```
Current time is: 22:47:34
Enter new time:
```

Time is in 24-hour **hh:mm:ss** format, where 8 a.m. is 08:00:00, noon is 12:00:00, 8 p.m. is 20:00:00, and midnight is 00:00:00. Thus, for 17 seconds past 3:42 p.m., type **15:42:17**. You must include colons. For hours, minutes, and seconds from 0 through 9, type leading zeros.

If you want to keep the displayed time, press **[Enter]**. If you don't, type a new time.

- 4 Upon completion of the step above, you will be prompted to type the word "setup" to save any changes made.

4.2.2 Milepost/Kilometer Post (MP/KP)

To set or change the milepost/kilometer post (MP/KP) setting:

- 1 Be sure that the Setup menu is displayed.

The Setup menu looks like this.

```
Setup Menu
-----
[A] - Date and Time
[B] - MP/KP
[C] - Track Designation ..... West
[D] - Track Direction ..... N/S
      .
      .
      .
```

- 2 Select the MP/KP submenu..

A prompt like this appears.

```
Enter the milepost in the form ####.# (use leading zeros):
```

MP/KP is in **nnnn.n** format. If the desired MP/KP has less than five digits, type leading zeros. If the desired MP/KP is an integer, type a trailing zero. Thus, for MP/KP 30, type **0030.0**.

- 3 To keep the displayed MP/KP:
 - a Press **[Enter]**.
The Setup menu reappears.
 - b Skip the remaining steps.
- 4 To change the displayed MP/KP, type the new five-digit MP/KP, including the decimal point.
Upon completion of the step above, you will be prompted to type the word “setup” to save any changes made.
The Setup menu reappears.

4.2.3 Track Designation

To set or change the track designation:

- 1 Be sure that the Setup menu is displayed.

The Setup menu looks like this.

```

Setup Menu
-----
[A] - Date and Time
[B] - MP/KP
[C] - Track Designation ..... West
[D] - Track Direction ..... N/S
      .
      .
      .
  
```

- 2 Select the Track Designation option.

A prompt like this appears.

```

Select a track designation:
[A] - North
[B] - South
[C] - East
[D] - West
[E] - Track 1
[F] - Track 2
[G] - Track 3
[H] - Track 4
[I] - Single
  
```

Select the track designation appropriate for the site by pressing the corresponding letter.

Upon completion of the step above, you will be prompted to type the word “setup” to save any changes made.

4.2.4 Track Direction

To change the track direction:

- 1 Be sure that the Setup menu is displayed.

The Setup menu looks like this.

```
Setup Menu
-----
[A] - Date and Time
[B] - MP/KP
[C] - Track Designation ..... West
[D] - Track Direction ..... N/S
      .
      .
      .
```

- 2 Select the Track Direction option to toggle the setting from N/S to E/W.

4.2.5 Alarm Settings

To set or change one or more of the alarm settings (aka alarm limits):

- 1 Be sure that the Setup menu is displayed.

The Setup menu looks like this.

```
Setup Menu
-----
[A] - Date and Time
[B] - MP/KP
[C] - Track Designation ..... West
[D] - Track Direction ..... N/S
[E] - Alarm Settings
      .
      .
      .
```

- 2 Select the Alarm Settings menu.

A menu and prompt like this appears.

```
Alarm Settings
-----
[A] - Absolute ..... 150
[B] - Differential ..... 255
[C] - Hot Wheel (N/E Bound) ..... 500
[D] - Hot Wheel (S/W Bound) ..... 500
[E] - Cold Rails ..... 3
[F] - Cold Rail Temp ..... 10
[G] - Cold Res Counter ..... 3
[H] - Differential Enabled ..... No
[I] - Advanced
[X] - Exit
```

This menu option allows you to change the various alarm limits that affect system operations. The current setting for each limit is displayed. To change one of the alarm limit settings, start by typing the letter corresponding to the desired option.

3 To leave the Alarm Settings menu and return to the Setup menu:

- a Press **[Esc]** or type **X**.
The Setup menu reappears.
- b Skip the remaining steps.

4 To change the displayed **absolute-alarm limit** :

The number after the word Absolute (on the Alarm Settings menu) is an offset in degrees Fahrenheit above ambient temperature. When a bearing temperature exceeds this value, the system generates an Absolute alarm.

```
Alarm Settings
-----
[A] - Absolute ..... 150
[B] - Differential ..... 255
      :
      :
```

a Select **Absolute** from the Alarm Settings menu.

This prompt appears.

```
Absolute alarm setting (default = 150)
Enter a value from 1 to 300:
```

If the new limit has less than three digits, type leading zeros to make it three digits long or press **[Enter]** after typing one or two digits.

- b To not change the limit, press **[Esc]** and return to the Alarm Settings Menu.
- c Type the new limit.

5 To change the displayed **differential-alarm limit** :

The number after the word Differential (on the Alarm Settings menu) is an offset in degrees Fahrenheit between rail1 and rail2. A bearing temperature is compared to the bearing temperature on the opposite end of the same axle. When the difference in temperatures exceeds the value on the screen, the system generates a Differential alarm. Checking for Differential alarms stops when the speed of the train drops below 7 mph (11.3 kph).

```
Alarm Settings
-----
[A] - Absolute ..... 150
[B] - Differential ..... 255
      :
      :
```

- a Select **Differential** from the Alarm Settings menu.

This prompt appears.

```
Differential alarm setting (default = 255)
Enter a value from 1 to 300:
```

If the new limit has less than three digits, type leading zeros to make it three digits long or press **[Enter]** after typing one or two digits.

- b To not change the limit, press **[Esc]** and return to the Alarm Settings menu.
- c Type the new limit.

6 To change the displayed **hotwheel-alarm limit** :

The number after the words Hot Wheel (on the Alarm Settings menu) is an offset in degrees Fahrenheit above ambient temperature. When a wheel temperature exceeds this value, the system generates a Hotwheel alarm. However, when the Hotwheel option on the Equipment Settings menu is disabled, Hotwheel alarms aren't generated.

```
Alarm Settings
-----
[A] - Absolute ..... 150
[B] - Differential ..... 255
[C] - Hot Wheel (N/E Bound) ..... 500
[D] - Hot Wheel (S/W Bound) ..... 500
      .
      .
      .
```

- a Select **Hot Wheel** (N/E or S/W Bound) from the Alarm Settings menu.

A prompt like this appears.

```
Hot Wheel (N/E Bound) alarm setting (default = 500)
Enter a value from 1 to 900: 600
Setting value to 600
```

If the new limit has less than three digits, type leading zeros to make it three digits long or press **[Enter]** after typing one or two digits.

- b To not change the limit, press **[Esc]** and return to the Alarm Settings menu.
- c Type the new limit.

7 To change the displayed **number of allowed consecutive cold rail events**:

The number after the words Cold Rails (on the Alarm Settings menu) is the maximum number (per rai-side) of consecutive trains having:

- Cold Rail alarms needed to generate a Successive Cold Rails Exceeded alarm.
- Cold Resistor alarms needed to generate a Successive Cold Resistors Exceeded alarm.
- Cold Wheel Scanner alarms needed to generate a Successive Cold Wheels Exceeded alarm.

- Cold Wheel Scanner Resistor alarms needed to generate a Successive Cold Wheel Resistors Exceeded alarm.

```

      .
      .
      .
[E] - Cold Rails ..... 3
[F] - Cold Rail Temp ..... 10
[G] - Cold Res Counter ..... 3
[H] - Differential Enabled ..... No
[I] - Advanced
[X] - Exit

```

a Select **Cold Rails** from the Alarm Settings menu.

This prompt appears.

```

New Value ? Rails alarm setting (default = 3)
Enter a value from 1 to 9:

```

If the new value has less than three digits, type leading zeros to make it three digits long or press **[Enter]** after typing one or two digits.

- b To not change the value, press **[Esc]** and return to step 3.
- c Type the new value.

8 To change the displayed **cold rail temperature**:

The number after the words Cold Rail Temp (on the Alarm Settings menu) is an offset, in degrees Fahrenheit, above the ambient temperature. When no bearing on a given rail generates a delta temperature reading greater than or equal to this value, the system generates a Cold Rail alarm for the given rail. There is a different Cold Rail alarm for each rail. That is, there is a Cold North Rail alarm and a Cold South Rail alarm (or, depending on track direction, a Cold East Rail alarm, and a Cold West Rail alarm).

```

      .
      .
      .
[F] - Cold Rail Temp ..... 10
[G] - Cold Res Counter ..... 3
[H] - Differential Enabled ..... No
[I] - Advanced
[X] - Exit

```

a Select **Cold Rail Temp** from the Alarm Settings menu.

This prompt appears.

```

Cold Rails alarm setting (default = 10)
Enter a value from 1 to 30:

```

If the new value has less than three digits, type leading zeros to make it three digits long or press **[Enter]** after typing one or two digits.

- b To not change the value, press **[Esc]** and return to step 3.
- c Type the new value.

9 To change the displayed **cold resistor counter**:

The number after the words Cold Res Counter is the maximum number (per raiiside) of consecutive trains having Cold Resistor alarms, allowed before generating a Successive Cold Resistors Exceeded alarm. Under normal circumstances, cold resistor conditions represent System Alarms, not Integrity Failures. However, if the number of consecutive trains bearing identical Cold Resistor alarms equals or exceeds the Cold Resistor Counter option on the Alarm Settings menu, this condition becomes an Integrity Failure. If the number of consecutive trains bearing identical Cold Resistor alarms equals or exceeds the cold-resistor limit, the System Alarms section of the Train Detail and Exception Detail reports displays the message "Successive Cold Resistors Exceeded."

```
      .  
      .  
      .  
[G] - Cold Res Counter ..... 3  
[H] - Differential Enabled ..... No  
[I] - Advanced  
[X] - Exit
```

a Select **Cold Res Counter**

This prompt appears.

```
Cold Res Counter alarm setting (default = 3)  
Enter a value from 1 to 9:
```

If the new value has less than three digits, type leading zeros to make it three digits long or press **[Enter]** after typing one or two digits.

b To not change the value, press **[Esc]** and return to step **3**.

c Type the new value.

10 To change the displayed Differential Enabled setting, select the option to toggle the setting from "Yes" to "No."

```
      .  
      .  
      .  
[G] - Cold Res Counter ..... 3  
[H] - Differential Enabled ..... No  
[I] - Advanced  
[X] - Exit
```


11 Select the Advanced option to view and change other Alarm setting options:

Select the desired setting. After the prompt, enter a new value.

```
Alarm Settings (Advanced)
-----
[A] - Carside Slope ..... 1.31
[B] - Carside Minimum ..... 90
[C] - Res Test: Minimum Rail Avg .... 25
[D] - Res Test: Minimum Wheel Avg ... 28
[E] - Bearing DSR Capture Temp ..... 72
[F] - Wheel DSR Capture Temp ..... 361
[G] - Max Alarms ..... 8
[X] - Exit
```

12 To change the displayed **carside-slope value**:

The number after the words Carside Slope (on the Alarm Settings menu) is the slope value used when doing carside-slope calculation/analysis. **Section 2.0 - Defect Detection** describes the Carside Slope alarm process. In order for Carside Slope alarms to be processed, they must be enabled using the Carside Slope option on the Equipment Settings menu. The detection of Carside Slope alarms stops if the speed of the train drops below 7 mph (11.3 kph).

```
      :
      :
[A] - Carside Slope ..... 1.31
[B] - Carside Minimum ..... 90
[C] - Res Test: Minimum Rail Avg .... 25
      :
      :
```

a Select **Carside Slope** from the Alarm Settings (Advanced) menu.

This prompt appears.

```
Carside Slope alarm setting (default = 1.31)
Enter a value from 0.01 to 2.55:
```

The slope value is in **n.nn** format. If the new value has less than three digits, type leading zeros, trailing zeros, or both. Thus, for .98, type **0.98**. For 1.2, type **1.20**.

- b To not change the value, press **[Esc]** and return to step 3.
- c Type the new value.

13 To change the displayed **carside minimum heat value**:

The number after the words Carside Minimum (on the Alarm Settings menu) is a minimum offset (in degrees Fahrenheit) used when doing carside-slope calculation/analysis. If the Carside Slope option on the Equipment Settings menu is disabled during train passage, no carside-slope calculation/analysis is done, and thus no Carside Slope alarms are generated. If the Carside Slope option on the Equipment Settings menu is disabled at the time a Train Detail report is requested, no carside-slope calculation is done, and thus, no carside-slope alarm-limit lines are generated. **Section 2.0 - Defect Detection** describes the Carside Slope alarm process.

```
      .
      .
[A] - Carside Slope ..... 1.31
[B] - Carside Minimum ..... 90
[C] - Res Test: Minimum Rail Avg .... 25
      .
      .
```

a Select **Carside Minimum** from the Alarm Settings menu.

This prompt appears.

```
Carside Minimum alarm setting (default = 90)
Enter a value from 0 to 300:
```

If the new value has less than three digits, type leading zeros to make it three digits long or press **[Enter]** after typing one or two digits.

b To not change the value, press **[Esc]** and return to step 3.

c Type the new value.

14 To change other Alarm Setting (Advanced) options:

Select the desired setting. After the prompt, enter a new value.

```
      .
      .
      .
[C] - Res Test: Minimum Rail Avg .... 25
[D] - Res Test: Minimum Wheel Avg ... 28
[E] - Bearing DSR Capture Temp ..... 72
[F] - Wheel DSR Capture Temp ..... 361
[G] - Max Alarms ..... 8
[X] - Exit
```

4.2.6 Equipment Settings

To set or change one or more of the equipment parameters:

1 Be sure that the Setup menu is displayed.

The Setup menu looks like this.

```
Setup Menu
-----
[A] - Date and Time
[B] - MP/KP
[C] - Track Designation ..... West
[D] - Track Direction ..... N/S
[E] - Alarm Settings
[F] - Equipment Settings
      .
      .
```

2 Select the Equipment Settings menu.

A menu and prompt like this appear.

```

Equipment Settings
-----
[A] - Dragger ..... Yes
[B] - High Load ..... No
[C] - Wide Load ..... No
[D] - Hot Wheel ..... No
[E] - AEI ..... No
[F] - Hot Bearing ..... Yes
[G] - Presence Hardware ..... Yes
[H] - Advance Transducers ..... No
[I] - AC Power Off Monitor ..... Yes
[J] - Select Scanner Types
[K] - Advanced
[X] - Exit

```

The current setting for each menu option is displayed. For example, the screen above shows that Wide-Load alarm detection is inactive (NO). To change one of the settings, press the letter corresponding to the desired option. Except for the Gate Distance option, which requires a value entry, all the options toggle between two or three settings.

3 To leave the Equipment Settings menu and return to the Setup menu:

a Press **[Esc]** or type **X**.

The Setup menu reappears.

b Skip the remaining steps.

4 To change the current **dragger** (aka dragging-equipment) setting:

The Equipment Settings menu shows whether Dragging-Equipment alarm detection is enabled (YES) or disabled (NO). When disabled, Dragging-Equipment alarms won't be announced nor stored. Since they aren't stored, they can't be printed. When enabled, Dragging-Equipment alarms will be announced and stored. Since they are stored, they can be printed. In the presence of a continuous Dragger signal, the system alarms consecutive axles. When the system reaches the fifth consecutive Dragger alarmed axle, it flags the Stuck Dragger condition.

```

Equipment Settings
-----
[A] - Dragger ..... NO
[B] - High Load ..... NO
[C] - Wide Load ..... NO
      .
      .
      .

```

a Select **Dragger** from the Equipment Settings menu.

The dragging-equipment setting toggles between active (YES) and inactive (NO). The Dragger option on the Equipment Settings menu changes. The Equipment Settings menu reappears.

If you want Dragging-Equipment alarm detection to occur, be sure that YES appears after the word Dragger on the Equipment Settings menu.

b Return to step 3.

5 To change the current **high-load** setting:

The Equipment Settings menu shows whether High-Load alarm detection is active (YES) or inactive (NO). To announce High-Load alarms, YES must appear after the words High Load on the Equipment Settings menu, and Separate must appear after the words Clearance Mode on the Equipment Settings menu. To announce High-Wide alarms, YES must appear after the words High Load on the Equipment Settings menu, and Multiplexed must appear after the words Clearance Mode on the Equipment Settings menu.

Equipment Settings	

[A] - Dragger	NO
[B] - High Load	NO
[C] - Wide Load	NO
	•
	•
	•

a Select **High Load** from the Equipment Settings menu.

The high-load setting toggles between active (YES) and inactive (NO). The High-Load option on the Equipment Settings menu changes. The Equipment Settings menu reappears.

If you want High-Load alarm detection to occur, be sure that YES appears after the word High-Load on the Equipment Settings menu.

b Return to Equipment Settings.

6 To change the current **wide-load** setting:

The Equipment Settings menu shows whether Wide-Load alarm detection is active (YES) or inactive (NO).

a Select **Wide Load** from the Equipment Settings menu.

The wide-load setting toggles between active (YES) and inactive (NO). The Wide-Load option on the Equipment Settings menu changes. The Equipment Settings menu reappears.

If you want Wide-Load alarm detection to occur, be sure that YES appears after the word Wide-Load on the Equipment Settings menu.

b Return to step 3.

7 To change the current **hotwheel** setting:

The Equipment Settings menu shows whether Hotwheel alarm detection is enabled (YES) or disabled (NO). When disabled, Hotwheel alarms won't be announced nor stored. Since they aren't stored, they can't be printed. When enabled, Hotwheel alarms will be announced and stored. Since they are stored, they can be printed.

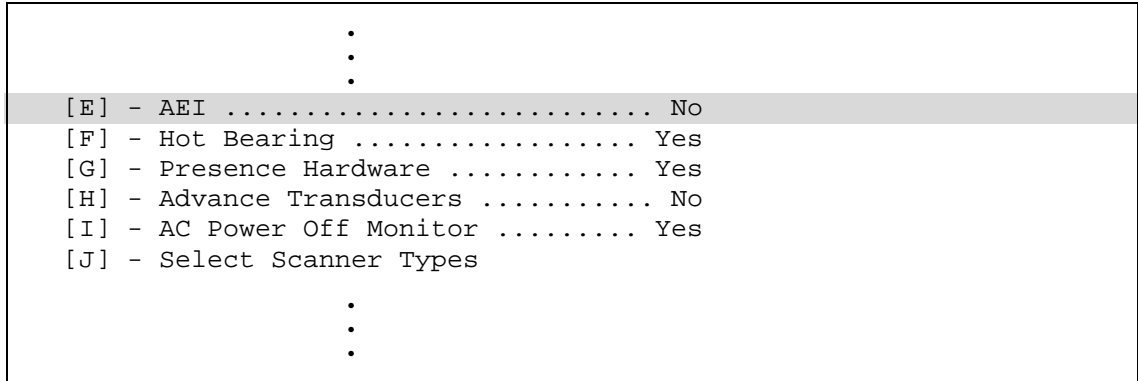
a Select **Hot Wheel** from the Equipment Settings menu.

The hotwheel setting toggles between active (YES) and inactive (NO). The Hotwheel option on the Equipment Settings menu changes. The Equipment Settings menu reappears.

b Return to step 3.

8 To change the current **AEI** setting:

The Equipment Settings menu shows whether the AEI subsystem is enabled (YES) or disabled (NO). When tag readers and attendant antennas and cabling are present, this parameter should be set to YES so that the system knows to configure the readers and use the AEI data transmitted from them. When there is no installed AEI subsystem attached to the SmartScanNG² system, this parameter should be set to NO.



a Select **AEI** from the Equipment Settings menu.

The AEI setting toggles between enabled (YES) and disabled (NO). The AEI option on the Equipment Settings menu changes. The Equipment Settings menu reappears.

b Return to step 3.

9 To change the **Hot Bearing** setting:

The Equipment Settings menu shows whether the Hot Bearing alarm detection is enabled (YES) or disabled (NO). When disabled, Hot Bearing alarms won't be announced nor stored. Since they aren't stored, they can't be printed. When enabled, Hot Bearing alarms will be announced and stored.

a Select **Hot Bearing** from the Equipment Settings menu.

The hot bearing setting toggles between active (YES) and inactive (NO). The Equipment Settings menu reappears.

b Return to step 3.

10 To change the **Presence Hardware** setting:

a Select **Presence Hardware** from the Equipment Settings menu.

The Presence Hardware setting toggles between active (Enabled) and inactive (Disabled). The Equipment Settings menu reappears.

b Return to step 3.

11 To change the **Advance Transducer** setting:

- a Select **Advance Transducer** from the Equipment Settings menu.

The Advance Transducer setting toggles between Yes (Enabled) and No (Disabled). The Equipment Settings menu reappears.

- b Return to step 3.

12 To change the **AC Power Off Monitor** setting:

- a Select **AC Power Off Monitor** from the Equipment Settings menu.

The AC Power Off Monitor setting toggles between Yes (Enabled) and No (Disabled). The Equipment Settings menu reappears.

- b Return to step 3.

13 To **Select Scanner Types**:

The Equipment Menu shows the scanner type currently selected for each scanner position.

- a Select Scanner Types option from the Equipment Settings menu.

```
Scanner Types (changes require calibration)
-----
[A] - North Rail: Type III
[B] - South Rail: Type III
[C] - North Wheel: Type III
[D] - South Wheel: Type III
[X] - Exit
```

Select scanner options to cycle between **Type III** and **Type II**.

Type X to return to the Equipment Settings menu.

- b Return to Equipment Settings.

14 To change other equipment settings, select the Equipment Settings (Advanced) option.

```
Equipment Settings
-----
[A] - Dragger ..... Yes
[B] - High Load ..... No
[C] - Wide Load ..... No
[D] - Hot Wheel ..... No
[E] - AEI ..... No
[F] - Hot Bearing ..... Yes
[G] - Presence Hardware ..... Yes
[H] - Advance Transducers ..... No
[I] - AC Power Off Monitor ..... Yes
[J] - Select Scanner Types
[K] - Advanced
[X] - Exit
```

The Advanced menu will appear.

```
Equipment Settings (Advanced)
-----
[A] - Carside Slope ..... Yes
[B] - Clearance Type ..... Light Beam
[C] - Clearance Mode ..... Multiplexed
[D] - Winter Cycle ..... Disabled
[E] - Transducer Gain ..... Normal
[F] - Resistor Test ..... Enabled
[G] - Gate Distance ..... 24.0 in
[H] - Dragger Debounce Time ..... 200 ms
[I] - Pre Train Dragger Dist ..... 0 ft
[J] - Pre Train High/Wide Dist .... 0 ft
[K] - Presence Timeout Period ... 10 sec
[L] - System Voltage ..... 12v
[M] - Transducer / Scanner Offset Menu
[O] - Carrier Detect Active State .. Low
[X] - Exit
```

15 To change the current **carside-slope** setting:

The Equipment Settings menu shows whether Carside Slope alarm detection is enabled (YES) or disabled (NO). If disabled (NO) during train passage, no carside-slope calculation/analysis is done, and thus, no Carside Slope alarms are generated. If disabled (NO) at the time a Train Detail report is requested, no carside-slope calculation is done, and thus no carside-slope alarm-limit lines are generated.

- a** Select **Carside Slope** from the Equipment Settings menu.
The carside-slope setting toggles between active (YES) and inactive (NO). The Carside Slope option on the Equipment Settings menu changes. The Equipment Settings menu reappears.

- b** Return to step 3.

16 To change the current **clearance-type** setting:

The Equipment Settings menu shows whether the clearance type is tripwire or light beam. This option is only used for high-load detectors and wide-load detectors. Both high-load detectors and wide-load detectors must be either trip-wire detectors or light-beam detectors.

- a** Select **Clearance Type** from the Equipment Settings menu.
The clearance-type setting toggles between tripwire and light beam. The Clearance Type option on the Equipment Settings menu changes. The Equipment Settings menu reappears.

- b** Return to step 3.

17 To change the current **clearance-mode setting:**

The Equipment Settings menu shows whether clearance mode is separate or multiplexed. This option is only used for high-load detectors and wide-load detectors. When set to separate, the alarms coming from the high-load detectors are announced as High-Load alarms, and the alarms coming from the wide-load detectors are announced as Wide-Load alarms. When set to multiplexed, the alarms coming from the high-load detectors and wide-load detectors are announced as High-Wide alarms.

a Select **Clearance Mode from the Equipment Settings menu.**

Configuring the detector's Clearance Mode parameter for Multiplexed operation requires that the Announce High Load and Announce Wide Load settings have matching values. Consequently, operating with a Clearance Mode setting of Multiplexed has the following operational effects:

- When switching the Clearance Mode parameter from Separate to Multiplexed, the firmware checks the current Announce High Load and Announce Wide Load settings. If they match, no changes occur. If they differ, the firmware changes both to Yes. In this situation, the following warning message appears on the Serial Interface.

```
*****  
* When setting Clearance Mode to Multiplexed operation, the Announce High *  
* Load and Announce Wide Load options will change to Yes (enabled) if *  
* their current settings do not match. *  
*****
```

- With the Clearance Mode parameter set for Multiplexed operation, changing the Announce High Load or Announce Wide Load setting forces a matching change to the corresponding parameter's setting. In this situation, and depending on which parameter the user changed, a warning message similar to the following appears on the Serial Interface.

```
*****  
* Clearance Mode is configured for Multiplexed operation. *  
* Announce High Load changing to match Announce Wide Load. *  
*****
```

b Return to step 3.

18 To change the current **winter-cycle setting:**

The Equipment Settings menu shows whether the winter-cycle feature is enabled (YES) or disabled (NO). To avoid errant heat readings caused by moisture on the pyrometer lenses, the scanners have heaters built into them. The heaters are made active for varying periods of time, depending on an ambient temperature of 80°F (26.7°C) or less.

The table below lists the heater activation times for both normal and winter-cycle operation, grouped by ambient temperature.

Temperature Range in degrees Fahrenheit		Out of every ten seconds, the number of seconds the scanner heaters are active	
Low	High	Winter Cycle Disabled	Winter Cycle Enabled
--	16	4	8
17	35	3	7
36	51	2	2
52	80	1	1
80	--	Off	Off

The normal heater activation times aren't suitable for extremely cold climates, so the winter-cycle feature compensates for this. When this feature is disabled, the heater controls function normally. When enabled, the system increases the normal running time for the scanner heaters. The winter-cycle feature doesn't affect all the temperature ranges that the scanner heaters will activate on. It affects just the ones that are considered extremely cold.

- a Select **Winter Cycle** from the Equipment Settings menu.

The winter-cycle setting toggles between enabled (YES) and disabled (NO). The Winter Cycle option on the Equipment Settings menu changes. The Equipment Settings menu reappears.

- b Return to step 3.

19 To change the current **transducer-gain** setting:

The Equipment Settings menu shows whether the transducer-gain setting is normal or high. Regardless of the setting, the SmartScanNG² system starts every train with the transducer input comparator set to high mode. Then, if the train is traveling 20 mph (32 kph) or more and if the transducer gain was set to normal mode, the transducer input comparator switches to normal mode. This means that it is rarely necessary to set this option to high.

When the comparator is in high mode, the comparator converts lower voltage pulses from the transducer into output pulses. This causes the system to be more sensitive to transducer output. When the comparator is in normal mode, the comparator has a better chance of filtering transducer pulses not caused by a wheel.

- a Select **Transducer Gain** from the Equipment Settings menu.

The transducer-gain setting toggles between **normal** and **high**. The Transducer Gain option on the Equipment Settings menu changes. The Equipment Settings menu reappears.

- b Return to step 3.

20 To change the current **resistor-test** setting:

The Equipment Settings menu shows whether the resistor-test setting is enabled or disabled.

After a train clears a site, the system does an integrity test (when enabled) to verify that the scanners are operational and that the system can read alarm-level heat. This test consists of reading the temperature of power resistors mounted to the back of the scanner shutters after the shutters close. The recorded temperature of the shutter resistors is compared against expected values, which are calculated using a combination of the amount of time the shutters were open and the system battery voltage.

When the resistor integrity test is enabled, a system algorithm determines the minimum acceptable resistor temperature values for a given train. When disabled, the resistor integrity test is not performed.

The minimum required resistor temperatures for a given train are determined by the train's duration at the site and the resistor temperature baseline profile. This profile was established 20 minutes after the user calibrates the scanners with the autocalibration function. Twenty minutes is the cooling period required to allow the resistors to return to ambient temperature after autocalibration.

```
      .
      .
      .
[E] - Transducer Gain ..... Normal
[F] - Resistor Test ..... Enabled
[G] - Gate Distance ..... 24.0 in
      .
      .
      .
```

a Select **Resistor Test** from the Equipment Settings menu.

The resistor-test setting toggles from enabled to disabled.

b Return to step **3**.

21 To change the current value for **gate distance** (aka gate width):

The Equipment Settings menu shows the number of inches between the centers of the gating transducers.

```
      .
      .
      .
[E] - Transducer Gain ..... Normal
[F] - Resistor Test ..... Enabled
[G] - Gate Distance ..... 24.0 in
      .
      .
      .
```

- a Select **Gate Distance** from the Equipment Settings menu.

This prompt appears.

```
Gate Distance equipment setting (default = 24.0 inches)
Enter a value from 18.0 to 48.0:
```

The gate distance is in **nn.n** format. If the new value has less than three digits, type leading zeros, trailing zeros, or both. Thus, for 2, type **020**. The system inserts the decimal point for you. The gate distance (it is usually 24.0) can be recorded in 1/10-inch increments to reflect the actual transducer spacing. Accurate gating-transducer spacing results in accurate speed calculations.

- b Type the three-digit number.

The Gate Distance option on the Equipment Settings menu changes. The Equipment Settings menu reappears.

- c Return to step 3.

22 To change the **Dragger Debounce Time**:

- a Select **Dragger Debounce Time** from the Equipment Settings menu.

This prompt appears.

```
Dragger Debounce Time equipment setting (default = 200 ms)
Enter a value between 0 and 999:
```

If the new value has less than three digits, type leading zeros to make it three digits long or press [Enter] after typing one or two digits.

- b Return to step 3.

23 To change the Pre Train Dragger Distance:

- a Select **Pre Train Dragger Dist** from the Equipment Settings menu.

This prompt appears.

```
Pre Train Dragger Dist equipment setting (default = 0 ft)
Enter a value from 0 to 15:
```

If the new value has less than three digits, type leading zeros to make it three digits long or press [Enter] after typing one or two digits.

- b Return to step 3.

24 To change the Pre Train High/Wide Distance:

- a Select **Pre Train High/Wide Dist** from the Equipment Settings menu.

This prompt appears.

```
Pre Train High/Wide Dist equipment setting (default = 0 ft)
Enter a value from 0 to 15:
```

If the new value has less than three digits, type leading zeros to make it three digits long or press [Enter] after typing one or two digits.

b Return to step 3.

25 To **Presence Timeout Period** defines the period of time that Presence must be inactive before a train is finalized and stored. To change the Presence Timeout Period:

a Select **Presence Timeout Period** from the Equipment Settings (Advanced) menu.

This prompt appears.

```
Presence Timeout Period equipment setting (default = 10 sec)
Enter a value from 5 to 30:
```

b Return to Equipment Settings (Advanced).

26 The **System Voltage** parameter should be set to match the voltage of the battery subsystem currently powering your SmartScanNG² (either 24V or 12V). This setting determines the battery levels used to flag Low Battery and Dead Battery conditions. To change this setting:

a Select System Voltage o toggle between 24V and 12V settings.

b Return to Equipment Settings (Advanced).

27 To view the **Transducer / Scanner Offset Menu**:

Select **Transducer / Scanner Offset Menu** from the Equipment Settings (Advanced) menu.

```
Equipment Settings (Advanced)
-----
[A] - Carside Slope ..... No
[B] - Clearance Type ..... Trip Wire
[C] - Clearance Mode ..... Multiplexed
[D] - Winter Cycle ..... Disabled
[E] - Transducer Gain ..... Normal
[F] - Resistor Test ..... Enabled
[G] - Gate Distance ..... 24.0 in
[H] - Dragger Debounce Time ..... 10 ms
[I] - Pre Train Dragger Dist ..... 6 ft
[J] - Pre Train High/Wide Dist .... 0 ft
[K] - Presence Timeout Period ... 10 sec
[L] - System Voltage ..... 12v
[M] - Sunshot Menu
[N] - Transducer / Scanner Offset Menu
[P] - Carrier Detect Active State .. Low
[X] - Exit
```

28 To change the **Transducer / Scanner Offset Menu** settings:

```
Transducer / Scanner Offset Menu
-----
[A] - Transducer Type ..... Magnetic
```

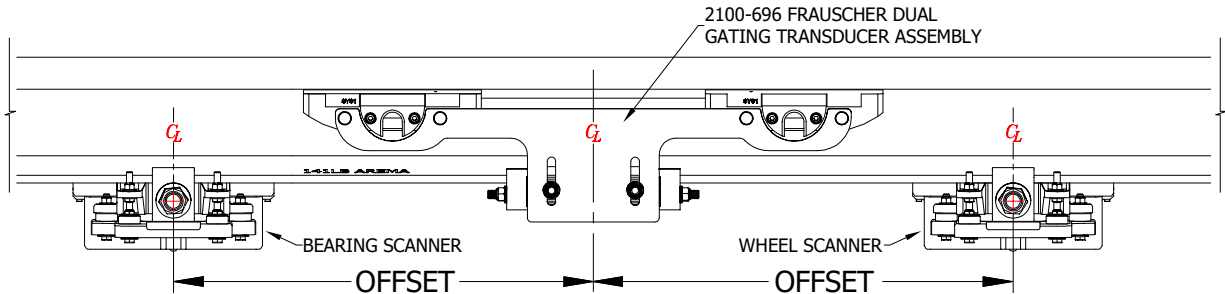
When Magnetic transducers are selected as the Transducer Type, the Transducer / Scanner Offset Menu appears as shown above. When Frauscher transducers are selected, the menu appears as shown below.

```

Transducer / Scanner Offset Menu
-----
[A] - Transducer Type ..... Frauscher
[B] - Rail Size ..... 136 (67.46)
[C] - East Rail Scanner Offset ..... 22 inches (T02)
[D] - West Rail Scanner Offset ..... 23 inches (T02)
[E] - East Wheel Scanner Offset ..... 24 inches (T01)
[F] - West Wheel Scanner Offset ..... 23 inches (T01)
[X] - Exit
    
```

a Select Transducer Type option to change the setting (toggles from Magnetic to Frauscher).

NOTICE!
 When using Frauscher transducers, the settings for rail size and scanner offset **MUST** be entered in order for the system firmware to accurately calculate the “Virtual Gate” of each scanner. As depicted below, The scanner offset is measured from the center of the transducer bracket to the center of the scanner mounting bracket.



b To change the rail size, select the menu option. A prompt like this appears:

```

Select a Rail Size:
  lbs/yd (kg/m)
[A] - 100 (49.62)
[B] - 115 (57.05)
[C] - 122 (60.52)
[D] - 127 (63.00)
[E] - 132 (65.48)
[F] - 136 (67.46)
[G] - 141 (69.94)
    
```

Select the appropriate setting for your site.

c To set the scanner offset value for each scanner, select the menu option. A prompt like this appears.

```

East Rail Scanner Offset transducer setting (default = 22 inches)
Enter an OFFSET value from 0 to 100 inches:
    
```

Enter the appropriate offset setting for each scanner to the nearest inch.

Next, you will be prompted to select scanner orientation (this information is also necessary for “Virtual Gate” calculations).

```
Is the scanner closer to TO1 or TO2?  
[1] - TO1  
[2] - TO2
```

Enter the appropriate selection.

d Return to step 3.

29 To change the Carrier Detect Active State:

The detector can be configured for an active low or active high Carrier Detect signal (the default is Low).

Select the option to toggle between Low and High.

```
Equipment Settings (Advanced)  
-----  
[A] - Carside Slope ..... No  
[B] - Clearance Type ..... Trip Wire  
[C] - Clearance Mode ..... Multiplexed  
[D] - Winter Cycle ..... Disabled  
[E] - Transducer Gain ..... Normal  
[F] - Resistor Test ..... Enabled  
[G] - Gate Distance ..... 24.0 in  
[H] - Dragger Debounce Time ..... 10 ms  
[I] - Pre Train Dragger Dist ..... 6 ft  
[J] - Pre Train High/Wide Dist .... 0 ft  
[K] - Presence Timeout Period ... 10 sec  
[L] - System Voltage ..... 12v  
[M] - Sunshot Menu  
[N] - Transducer / Scanner Offset Menu  
[P] - Carrier Detect Active State .. Low  
[X] - Exit
```

4.2.7 Messages

To set or change any of the message parameters:

- 1 Be sure that the Setup menu is displayed.

The Setup menu looks like this.

```
Setup Menu
-----
[A] - Date and Time
[B] - MP/KP
[C] - Track Designation ..... North
[D] - Track Direction ..... N/S
[E] - Alarm Settings
[F] - Equipment Settings
[G] - Message Settings
[H] - AEI Settings
[I] - Units Of Measure Settings
[J] - Load Default Setup Parameters
[K] - COM Port Settings
[L] - Network Settings
[X] - Exit
```

- 2 Select the Messages Settings menu.

A menu and prompt like this appear. The options on the Messages menu are used to affect the phrases broadcast to a passing train or are used to modify the parameters associated with the rebroadcast function.

```
Message Settings
-----
[A] - Axles ..... Yes
[B] - Speed ..... No
[C] - Temperature ..... Yes
[D] - Length ..... No
[E] - Slow ..... Yes
[F] - Power Off ..... Yes
[G] - Repeat No Defects ..... Yes
[H] - Cars Count ..... No
[I] - Customer Name ..... Yes
[J] - Arrival Message ..... Yes
[K] - Lft/Rt Alarm Ref ..... No
[L] - Car ID With Alarm ..... No
[M] - Primary Broadcast Language ... French_Louise
[N] - Secondary Broadcast Language . None
[O] - Advanced
[X] - Exit
```

Enabling one or more of these options generates the ancillary messages: A (axle count), B (train speed), C (ambient temperature), D (train length), E (slow train), F (power off), and H (number of cars). The other options of the Messages menu aren't used to generate ancillary messages.

3 To leave the Messages menu and return to the Setup menu:

- a Press **[Esc]** or type **X**.
The Setup menu reappears.
- b Skip the remaining steps.

4 To change the **announce-axles** setting:

The Messages menu shows whether the total axle count is to be part of (YES) or not part of (NO) post-train announcements. When the Highrange Transducer Miscounts alarm or Very Slow Train alarm occurs, the system won't announce axle count, even when this option is enabled.

```
Messages Settings
-----
[A] - Axles ..... YES
[B] - Speed ..... NO
[C] - Temperature ..... YES
      .
      .
      .
```

- a Select **Axles** from the Messages menu.
The announce-axles setting toggles between announce (YES) or not announce (NO). The Announce Axles option on the Messages menu changes. The Messages menu reappears.
- b Return to step 3.

5 To change the **announce-speed** setting:

The Messages menu shows whether the exit speed of the train is to be part of (YES) or not part of (NO) post-train announcements.

```
Messages Settings
-----
[A] - Axles ..... YES
[B] - Speed ..... NO
[C] - Temperature ..... YES
      .
      .
      .
```

- a Select **Speed** from the Messages menu.
The announce-speed setting toggles between announce (YES) or not announce (NO). The Announce Speed option on the Messages menu changes. The Messages menu reappears.
- b Return to step 3.

6 To change the **announce-temperature** setting:

The Messages menu shows whether the ambient temperature (taken at the site by the shielded temperature probe as the train leaves the site) is to be part of (YES) or not part of (NO) post-train announcements.

Messages Settings	

[A] - Axles	YES
[B] - Speed	NO
[C] - Temperature	YES
[D] - Length	NO
	⋮

a Select **Temperature** from the Messages menu.

The announce temperature setting toggles between announce (YES) or not announce (NO). The Announce Temperature option on the Messages menu changes. The Messages menu reappears.

b Return to step 3.

7 To change the **announce-train-length** setting:

The Messages menu shows whether the train length is to be part of (YES) or not part of (NO) post-train announcements. When the Highrange Transducer Miscounts alarm or Very Slow Train alarm occurs, the system won't announce the length of train, even when this option is enabled.

Messages Settings	

[A] - Axles	YES
[B] - Speed	NO
[C] - Temperature	YES
[D] - Length	NO
[E] - Slow	YES
	⋮

a Select **Length** from the Messages menu.

The announce-train-length setting toggles between announce (YES) or not announce (NO). The Announce Train Length option on the Messages menu changes. The Messages menu reappears.

b Return to step 3.

8 To change the **announce-slow-train** setting:

The Messages menu shows whether a message indicating a slow train (one going 7 mph or slower) is to be part of (YES) or not part of (NO) post-train announcements.

- a** Select **Slow** from the Messages menu.

The announce-slow-train setting toggles between announce (YES) or not announce (NO). The Announce Slow Train option on the Messages menu changes. The Messages menu reappears.

- b** Return to step 3.

9 To change the **announce-power-off** setting:

The Messages menu shows whether the power-off message is to be part of (YES) or not part of (NO) post-train announcements. The generation of this message depends on battery voltage, not AC power. It is generated whenever the voltage coming from the battery is less than 12.6 VDC. AC power need never have been off to cause this to happen. However, most times, it does indicate that AC power has been off, causing the battery to be drained.

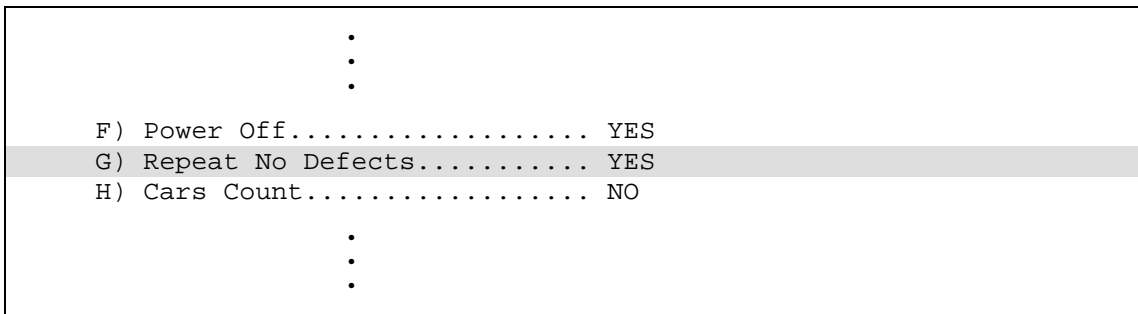
- a** Select **Power Off** from the Messages menu.

The announce-power-off setting toggles between announce (YES) or not announce (NO). The Announce Power Off option on the Messages menu changes. The Messages menu reappears.

- b** Return to step 3.

10 To change the **repeat-no-defect-message** setting:

The Messages menu shows whether the no-defect message is to be repeated (YES) or not repeated (NO).



- a** Select **Repeat No Defects** from the Messages menu.

The repeat-no-defect-message setting toggles between enabled (YES) and disabled (NO). The Repeat No Defects option on the Messages menu changes. The Messages menu reappears.

- b** Return to step 3.

11 To change the **announce-number-of-cars** setting:

The Messages menu shows whether the number of cars is to be part of (YES) or not part of (NO) post-train announcements.

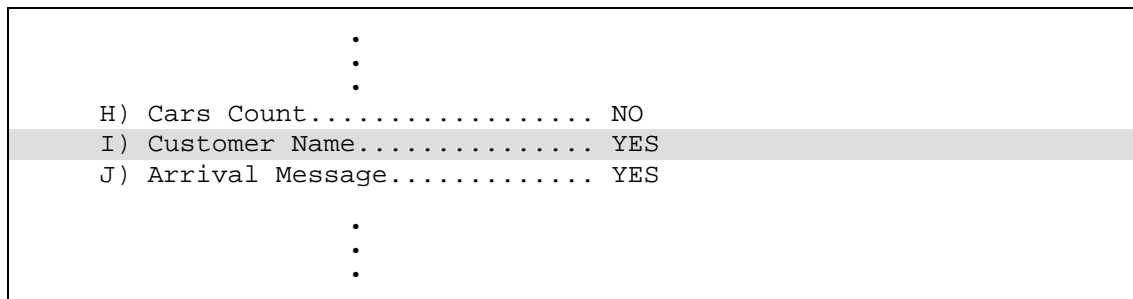
- a** Select **Cars Count** from the Messages menu.

The announce-number-of-cars setting toggles between announce (YES) or not announce (NO). The Announce Number of Cars option on the Messages menu changes. The Messages menu reappears.

- b** Return to step 3.

12 To change the **announce-customer-name** setting:

The Messages menu shows whether the customer's railroad name is to be part of (YES) or not part of (NO) of all announcements.



- a** Select **Customer Name** from the Messages menu.

The announce-customer-name setting toggles between announce (YES) or not announce (NO). The Announce Customer Name option on the Messages menu changes. The Messages menu reappears.

- b** Return to step 3.

13 To change the **announce-arrival-message** setting:

The Messages menu shows whether an arrival message announces (YES) or doesn't announce (NO) train arrival at the site.

- a** Select **Arrival Message** from the Messages menu.

The announce-arrival-message setting toggles between announce (YES) or not announce (NO). The Announce Train Arrival option on the Messages menu changes. The Messages menu reappears.

- b** Return to step 3.

14 To change the **left-right-alarm-reference** setting:

The Messages menu shows whether the alarm reference is announced as left or right (YES) or as north, south, east, or west (NO).

- a** Select **Lft/Rt Alarm Ref** from the Messages menu.

The left-right-alarm-reference setting toggles between YES and NO. The Announce Left-Right Alarm Reference option on the Messages menu changes. The Messages menu reappears.

- b** Return to step 3.

15 To change the **announce-car-identification** setting:

The Messages menu shows whether car-identification information is to be announced (YES) or not announced (NO). When this option is set to YES and an Exception Alarm is found on a car, the car-identification information is included in the post-train announcement for the train having the Exception Alarm. This, of course, will only happen if the AEI option on the Equipment Settings menu is enabled (YES) and the AEI subsystem is functioning properly during train passage.

```
      .  
      .  
      .  
[K] - Lft/Rt Alarm Ref ..... No  
[L] - Car ID With Alarm ..... No  
[M] - Primary Broadcast Language ... French_Louise  
[N] - Secondary Broadcast Language . None  
[O] - Advanced  
[X] - Exit
```

- a** Select **Car ID With Alarm** from the Messages menu.

The announce-car-identification setting toggles between enabled (YES) and disabled (NO). The Announce Car Identification option on the Messages menu changes. The Messages menu reappears.

- b** Return to step 3.

16 To change the Primary Broadcast Language:

The Primary Language **option** on the Messages menu shows whether the **primary-language** (that is, the one that will be spoken first) setting is English, Spanish, or French. For some systems, no matter what you select will result in English being spoken. In other words, all announcements will be in English.

```
      .  
      .  
      .  
[M] - Primary Broadcast Language ... French_Louise  
[N] - Secondary Broadcast Language . None  
[O] - Advanced  
[X] - Exit
```

- a** From the Messages menu, select Primary Language.

This prompt appears.

```
Select a language:  
[A] - French_Louise  
[B] - English_Ryan  
[C] - None
```

- b** Type the character that corresponds to the language you want to be spoken first or press **[Esc]**.

If you typed one of the three characters A, B, or C, or pressed **[Esc]**, the Messages menu reappears. If you selected a different language than the one that was previously displayed, the **Primary Language option** on the Messages menu changes to the one you just selected.

If you pressed something other than **[A]**, **[B]**, **[C]**, or **[Esc]**, the message below appears, followed by the above prompt. If this happens, retype the digit that corresponds to the language you want.

```
Invalid option selected.
```

- c** To leave the Messages menu and return to the Setup menu, press **[Esc]**.

17 To change the **secondary-language** setting:

The Secondary Language **option** on the Messages menu shows whether the **secondary language** (that is, the one that will be spoken second) setting is English, Spanish, or French. For some systems, no matter what you select will result in English being spoken. In other words, all announcements will be in English.

```
      .
      .
      .
[M] - Primary Broadcast Language ... French_Louise
[N] - Secondary Broadcast Language . None
[O] - Advanced
[X] - Exit
```

- a** From the Messages menu, select Secondary Language.

This prompt appears.

```
Select a language:
[A] - French_Louise
[B] - English_Ryan
[C] - None
```

- b** Type the character that corresponds to the language you want to be spoken second or press **[Esc]**.

If you typed one of the characters A, B, or C or pressed **[Esc]**, the Messages menu reappears. If you selected a different language than the one that was previously displayed, the **Secondary Language option** on the Messages menu changes to the one you just chose.

If you pressed something other than **[A]**, **[B]**, **[C]**, or **[Esc]**, the message below appears, followed by the above prompt. If this happens, retype the digit that corresponds to the language you want.

```
Invalid option selected.
```

- c** To leave the Messages menu and return to the Setup menu, press **[Esc]**.

18 To change other message settings, select Messages Settings (Advanced):

This submenu appears.

```
Message Settings (Advanced)
-----
[A] - Announce Hot Wheels ..... Yes
[B] - Announce Differential ..... Yes
[C] - Announce High Load ..... Yes
[D] - Announce Wide Load ..... Yes
[E] - Request EOT Timer ..... 10 min
[F] - Rebroadcast DTMF Code ..... 123
[G] - Num EOT Repeats ..... 0
[H] - EOT Repeat Delay ..... 15 sec
[X] - Exit
```

19 To change the **Announce “XX”** setting:

The Messages Settings (Advanced) menu shows whether Hot Wheel, Differential, High Load, or Wide Load alarms are to be announced and/or for which train direction these alarms will be announced. There are four possible values:

- **“Yes”** High Load and Wide Load alarm announcements are made for all detected High Load and Wide Load alarms
- **“No”** High Load and Wide Load alarm announcements are suppressed for all detected High Load and Wide Load alarms. For all High Load and Wide Load alarms detected, the word “suppressed” will be included in the alarm description printed on the Train Detail report.
- **“N/E Only”** High Load and Wide Load alarm announcements will be made for trains traveling North or East but will be suppressed for trains traveling South or West. The word “suppressed” will be included in any High Load or Wide Load alarm description printed on Train Detail reports for trains traveling South or West.
- **“S/W Only”** High Load and Wide Load alarm announcements will be made for trains traveling South or West but will be suppressed for trains traveling North or East. The word “suppressed” will be included in any High Load or Wide Load alarm description printed on Train Detail reports for trains traveling North or East.

- a** Select Announce “XX” from the Messages Settings (Advanced) menu). For example, for **Announce Wide Load**, a prompt like this will appear.

```
Select Wide Load Announcement Mode:
[1] - Yes
[2] - N/E Only
[3] - S/W Only
[4] - No
```

Choose the desired value: Yes, N/E Only, S/W Only, or No for each announcement option. The Messages Settings (Advanced) menu reappears.

- b** Return to Messages Settings (Advanced).

20 To change the **repeat-EOT-message-timeout-period** setting:

The Messages menu shows a value for the repeat-timeout-period setting. If a nonzero value is shown, the value is the number of minutes that you have to request a repeat of the last end-of-train (EOT) message. If zero is shown, the last EOT message is always available for rebroadcast. The train crew makes the actual request for rebroadcast. The repeated message has the word "rebroadcast" at the beginning and end of the message.

- a** Select **Request EOT Timer** from the Messages menu.

This prompt appears.

```
Request EOT Timer message setting (default = 10 min)
Enter a value from 0 to 240:
```

If the new limit has less than three digits, type leading zeros.

- b** Type the three-digit value.

If you type 000, the last EOT message is always available for rebroadcast. If you type 240, the train crew has four hours (that is, 240 minutes) to request a repeat of the last EOT message.

- c** Return to step 3.

21 To change the **rebroadcast-DTMF-code** setting:

The Messages menu shows the rebroadcast-DTMF-code setting. The stored DTMF code is the touchtone digits that trigger a rebroadcast. Up to three digits may be entered into this setup parameter. The SmartScanNG² system monitors radio traffic. When it receives the proper DTMF code, it will rebroadcast the last end-of-train message, provided the request EOT timer hasn't expired.

```
      :
      :
      :
[F] - Rebroad DTMF Code ..... 123
[G] - Num EOT Repeats ..... 1
[H] - EOT Repeat Delay ..... 15 sec
[X] - Exit
```

- a** Select **Rebroad DTMF Code** from the Messages menu.

This prompt appears.

```
Rebroad DTMF Code message setting (default = 123)
Enter a DTMF code (Esc to clear):
```

- b** Type the new DTMF code or press **[Esc]**.

- c** If you typed one or two digits, press **[Enter]**.

The Rebroadcast DTMF Code option on the Messages menu changes, and the Messages menu reappears. If you typed only nondigits and then pressed **[Enter]**, the rebroadcast function would be turned off.

- d** Return to step 3.

22 To change the **number-of-repeats** setting:

The Messages menu shows a value for how many times the EOT announcement should be repeated. Valid values range from 0 through 5. When set to zero, the EOT announcement is spoken once with no repeats. When set to five, the EOT announcement is spoken once with five repeats for a total number of six times.

```
      .  
      .  
      .  
[F] - Rebroad DTMF Code ..... 123  
[G] - Num EOT Repeats ..... 1  
[H] - EOT Repeat Delay ..... 15 sec  
[X] - Exit
```

- a** Select **Num EOT Annc Repeats** from the Messages menu.

This prompt appears.

```
Num EOT Repeats message setting (default = 2)  
Enter a value between 0 and 5:
```

- b** To not change the value, press **[Esc]** and return to step **3**.
- c** Type a digit less than 6.

All typed nondigits are ignored.

If you type a value greater than 5, this error message and prompt appear.

```
Invalid value specified
```

If you type an acceptable value, the Number of Repeats option on the Messages menu changes, and the Messages menu reappears.

- d** If you get an error message, return to step **b**.
- e** If you don't get an error message, return to step **3**.

23 To change the **time-between-repeats** setting:

The Messages menu shows a value for how many seconds should elapse between EOT announcement repeats. Valid values range from 0 through 360.

```
      .  
      .  
      .  
[F] - Rebroad DTMF Code ..... 123  
[G] - Num EOT Repeats ..... 1  
[H] - EOT Repeat Delay ..... 15 sec  
[X] - Exit
```

- a** Select **EOT Repeat Delay** from the Messages menu.

This prompt appears.

```
EOT Repeat Delay message setting (default = 15 sec)  
Enter a value from 0 to 360:
```


If the new value has less than three digits, type leading zeros to make it three digits long or press **[Enter]** after typing one or two digits.

- b To not change the value, press **[Esc]** and return to step 3.

4.2.8 AEI Reader Parameters

The AEI reader parameters directly affect how the AEI readers operate to acquire tags while a train is passing the site.

To set or change any of the AEI reader parameters:

- 1 Be sure that the Setup menu is displayed.

The Setup menu looks like this.

```
      .
      .
      .
[H] - AEI Settings
[I] - Units Of Measure Settings
[J] - Load Default Setup Parameters
[K] - COM Port Settings
[L] - Network Settings
[X] - Exit
```

- 2 Select **AEI Settings** to access menu options.

```
AEI Settings
-----
[A] - ID Separation ..... 2 IDs
[B] - Consecutive Reads ..... 2 Reads
[C] - RF Frequency (MHz) ..... 915.000
[D] - RF Attenuation (dB) ..... 0
[E] - Multi-Track Tag Filter .. Disabled
[F] - AEI Reader Interface
[G] - Tag Reader Test
[H] - Antenna 0 Offset .. 0 inches (T01)
[I] - Antenna 1 Offset .. 0 inches (T01)
[X] - Exit
```

- **ID Separation** specifies the number of intervening tags that must be read and reported before a given tag is reported again. Valid values are 1, 2, 3, and 4. The default is 2.
- **Consecutive Reads** specifies the number of times that a tag must be read before it is considered a valid (reportable) tag. Valid values are 1, 2, 3, and 4. The default is 2.
- **MPRR Frequency** specifies the transceiver frequency of the MPRR reader.
- **MPRR Attenuation** sets the RF attenuation in 1 dB increments over a range of 10 dB from a maximum output of 2 W at 0-dB attenuation to a minimum of 200 mW output at 10-dB attenuation.

- The **Multi-Track Tag Filter**, when enabled, uses firmware algorithms to filter cross-track reads based on appended timestamps and tag data shared from adjacent readers.
- The **AEI Reader Interface** allows for direct communication with the AEI reader and is used primarily for diagnostic purposes.
- The Tag Reader Test allows the user to perform an on-sight functionality verification.
- The Antenna 0 Offset specifies the distance in inches Antenna 0's read zone is from the center of the scanning gate.
- The Antenna 1 Offset specifies the distance in inches Antenna 1's read zone is from the center of the scanning gate.

3 To change the **ID Separation** parameter:

Select the **ID Separation** option to toggle from 1 to 2, from 2 to 3, from 3 to 4, or from 4 to 1.

4 To change the **Consecutive Reads** parameter:

Select the **Consecutive Reads** option to toggle from 1 to 2, from 2 to 3, from 3 to 4, or from 4 to 1.

5 Select the **MPRR Frequency** setting to change the operating frequency.

This message appears.

```
Select a frequency:
[A] - 903.750 MHz
[B] - 911.500 MHz
[C] - 915.000 MHz
[D] - 918.500 MHz
[E] - 921.500 MHz
```

Enter frequency selection. The AEI Reader Parameters menu reappears.

6 Select **MPRR Attenuation** to attenuate the RF output signal.

This message appears.

```
MPRR Attenuation AEI setting (default = 0)
Enter a value between 0 and 10:
```

Enter a value "NN" (between 1 and 10), including leading zeros. This parameter sets the RF attenuation in 1 dB increments over a range of 10 dB from a maximum output of 2 W at 0-dB attenuation to a minimum of 200 mW output at 10-dB attenuation.

7 Select **Multi-Track Tag Filter** to toggle between **Enabled** and **Disable**.

When enabled, firmware algorithms are utilized to filter out cross-track reads.

- 8 To enter the **AEI reader interface**, select the option.

This message appears.

```
Entering AEI Reader Interface
<Type EXIT to quit>
```

- 9 To leave the AEI reader interface:

a Type **EXIT**

b Press **[Enter]**.

- 10 To initiate the **Tag Reader Test**, select the option.

This message appears.

```
The Tag Reader Test will allow you to wave a tag in front of the
reader and the detector will produce an audible beep and print out
the tag information.
```

```
The detector will simulate a track circuit signal and energize the
antennas.
Afterwards the log will show a Train Canceled event.
```

```
Are you sure you want to continue? (y/n)
```

During the Tag Reader Test, data from AEI tags passed through the RF field will be displayed beneath this prompt.

- 11 To set the Antenna Offset, select the option (Antenna 0 Offset or Antenna 1 Offset).

This message appears.

```
Antenna 0 gate offset setting (default = 0 inches)
```

```
*** The OFFSET is the distance from the center of the scanning gate to the
*** center of the AEI antenna read zone.
```

```
Enter an OFFSET value from 0 to 240 inches: 120
```

```
Is the Antenna closer to TO1 or TO2? (Current setting is TO1)
```

```
[1] - TO1
```

```
[2] - TO2
```

```
Setting value to 120.
```

```
Is the other antenna at the same offset? (Y/N)
```

```
Be sure to program in the offset of the other antenna.
```

Measure and enter the offset distance from the center of the scanning gate to the center of the antenna. If the measurement is other than zero, the following prompt will appear.

```
Is the Antenna closer to TO1 or TO2? (Current setting is TO1)
```

```
[1] - TO1
```

```
[2] - TO2
```

Enter the wheel sensor designator closest to the antenna (TO1 or TO2).

12 To leave the AEI Reader Parameters menu and return to the Setup menu, type **X**.

This prompt appears.

```
Initialize Reader now (Y/N)
```

13 To initialize the reader, type **Y**

The Setup menu reappears.

14 To not initialize the reader, type **N**

The Setup menu reappears.

4.2.9 Units of Measure

To change the Units of Measure **Settings**:

1 Be sure that the Setup menu is displayed.

The Setup Menu looks like this.

```
      .
      .
      .
[I] - Units Of Measure Settings
[J] - Load Default Setup Parameters
[K] - COM Port Settings
[L] - Network Settings
[X] - Exit
```

2 Select **Units of Measure**.

A prompt like this appears.

```
Units Of Measure Settings
-----
[A] - Location ..... Kilometerpost
[B] - Date Format ..... Metric
[C] - Speed ..... Metric
[D] - Temperature ..... Metric
[E] - Length ..... Metric
[X] - Exit
```

Shown above are the parameters currently defined in the system. It shows how the system will report the date, ambient temperature, speed, and length of train. However, these parameters have no effect on the announcement of messages.

Select the Location option to toggle the setting between “Kilometerpost” (Metric) and “Milepost” (English).

Date is reported in either **dd/mm/yy** (Metric) or **mm/dd/yy** (English) format. Select the Date Format option to toggle between what is shown and its other possibility.

Speed is reported in either miles per hour (**mph**) (English) or kilometers per hour (**kph**) (Metric). Select this option to toggle between what is shown and its other possibility.

Ambient temperature is reported in either degrees **Celsius** (C) (Metric) or degrees **Fahrenheit** (F) (English). Select this option to toggle between what is shown and its other possibility.

Length of train is reported in either **feet** (ft) (English) or **meters** (m) (Metric). Select this option to toggle between what is shown and its other possibility.

4.2.10 Load Default Setup Parameters

An option to load default setup parameters was included to assist installers in setting up a new system. When this menu item is selected, the parameters listed below are assigned the values listed below. A "yes" after a parameter means that it is "enabled." A "no" means that it is "disabled."

```

Southern Technologies Corporation
Next Generation Detector System
SYSTEM STATUS REPORT
=====
Date:28/09/23   Time:07:59       Battery: 11.8v       Ambient Temp.: +74F
-----
SICM Board Rev..... 1.2 or lower      MP/KP..... 1234.5
Track..... North      Track Dir..... N/S
AC Power..... On

Active IP Settings (DHCP Addressing)
-----
IP Address..... 10.14.22.115      IP Mask..... 255.255.255.0
Default Gateway..... 10.14.22.1   DNS Server..... 10.14.22.16

Software Version
-----
EX_01-05 2023-08-08

Speech Version
-----
0. EXP_EN_01
1. EXP_FR_01

Alarm Settings
-----
Absolute..... 150      Differential..... 255
Hot Wheel (N/E Bound)..... 500      Hot Wheel (S/W Bound)..... 500

Cold Rails..... 3      Cold Rail Temp..... 10
Cold Res Counter..... 3      Differential Enabled..... No
.
.
.

```

```

      .
      .
      .
Alarm Settings
-----
Absolute..... 150      Differential..... 255
Hot Wheel (N/E Bound)..... 500      Hot Wheel (S/W Bound)..... 500

Cold Rails..... 3      Cold Rail Temp..... 10
Cold Res Counter..... 3      Differential Enabled..... No

Alarm Settings (Advanced)
-----
Carside Slope..... 1.31      Carside Minimum..... 90
Res Test: Minimum Rail Avg..... 25      Res Test: Minimum Wheel Avg..... 28
Bearing DSR Capture Temp..... 72      Wheel DSR Capture Temp..... 361
Max Alarms..... 8

Equipment Settings
-----
Dragger..... Yes      Hot Wheel..... No
Hot Bearing..... Yes      High Load..... No
Wide Load..... No      AEI..... No
Presence Hardware..... Yes      Advance Transducers..... No
AC Power Off Monitor..... Yes

Equipment Settings (Advanced)
-----
Carside Slope..... Yes      Winter Cycle..... Disabled
Gate Distance..... 24.0 in      Dragger Debounce Time..... 200 ms
Pre Train Dragger Dist..... 0 ft      Pre Train High/Wide Dist..... 0 ft
Presence Timeout Period..... 10 sec      System Voltage..... 12 V
Resistor Test..... Enabled      Clearance Mode..... Multiplexed
Clearance Type..... Light Beam      Transducer Gain..... Normal
Transducer Type..... Magnetic      Carrier Detect Active State..... Low

Message Settings
-----
Arrival Message..... Yes      Customer Name..... Yes
Axles..... Yes      Speed..... No
Temperature..... Yes      Slow..... Yes
Power Off..... Yes      Repeat No Defects..... Yes
Length..... No      Cars Count..... No
Lft/Rt Alarm Ref..... No      Car ID With Alarm..... No
PrimaryLanguage..... French_Louise      SecondaryLanguage..... None

Message Settings (Advanced)
-----
Announce Hot Wheels..... Yes      Announce Differential..... Yes
Announce High Load..... Yes      Announce Wide Load..... Yes
Request EOT Timer..... 10 min      Rebroadcast DTMF Code..... 123
Num EOT Repeats..... 1      EOT Repeat Delay..... 15 sec

Network Settings
-----
Use Static Address..... No      Static IP..... 192.168.1.101
Static Mask..... 255.255.255.0      Static Default Gateway..... 192.168.1.1
Static DNS Server..... 192.168.1.1      TELNET Port..... 23
FTP Port..... 21      HTTP Port..... 80
HTTPS Port..... 8080      Use Wifi..... No
Wifi Inactivity Timeout..... 10 min
      .
      .
      .

```

```

      .
      .
      .
COM Port Settings
-----
COM1 (Serial Interface)..... Baud 19200 None    COM2 (Not Used)..... Baud 19200 None
COM3 (Not Used)..... Baud 19200 None          COM4 (Not Used)..... Baud 19200 None
COM5 (AEI)..... Baud 19200 None              COM6 (FlashHost)..... Baud 57600 None
RS485 (Not Used)..... Baud 9600 None          Page Lines..... 30

AEI Settings
-----
Tag Reader Type..... None                    ID Separation..... 2
Consecutive Reads..... 2                    RF Frequency (MHz)..... 915.000
RF Attenuation (dB)..... 0                  Multi-Track Tag Filter..... Disabled
Antenna 0 Offset..... 0 (TO1)              Antenna 1 Offset..... 0 (TO1)

Units Of Measure Settings
-----
Location..... Kilometerpost                 Date Format..... Metric
Speed..... Metric                           Temperature..... Metric
Length..... Metric

Scanner Calibration Date / Digital Potentiometer Settings
-----
Rail 1 Type III..... 16/05/2022 10:22 / 41    Rail 2 Type III..... 28/04/2022 08:07 / 40
Wheel 1 ..... SCANNER DISABLED              Wheel 2 ..... SCANNER DISABLED

Resistor Baseline
-----
Rail 1 Type III..... Valid                  Rail 2 Type III..... Valid
Wheel 1 ..... SCANNER DISABLED              Wheel 2 ..... SCANNER DISABLED

```

To load the default setup parameters:

- 1 Be sure that the Setup menu is displayed.

The Setup menu looks like this.

```

      .
      .
      .
[J] - Load Default Setup Parameters
[K] - COM Port Settings
[L] - Network Settings
[X] - Exit

```

- 2 Select **Load Default Setup Parameters**.

This prompt appears.

```

*****
* Warning! You are about to load default setup parameters! *
*****

Are you sure? (y/n)

```

- 3 To not load default setup parameters:

Type **N**

The Setup Menu will be redisplayed.

4 To load default setup parameters:

Type **Y**

This message appears, followed by the Setup menu.

```

Are you sure? (y/n)
This will save the settings.
Please type 'setup' to save settings.
Press escape to abandon changes.
>

```

Loading takes a few seconds. When finished, the Setup menu reappears.

4.2.11 COM1, COM2, COM3, COM4, & COM6

To change the parameters for serial port **COMx**:

- 1 Be sure that the Setup menu is displayed.

The Setup menu looks like this.

```

      .
      .
      .
[I] - Units Of Measure Settings
[J] - Load Default Setup Parameters
[K] - COM Port Settings
[L] - Network Settings
[X] - Exit

```

- 2 Select the COM Port Settings submenu to view options.

```

COM Port Settings
-----
[A] - COM1 (Serial Interface) 19200 None
[B] - COM2 (Not Used)..... 19200 None
[C] - COM4 (Not Used)..... 19200 None
[D] - COM6 (FlashHost)..... 57600 None
[E] - RS485 (Not Used)..... 9600 None
[F] - Page Lines ..... 30
[X] - Exit

```

Select the **COMx** option to modify current settings.

```

Uart Settings
-----
[A] - Baud Rate ..... 115200
[B] - Flow Control ..... None
[X] - Exit

```


- 3 To change the **Baud Rate**, select the option to incrementally step through the selection options. Available settings are: 150, 300, 600,1200, 2400, 4800, 9600, 19200, 38400, 57600, and 115200.
- 4 To change the Flow Control setting, select the option to incrementally step through available options of None, HW (hardware), or SW (software).
- 5 If you are done changing the parameters for **COMx**, type **X**.
The Setup menu reappears.

4.2.12 Network Settings

To change the **Network Settings**:

- 1 Be sure that the Setup menu is displayed.

The Setup Menu looks like this.

```

      .
      .
      .
[I] - Units Of Measure Settings
[J] - Load Default Setup Parameters
[K] - COM Port Settings
[L] - Network Settings
[X] - Exit

```

- 2 Select the **Network Settings** menu.

A menu and prompt like this appear. To access/change any of the menu options, type the letter that corresponds to the desired setting.

```

Network Settings
-----
[A] - IP Settings
[B] - Use Wifi ..... No
[C] - Wifi Inactivity Timeout ..... 10 min
[D] - HTTP Port ..... 80
[E] - HTTPS Port ..... 8080
[F] - FTP Port ..... 21
[G] - TELNET Port ..... 23
[H] - Load Default Network Settings
[I] - Ping
[J] - Display IP Addresses
[X] - Exit

```

3 Select the **IP Settings** menu to view/change settings. The menu looks like this.

```
IP Settings
-----
[A] - Use Static Address ..... No
[B] - Static IP ..... 192.168.1.101
[C] - Static Mask ..... 255.255.255.0
[D] - Static Default Gateway ..... 192.168.1.1
[E] - Static DNS Server ..... 192.168.1.1
[X] - Exit
```

Use Static Address This parameter specifies whether the SmartScanNG² uses its configured Static IP address for external Ethernet communications (Yes) or retrieves its external IP address from a DHCP server (No).

Static IP This parameter specifies the IP address to use to connect to the SmartScanNG² when the Use Static Address option is set to Yes.

Static Mask This parameter specifies the subnet mask to use when the Use Static Address parameter is set to Yes.

Default Gateway This option specifies the address of the remote server/router through which communications with the SmartScanNG² will be routed.

DNS Server This parameter specifies the Domain Name Server that the SmartScanNG² can use for lookup services.

- 4 **HTTP Port** This parameter is used to specify the TCP port number for the SmartScanNG²'s HTTP interface. This is the interface/port through which the SmartScanNG² serves its Web page interface.
- 5 **HTTPS Port** This parameter is used to specify the port number for the SmartScanNG²'s secure HTTP interface.
- 6 **FTP Port** This parameter is used to specify the TCP port number that the SmartScanNG² uses for communication via the FTP protocol.
- 7 **TELNET Port** This parameter specifies the TCP port number that the SmartScanNG² uses for communication via the Telnet protocol. The SmartScanNG²'s serial-based menus are available through this port and protocol.

- 8 **Load Default Network Settings.** To set the SmartScanNG²'s network parameters to their default configuration, select the Load Default Network Settings option from the Network Settings menu.

```
Network Settings
-----
[A] - IP Settings
[B] - Use Wifi ..... No
[C] - Wifi Inactivity Timeout ..... 10 min
[D] - HTTP Port ..... 80
[E] - HTTPS Port ..... 8080
[F] - FTP Port ..... 21
[G] - TELNET Port ..... 23
[H] - Load Default Network Settings
[I] - Ping
[J] - Display IP Addresses
[X] - Exit
```

This option presents a warning message and requires a Y/N confirmation before changing the parameters. Answering 'N' abandons the changes. Answering 'Y' proceeds to the standard prompt requiring the "setup" password to save the changes.

```
*****
* Warning! You are about to load default network parameters! *
*****
Are you sure? (y/n)
```

```
SmartScanNG2 Default Network Settings
HTTP port 80
HTTPS port 8080
FTP port 21
TELNET port 23

External Ethernet Default Settings
Use static address Yes
Static IP 192.168.9.191
Static mask 255.255.255.0
Default gateway 192.168.9.1
DNS Server 192.168.9.1
```

- 9 Select the Ping option to ping an IP address.

A successful ping will appear like this:

```
Enter an IP to ping: 10.14.22.50
Pinging '10.14.22.50'... Success! (Response took 0 ticks.)
```

An unsuccessful ping will appear like this:

```
Enter an IP to ping: 10.14.22.27
Pinging '10.14.22.27'... Failed!
```

10 Select Display IP Addresses.

A message like this appears.

```
*****  
* Web Addresses *  
*****  
Wifi: http://www.wifi.stc:80 or http://192.168.1.4:80  
DHCP: http://10.14.22.115:80
```

4.3 System Functions Menu

To execute one or more system functions:

- 1 Be sure that the Main menu is displayed.

The Main menu looks like this.

```
      .  
      .  
      .  
[J] - Event Log  
[K] - System Functions Menu  
[L] - Replay Train  
[M] - Security Menu  
[X] - Exit
```

- 2 Select the System Functions menu.

A menu and prompt like this appear. To access any of the System Functions menu options, type the letter that corresponds to the desired menu option.

```
System Functions Menu  
-----  
[A] - Radio Test  
[B] - Vocabulary Test  
[C] - Radio Inhibit  
[D] - Start Manual Train  
[E] - 1KHz Test Tone  
[F] - Auto-Calibration  
[G] - Reboot System  
[H] - Delete All Stored Train Data  
[I] - Clear Event Log  
[J] - Update Menu  
[K] - Maintenance Menu  
[L] - Volume Up (3)  
[M] - Volume Down (3)  
[N] - Resistor Baseline Data  
[O] - Radio Programming Menu  
[P] - Scanner Test  
[Q] - Calibrate Frauscher Transducers  
[R] - Virtual Gate Test  
[X] - Exi
```

If a train is at the site when the System Functions menu is generated, "**** **Train Is Present** ****" is displayed just above the menu header for the System Functions menu. During that time, if you select any item on the System Functions menu, you will be prompted with "**Train Is Present. Continue?**" You must type **Y** to continue. Note that most items on the Systems Functions menu should not be performed while a train is present at the site.

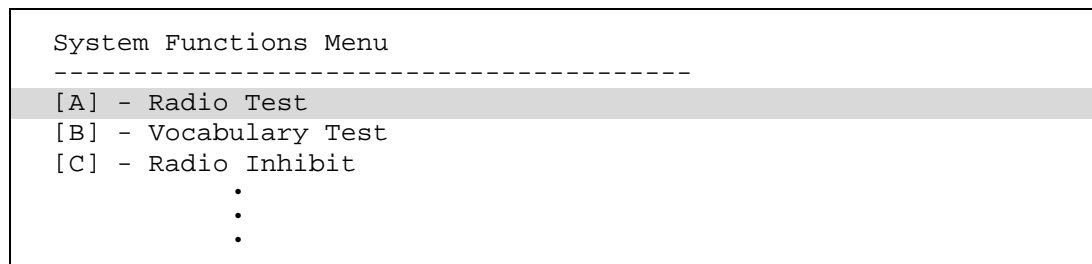
3 To leave the System Functions menu and return to the Main menu:

- a** Type **X**.
The Main menu reappears.
- b** Skip the remaining steps.

4 To execute the **radio test**:

The Radio Test option is used to broadcast a short message through the speaker and through the radio. Using this option lets you verify that the speaker and radio are working properly.

At single-track sites, the text of the message is "Testing, Detector at milepost, (*milepost number*), testing, one, two, three, four, five, four, three, two, one, testing." At double-track sites, the text of the message is "Testing, Detector at milepost, (*milepost number*), track (*track designation*), testing, one, two, three, four, five, four, three, two, one, testing."



a Select **Radio Test** from the System Functions menu.

If the system isn't currently making any other voice announcements, it begins the Radio Test announcement. After the announcement finishes, the System Functions menu reappears.

If the system is currently making a voice announcement, the firmware displays the message "System Is Currently Making Voice Announcements! Try Again Later" and redisplay the System Functions menu.

b While listening to the message, look at the PTT LED on the display panel.

The **PTT LED** should be lit.

If this LED isn't lit, the system's ability to send a message to the radio might be inhibited by the Radio Inhibit option on the System Functions menu. If the radio is inhibited, the results of this check are invalid.

c Return to step **3**.

5 To execute the **vocabulary test:**

The Vocabulary Test option is used to enunciate all stored speech phrases. First all words and phrases will be broadcast in English and then in French. This announcement is broadcast through the speaker, but not through the radio. Therefore, it isn't affected by the Radio Inhibit option being enabled.

When this option is selected, the following prompt will be displayed

```
The Vocabulary Test may take several minutes to complete.  
Are you sure? (y/n)
```

Press 'Y' in response to the above prompt to run the vocabulary test.

In English, the text of the message will be similar to "0, 1, 2, 3, 4, 5, 6, 7, 8, 9, A, And, Axle, Axles, B, <BEEP>, Beginning, Box, C, Car, D, Defect, Defects, Degrees, Detected, Detector, Dragging, E, East, Eighth, End, Equipment, F, Failure, Fifth, First, Fourth, From, G, H, Head, High, Hot, Hour, I, ID, In, Integrity, J, Journal, K, L, Left, Length, Load, M, Malfunction, Milepost, Miles, Minus, Minutes, Multiple, N, Near, Ninth, No, North, Number, O, Of, Off, On, Out, P, Per, Point, Power, Q, R, Rail, Rebroadcast, Resistor, Right, S, Scanner, Second, Seventh, Side, Sixth, Sliding, Slow, South, Speed, Stop, T, Temperature, Test, Testing, Third, To, Too, Total, Track, Train, U, V, W, West, Wheel, Wide, Working, X, Y, Your, Z, <TONE> <TONE>"

```
System Functions Menu  
-----  
[A] - Radio Test  
[B] - Vocabulary Test  
[C] - Radio Inhibit  
.  
:  
.
```

a Select **Vocabulary Test from the System Functions menu.**

If the system isn't currently making any other voice announcements, it begins the Vocabulary Test announcement. After the announcement finishes, the System Functions menu reappears.

If the system is currently making a voice announcement, the firmware displays the "System Is Currently Making Voice Announcements! Try Again Later" message, and the System Functions menu reappears.

b Return to step 3.

6 To execute the **radio inhibit**:

The Radio Inhibit option is used to prevent radio activation for three minutes. During this time, any announcements generated by the system are broadcast through the speaker but not through the radio. This feature may be overridden by recalling this submenu and then typing **N**.

```
System Functions Menu
-----
[A] - Radio Test
[B] - Vocabulary Test
[C] - Radio Inhibit
      .
      .
```

a Select **Radio Inhibit** from the System Functions menu.

This prompt appears.

```
PTT disabled for 3 minutes
```

b Select Re-enable radio PTT to disable Radio Inhibit.

```
System Functions Menu
-----
[A] - Radio Test
[B] - Vocabulary Test
[C] - Re-enable radio PTT
      .
      .
```

c Return to step **3**.

7 To initiate the **Start Manual Train** function:

In Manual Train Mode, the system opens all the shutters and simulates transducer pulses for about one minute. During this time, a person can check various aspects of the installed components. In this mode, the system runs the ramp function without generating heats. The train is marked as a test train. There won't be any voltage applied to the scanner inputs.

This is a timed test that should gate approximately 164 simulated axles. You can stop this test by selecting the Stop Manual Train option.

The data generated for this test train is stored in the Test Train directory, which contains data on the last test train only. The Last Test Train report gets its data from this directory.

```
System Functions Menu
-----
[A] - Radio Test
[B] - Vocabulary Test
[C] - Radio Inhibit
[D] - Start Manual Train
[E] - 1KHz Test Tone
      .
      .
      .
```

- a Select **Start Manual Train** from the System Functions menu.

This prompt appears.

```
Train Arrival
```

There will be an arrival message broadcast through the speaker only. During the test train, the TO1 & TO2 LEDs on the Display Panel will flash with each simulated axle.

After about a minute, this prompt appears, and the post-train announcements will be broadcast over the speaker.

```
Train Departure
```

- b Return to step 3.

8 To generate the 1KHz test tone:

The 1KHz Test Tone option is used to generate a continuous 1KHz tone for about 5 seconds. This test tone is broadcast through the speaker and through the radio.

- a Select **1KHz Test Tone** from the System Functions menu.

If the system isn't currently making any other voice announcements, it begins the tone.

If the system is currently making a voice announcement, the firmware displays the message "System Is Currently Making Voice Announcements! Try Again Later" and redisplay the System Functions menu.

- b While listening to the tone, look at the PTT LEDs on the display panel.

The **PTT LED** should be lit.

If this LED isn't lit, the system's ability to send a tone to the radio might be inhibited by the Radio Inhibit option on the System Functions menu. If the radio is inhibited, the results of this check are invalid.

- c Additional menu options are available **if the Board Rev is 2.00 or greater**. These options will allow the user to adjust the Transmit Audio digital potentiometer, which has replaced the physical potentiometer on the board. The 1KHz tone will play continuously until you exit the menu or no input is detected for 1 minute. During this time, you can adjust the audio level as described in the associated Technical Bulletin.

```
System Functions Menu
-----
[A] - Radio Test
[B] - Vocabulary Test
[C] - Timed Radio Inhibit
[D] - Start Manual Train
[E] - 1KHz Test Tone
[F] - Auto-Calibration
.
.
[X] - Exit
```

```
Transmit Audio Adjustment Menu
Digital pot: 11 out of 100
-----
[A] - Up
[B] - Down
[C] - Set digital pot to ____
[D] - Reset digital pot to previous (0)
[E] - Save and exit
[F] - Exit without saving
```

- d Return to step 3.

9 To start Auto-Calibration:

The SmartScanNG² system self-calibrates its pyrometer interface circuitry. You need only put a preheated calibrated heat source on a scanner and place the system in autocalibration mode by using the Auto-Calibration option. The system then scans all pyrometer inputs until the signal from the calibrated heat source is located. The necessary adjustments to the related interface circuitry are automatically made while the system monitors its own progress by analyzing changes in the heat signals. Once the procedure has been completed, autocalibration mode is disengaged, and the calibration results are displayed on your computer. For more details, see **Appendix E & F - Calibration of Type II/Type III Scanners**.

- a Place a preheated calibrated heat source on the scanner to be calibrated.
b Select **Auto-Calibration** from the System Functions menu.

The SmartScanNG² system will now calibrate the channel associated with the scanner on which the heat source has been placed. Follow along on your interface screen until you see "Auto-Calibration Disengaged." This message is an indication that the system is done with the calibration procedure. To abort the process, press **[Esc]** (on your computer) or remove the heat source (from the scanner).

- c When "Auto-Calibration Disengaged" is displayed on your computer, remove the calibrated heat source.

Upon completion of autocalibration, the system acquires the scanner resistor temperature baseline values. The process begins with a 20-minute wait period in which the resistors are allowed to cool down. The system counts down during this period, sounding a tone each minute. After the 20-minute cooldown period, the system opens and closes the shutters for a period of 8 minutes.

- d Return to step 3.

10 To force a system reset:

The Remote System Reset option allows you to force a system reset through a remote connection. It can also be used locally.

- a Select **Remote System RESET** from the System Functions menu.

This prompt appears.

```
Remote System RESET
Are you sure? (y/n)
```

- b To not reset the system:

- Type **N**

The System Functions menu reappears.

- Return to step 3.

- c To reset the system, type **Y**

This message appears.

```
Restarting in 2 seconds
Waiting 2sec to start 'A' to abort
Configured IP = 0.0.0.0
Configured Mask = 0.0.0.0
MAC Address= 00:03:f4:08:8c:fe

Comm is booting...
Starting telnet task on port 23... running.

The system has finished booting.
```

After a few seconds, the Main menu reappears.

- d Return to step 3.

11 To delete all stored train data:

The Delete All Stored Train Data option allows you to erase all stored train data. This encompasses all data on the trains in the Trains directory, Exceptions directory, and Test Train directory. After deleting all the train data, there isn't any way of regenerating it. The data is gone forever.

```
      .
      .
[G] - Reboot System
[H] - Delete All Stored Train Data
[I] - Clear Event Log
[K] - Update Menu
      .
      .
```

- a** Select **Delete All Stored Train Data** from the System Functions menu.

This prompt appears.

```
Are you sure? (y/n)
```

- b** To not delete all stored train data:

- Type **N**

The System Functions menu reappears.

- Return to step 3.

- c** To delete all stored train data, type **Y**

This message appears.

```
Train data cleared.
```

- d** Return to step 3.

12 To delete all events stored in the Event Log:

The Clear Event Log option is used to erase all events stored in the Event Log and displayed on the Event Log report. After deleting the log, there isn't any way of regenerating it. The data is gone forever.

```
      .
      .
[G] - Reboot System
[H] - Delete All Stored Train Data
[I] - Clear Event Log
[K] - Update Menu
      .
      .
```

- a** Select **Clear Event Log** from the System Functions menu.

This prompt appears.

```
Are you sure? (y/n)
```

- b** To not delete all events stored in the Event Log:

- Type **N**

The System Functions menu reappears.

- Return to step **3**.

- c** To delete all events stored in the Event Log, type **Y**

The System Functions menu reappears.

- d** Return to step **3**.

13 Update Menu:

```
      .
      .
      .
[G] - Reboot System
[H] - Delete All Stored Train Data
[I] - Clear Event Log
[K] - Update Menu
      .
      .
```

- a** Select **Update Menu** from the System Functions menu.

This prompt appears.

```
Update Menu
-----
[A] - Select Update File
[X] - Exit
```

- b** Choose the **Select Update File** from the Update Functions menu.

This prompt appears.

```
Select update file:
[A] - EX 01-00.ng
[B] - EX 01-01.ng
```

- d** Select appropriate file from menu options.

14 To view the maintenance menu:

```

      .
      .
      .
[L] - Maintenance Menu
[M] - Volume up (3)
[N] - Volume down (3)
[O] - Web security settings
[X] - Exit
  
```

Select the **Maintenance Menu** from the System Functions menu.

A prompt like this appears.

```

Maintenance Menu
-----
[A] - View maintenance statistics
[B] - Reset System Health
[C] - Maintenance email list
[X] - Exit
  
```

15 To view maintenance statistics:

Select the **View Maintenance Statistics** option from the maintenance menu.

Information like this is displayed.

```

STATISTICS                               Trains Evaluated: 40   Days Spanned: 3

Scanner      Max Avg      Resistor Avg      Cold   Cold
              Max Avg      Max Avg      CF     Scanner Resistor
              Max Avg      Max Avg      cnt   %      cnt   %
-----
East Brng    74  24  300  300    0    0  0    0  0    Avg  27.8  +75
West Brng    67  24  300  295    0    0  0    0  0    Max  28.0  +88
                                         Min  27.8  +66

.....
Transducer Data
-----
Total Axles Scanned..... 11988
Total Txd. Miscounts..... 0
Percent Miscounts..... 0.00%
Trains With Miscounts..... 0
Trains In Sample..... 40
Percent Trains W/ Miscounts.. 0.00%
-----

Hardware Status
.....
East Bearing Scanner.....Pass
West Bearing Scanner.....Pass
East Wheel Scanner.....Disabled
West Wheel Scanner.....Disabled
Gating Transducers.....Pass
Ambient Temperature Probe.....Pass
Power.....Pass
Presence Hardware.....Disabled
Dragger.....Pass
High Load Detector.....Disabled
Wide Load Detector.....Disabled
AEI Subsystem.....Pass
  
```

16 To reset system health:

```
Maintenance Menu
-----
[A] - View maintenance statistics
[B] - Reset System Health
[C] - Maintenance email list
[X] - Exit
```

- a** Select **Reset System Health** from the Maintenance menu.

A prompt like this appears.

```
Are you sure? (y/n)
```

- b** To not reset system health:

- Type **N**

The Maintenance Menu reappears.

- c** To reset system health, type **Y**. This prompt appears.

```
System health cleared
```

The Maintenance Menu reappears.

17 To access Maintenance email list:

```
Maintenance Menu
-----
[A] - View maintenance statistics
[B] - Reset System Health
[C] - Maintenance email list
[X] - Exit
```

- a** Select **Maintenance email list** from the Maintenance menu.

A prompt like this appears.

```
Maintenance email list
-----
[A] - user@southern-tech.com
[P] - New email address
[X] - Exit
```

- b** Select **New email address** to add a new address or select an existing address to edit or delete from the list.

- c** Type X to return to the Maintenance menu.

For the resistor integrity test that is performed after train passage, there are two methods used to calculate the expected resistor temperature. The baseline resistor integrity test method requires the prerequisite of valid resistor baseline data to be stored in nonvolatile memory. Until the system acquires this data, it applies the interim resistor integrity test method to each train. The resistor data used in the baseline resistor integrity test method appears at the bottom of the System Status report.

Included in the data above is a resistor heat profile of each scanner resistor, which covers a period of 30 to 480 seconds, in 10 and 20-second intervals. The differences in resistor heat between the two scanners are due to the cable lengths used in this example. Additional items in the data are the battery voltage measured with the shutters open, the date and time of the data acquisition, and the status of the heat profile data.

In this example, the status of both sets of resistor data is "VALID," meaning they are being used in the baseline integrity test for each train. There are two other possibilities for status, pending and invalid. If the word "PENDING" appears in the status column, the system is waiting for the resistors to cool before acquiring resistor data or for the battery to charge to 12.5 volts (12V system) or 22.0 volts (24V system). "INVALID" indicates that the system has tried twice and could not acquire valid resistor data. In either case, the system applies the interim integrity test to passing trains, which doesn't require resistor baseline data.

The system acquires the resistor data 20 minutes after the user calibrates the scanners with the autocalibration function. The resistor data acquisition runs unattended. Twenty minutes is the cooling period required to allow the resistors to return to ambient temperature after autocalibration. If a train should interrupt the cooling period, the resistor data acquisition runs 20 minutes after the shutters close following the passage of the train.

During the resistor-cooling period, the system announces through the speaker the following. These announcements aren't broadcast over the radio.

A beep sounds once per minute until two minutes before the resistor test.

At two minutes until the test, "Scanner resistor test beginning in 2 minutes" is voiced.

At one minute until the test, "Scanner resistor test beginning in 1 minute" is voiced.

After the resistor cooling period:

As the test begins, "Testing" is voiced. During this time, the word PENDING appears in the status column of the Resistor Data section.

If the test was successful, "System working" is voiced. The word VALID appears in the status column of the Resistor Data section, signifying that the baseline test applies to each passing train.

If the test wasn't successful, "Scanner resistor test beginning in two-zero minutes" is voiced, meaning that the system will try once more after 20 minutes to acquire an accurate resistor heat profile. During this time, the word PENDING appears in the status column of the Resistor Data section. If the test fails a second time, the word INVALID appears in the same column. The system applies the interim integrity test to each passing train while either PENDING or INVALID appears.

20 To access Radio Programming Menu:

On the Systems Functions menu is the Radio Programming Menu. This menu includes submenus that allow you to select active radio channels, program the operating frequencies, adjust audio deviation levels, and select carrier detect levels. Programming is available only for Ritron DTX radios. Radios connected to a Dual Track Interface board cannot be programmed via the NG² Radio Programming Menu.

```

      .
      .
      .
[O] - Radio Programming Menu
[P] - Scanner Test
[Q] - Calibrate Frauscher Transducers
[R] - Virtual Gate Test
[X] - Exit

```

Select **Radio Programming Menu** from the System Functions menu.

For Ritron radios, a menu like this appears.

```

Identifying radio type... .. .
Reading radio data... .. .

SmartSCAN NG2, MP/KP:0001.2, Track:Single
03/19/2020 13:41:27, 24.5V, 54°F
DTX-160                               Firmware version: 1.05
Radio Programming Menu                 Transmit  Receive
-----
[A] - Channel 1..... 160.515   160.515
[B] - Channel 2..... 160.515   160.515
[C] - Channel 3..... 161.565   160.395
[D] - Channel 4..... 160.440   160.440
[E] - Channel 5..... 160.440   160.440
[F] - Channel 6..... 160.440   160.440
[G] - Channel 7..... 160.440   160.440
[H] - Channel 8..... 160.440   160.440
[I] - Carrier Detect On/Off (-dBm) ..... 110.0 / 115.0
[J] - Current channel ..... 1
[X] - Exit

```

Note: Radio menu cannot be accessed unless a Ritron DTX radio is plugged into the internal radio connector.

Radio Frequency Setup

The transmit and receive frequencies can be programmed for each of the eight available channels. Select the channel number to change its frequency designations. A prompt like this will appear.

```
          Transmit  Receive
          - - - - -  - - - - -
Channel 1 - 160.515  160.515

Enter new transmit frequency (###.###): 160.515
Enter new receive frequency (###.###): 160.515

Radio will not be programmed until you leave the menu and save
settings.
Enter new receive frequency (###.###):
```

Input format **###.###** where '#' may be 0-9. Include leading and trailing zeros. These values must be between 160.215 and 161.565. Once you have made your changes, you must exit the radio menu and the equipment menu and save the settings. The radio will then begin programming the new frequencies. If you attempt to enter the Radio Frequency Menu when the radio is not plugged in or is not responding, you will receive the message "Radio channels not available, radio not responding". You can also check to see if the Radio is not responding by looking at the System Status Report under System Warnings. After booting up, the system takes about a minute to recognize the radio.

Carrier Detect On/Off Level

The CD (Carrier Detect) LED is an indication that the system is experiencing radio traffic. It operates similarly to squelch. If the CD LED is lit when there is no activity on the frequency, then it is recommended that the sensitivity be reduced by changing the Carrier Detect On and Off levels. The factory default settings are 110 -dBm for carrier detect on, and 105 -dBm for carrier detect off. These settings rarely need to be adjusted and should be done so only by a qualified radio technician. For proper operation, the carrier detect on value should always be higher than the carrier detect off value. The difference between the two values represents the squelch hysteresis and is used to prevent squelch chatter when the received signal is near the squelch setting values. Typical hysteresis should be 5 dB.

Select **Carrier Detect ON/OFF**, and a prompt like this will appear.

```
The default value for Carrier Detect On is 110.0 (-dBm)
Enter new Carrier Detect On (-dBm) value between 060.0 and 127.0
(###.#):
```

Select **Current Channel** to activate the desired channel, and a prompt like this will appear.

```
Select a channel:  
[A] - Channel 1  
[B] - Channel 2  
[C] - Channel 3  
[D] - Channel 4  
[E] - Channel 5  
[F] - Channel 6  
[G] - Channel 7  
[H] - Channel 8  
[I] - Hardware control
```

21 To initiate the **Scanner Test**:

```
      .  
      .  
      .  
[P] - Scanner Test  
[Q] - Calibrate Frauscher Transducers  
[R] - Virtual Gate Test  
[X] - Exit
```

The scanner test function allows you to verify scanner accuracy. Place a calibrated heat source over a scanner's aperture and initiate the test. The detector will scan and display the temperature.

Select **Scanner Test** from the System Functions menu.

Test results like these appear.

```
East rail bearing scanner pot: 75  
West rail bearing scanner pot: 72  
  
The test will time out after 10 minutes  
You can end the test early by pressing any key.  
  
Beginning test...  
  
East bearing   West bearing  
    180         3
```

22 To perform a **Calibrate Frauscher Transducers**:

```
      .  
      .  
      .  
[P] - Scanner test  
[Q] - Calibrate Frauscher Transducers  
[R] - Virtual gate test  
[X] - Exit
```

a Select **Calibrate Frauscher Transducers** from the System Functions menu.

If Frauscher transducers are **not** currently installed and selected for the “Transducer Type” option on the Setup / Equipment Menu, then this message will be displayed, and then the System Functions Menu redisplayed.

```
***Aborting Calibration*** Frauscher transducers are not
currently enabled in the detector's Setup.
```

If Frauscher transducers are currently installed and selected for the “Transducer Type” option on the Setup / Equipment Menu, then a prompt like this appears.

```
Which transducer?
[A] - Transducer 1
[B] - Transducer 2
[C] - Both
```

Select a transducer (or both) to initiate calibration.

```
Are you sure? (y/n)

Sending calibration signal...
Calibration started, please wait up to 60 seconds...
Calibration complete
Transducer 1: Success
```

b Type any key to return to the System Functions menu.

c Return to step 3.

23 To perform a **Virtual gate test**:

```
      :
      :
      :
[P] - Scanner test
[Q] - Calibrate Frauscher Transducers
[R] - Virtual gate test
[X] - Exit
```

a Select **Virtual gate test** from the System Functions menu.

A prompt like this appears.

```
Select a scanner:
[1] - East Rail
[2] - West Rail
[3] - East Wheel
[4] - West Wheel
```

Select a scanner to initiate the test.

```
Are you sure? (y/n)

You have 2 minutes to test.
Test running, press any key to abort the test...
```

While in Virtual Gate Test Mode, the goal is to simulate a wheel that passes over the gating transducers and then continues moving to the scanner under test. The system notifies you when the simulated wheel is in the virtual gate area by cycling the shutters. The following steps describe how to use the Virtual Gate Test Mode.

- From the Virtual Gate Test Mode menu, select a scanner in which you want to see its Virtual Gate position.
- Swipe across the Gating Transducers with a metal object in the direction of the scanner under test. Maintain a speed faster than 1.6 seconds between sensors.
- Swipe across the sensors again. However, this time continue moving the metal object to the scanner under test while maintaining a constant speed.
- The shutters rapidly cycle one time to indicate when the system is looking for heat in the virtual window located at the scanner, which should be at the time that the metal object (simulated axle) passes the scanner. *If the shutters do not cycle, the entry for the closest transducer (TO1 or TO2) may be incorrect.*
- Simulating various axle speeds, repeat as needed to confirm settings.

The test mode runs for two minutes before timing out. Otherwise, any keypress ends the session. Rapid shutter flutter is an indication that two minutes have expired and the test has ended automatically. The event log records a canceled train at the end of the testing session.

- b** Type any key to return to the System Functions menu.

4.4 Replay EOT Announcement

The EOT message for every train that is stored in long-term memory can be replayed through the local speaker. The replaying of the EOT message does not activate the PTT, so it isn't broadcast over the radio.

To replay the train announcement for a given train:

- 1 Be sure that the Main menu is displayed.

The Main menu looks like this.

```
Main Menu - Comm
-----
[A] - Train Summary
[B] - Train Detail
[C] - Exception Summary
[D] - Exception Detail
[E] - System Status Report
[F] - Last Train
[G] - Train DSRs
[H] - AEI Diagnostic
[I] - Setup
[J] - Event Log
[K] - System Functions Menu
[L] - Replay Train
[M] - Security Menu
[X] - Exit
```

- 2 Select **Replay train**.

This prompt appears.

```
Enter train number:
```

- 3 Type the train number.
- 4 The following prompt will be displayed.

```
Exception train? (y/n)
```

If the train number you entered was taken from the Exception Summary Report, then press 'Y' to the above prompt. Otherwise, press "N".

- 5 The following prompt will be displayed.

```
Text only? (y/n)
```

If you want only a text version of the End Of Train message to be printed to the terminal, press 'Y' in response to the above prompt. If you'd also like to hear the message broadcast audibly, then press 'N' in response to the above prompt.

If you answered 'N' to the above prompt, then the End Of Train message will be broadcast audibly, and a text form of the message will be printed to the terminal. The text form will look similar to this:

```
Announced: ' detector at kilometer post 1 2 3 3 point 8
west track '
Announced: ' detector at kilometer post 1 2 3 3 point 8
west track no defects repeat no defects total axles 2 6 '
Announced: ' detector at kilometer post 1 2 3 3 point 8
west track no defects repeat no defects total axles 2 6
detector out '

```

4.5 System Security

This menu is only available during the initial setup or when logged in with an administrative password.

To view or change system security settings:

Be sure that the Main menu is displayed.

The Main menu looks like this.

```
Main Menu - Comm
-----
[A] - Train Summary
[B] - Train Detail
[C] - Exception Summary
[D] - Exception Detail
[E] - System Status Report
[F] - Last Train
[G] - Train DSRs
[H] - AEI Diagnostic
[I] - Setup
[J] - Event log
[K] - System Functions Menu
[L] - Replay train
[M] - Security Menu
[X] - Exit

```

Select the **Security Menu**. This menu/prompt appears.

```
Security Menu
-----
[A] - Admin password not set
[B] - User password not set
[C] - Change wifi password
[X] - Exit

```

System login with an administrative password allows all access to system menus.

System login with user password allows access to report menus and system functions menu but restricts access to the setup menu and security menu.

The maximum length of all passwords is 32 characters. This applies to all passwords (Admin, User, and Wifi). The Wifi password must now contain a minimum of eight characters.

Select an option to set or change the Admin or User password.

Enter a new password (maximum of 32 characters):

Select an option to set or change the wifi password.

Enter a new password (minimum of 8 characters, maximum of 32 characters):

5.0 Web/Secure Wireless User Interface

The web/ Secure Wireless interface allows **on-site** and **off-site** access to the system. This interface allows the user to view reports and modify system parameters.

To use the Secure Wireless interface locally, you need:

- A phone, tablet, or computer with WiFi capability
- Communications browser, which is installed on the device

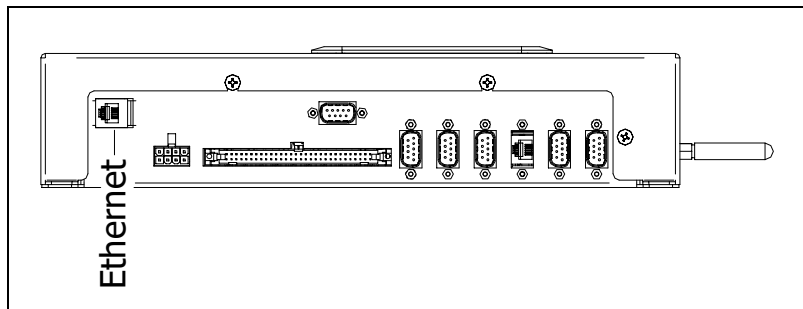
For remote access via a web browser:

- A computer with internet connectivity
- A SmartScanNG² with Ethernet connectivity

The SmartScanNG² web interface provides:

- Train Summary report
- Train Detail reports
- System Status report
- System configuration
- Maintenance Information
- Event Log report
- Software update
- Scanner Calibration

To connect to the SmartScanNG² remotely with a web browser, the controller module must have Ethernet connectivity routed to the RJ45 connector, as shown below.



To make a wireless local connection, the WiFi setting must be enabled on the SmartScanNG². Search for and select the NG network on your wireless device. Enter the correct WiFi password to make a successful network connection.

To view the web page for your SmartScanNG², open a web browser on your computer. Enter the unit's IP address into the address bar of your browser. Login with a username and password. See example below. The contents of your web page will be similar.

SMARTSCAN NG²

Milepost: 0128.7 Track: Number 2 Track Subdivision: None 09/27/2023, 14:23 Battery: 13.0V Temp: 25C

A Train Is Present Logged in as admin. Logout

Train Data System Status Configuration Logs Maintenance Info System Functions Software Update Calibration

Train Summary Data (Trains Stored: 95) Refresh

Axle Alarms Integrity Failures System Alarms DSR Records

Trn#	Date	Time	Cars	Axles	TO1	TO2	Dir	Speed			Bearing Avg		Wheel Max		AEI Tags	Temp	Bat	Alarms
								Min	Max	Exit	East	West	East	West				
95	09/27/23	12:40	133	538	538	538	S	16	19	19	12	13	124	128	132	+76F	13.4v	
94	09/27/23	11:52	87	354	354	354	S	38	41	40	11	11	34	12	86	+74F	13.5v	
+ 93	09/27/23	09:50	45	212	212	212	N	41	42	41	18	22	29	8	43	+70F	13.5v	
92	09/27/23	07:54	42	170	170	170	N	41	44	41	10	12	26	8	41	+60F	13.6v	
91	09/27/23	07:31	62	252	252	252	N	30	34	30	16	19	30	12	61	+60F	13.5v	
90	09/27/23	07:08	118	486	486	486	N	26	37	26	10	14	30	18	114	+60F	13.5v	
89	09/27/23	05:09	67	272	272	272	N	31	37	31	12	15	26	12	65	+61F	13.5v	
+ 88	09/27/23	04:05	46	302	302	302	S	45	46	45	24	28	197	161	46	+62F	13.5v	
+ 87	09/27/23	01:18	58	316	316	316	N	13	24	16	18	20	66	55	70	+66F	13.5v	
86	09/27/23	00:41	107	512	512	512	N	14	27	14	14	17	36	18	106	+69F	13.4v	
85	09/27/23	00:06	236	952	952	952	N	17	28	17	8	8	30	21	233	+68F	13.4v	
+ 84	09/26/23	20:42	38	262	262	262	N	45	47	45	21	26	130	94	38	+68F	13.4v	
+ 83	09/26/23	19:58	63	350	350	350	N	34	37	34	20	24	55	38	61	+72F	13.3v	
+ 82	09/26/23	17:13	79	320	320	320	N	36	42	36	5	9	36	24	75	+81F	13.3v	
81	09/26/23	16:04	68	282	282	282	N	35	40	35	19	23	32	21	68	+83F	13.3v	
+ 80	09/26/23	14:17	60	292	292	292	N	22	36	22	17	21	124	100	57	+80F	13.4v	
+ 79	09/26/23	13:43	36	224	224	224	N	43	50	43	7	12	84	76	35	+80F	13.4v	
78	09/26/23	13:25	105	424	424	424	N	22	39	22	6	7	30	21	103	+80F	13.4v	
77	09/26/23	12:01	54	220	220	220	N	42	45	42	5	6	64	36	43	+75F	13.5v	
+ 76	09/26/23	10:10	40	296	296	296	N	15	32	15	16	19	78	60	38	+67F	13.6v	
75	09/26/23	09:46	37	228	228	228	N	36	38	36	8	11	49	18	37	+65F	13.6v	
+ 74	09/26/23	08:28	31	126	126	126	N	43	46	43	9	14	44	29	31	+59F	13.6v	
73	09/26/23	07:48	111	450	450	450	N	31	38	31	9	12	36	12	107	+57F	13.6v	
+ 72	09/26/23	06:49	68	282	282	282	S	41	42	42	19	20	659	646	66	+58F	13.6v	East Hot
71	09/26/23	05:53	124	502	502	502	N	23	37	23	9	12	91	38	122	+58F	13.6v	

More

Click the **"More"** button at the bottom to load more train data.

The web page header includes the site's Milepost, Track Designator, Site ID, Date, Time, Battery voltage, Temperature, and Login status. The main page includes eight tabs. Train Data, System Status, Configuration, Logs, Maintenance Info, System Functions, Software Update, and Auto Cal. Clicking on the tabs will change the display in the main body of the page.

A pop-up indicator will appear above the tabs whenever a train is present.

On the Train Data tab between the Train Summary Data label and the header for the report columns is a key showing the various indicators present on the report (axle alarms, Integrity Failures, System Alarms, and DSR Records). Certain colors and characters at certain locations around a train's train number indicate the presence of these items. Hovering the mouse pointer over a train number also produces a pop-up window showing any axle alarms, Integrity Failures, and/or System Alarms present on the train.

5.1 Train Data

To view the train data, left-click the **Train Data** tab. The Train Summary Data will be displayed as depicted in the example above.

To view a train detail report, slide the mouse pointer to highlight the row for the desired train in the Train Summary Data Table. Left-click to select the train. A new window appears for each **Train Detail** report. This report also has the Show Announcements and Show DSR Charts buttons that display additional windows and information and provide replay and download of the spoken announcements. See the example below.

Train Details - Train #95
Subdivision: None Milepost: 0128.7 / Number 2 Track

Date: 09/27/23	Axles: 538	Speed	Train Length: 8188	Amb. temp.: +76F
Time: 12:40	T01: 538	Min: 16	Shutters Open: 317 sec	Battery: 13.4v
Dir: South	T02: 538	Max: 19		
	Cars: 133	Avg: 17		
		Exit: 19		

Software Version: CP_00-02x 2023-09-22

Scanner Performance						Alarm Limits		AEI System Data		
			Resistor			Alarm	Limit	Tags Read		
	Scanner	Max	Avg	Read	Req	CF				
East Bearing	34	12	300	258	B	0	Absolute	180	Antenna 0	0
West Bearing	45	13	269	195	B	0	Differential	150	Antenna 1	132
East Wheel	124	17	311	229	B	0	N/E Hot Wheel	600	Length(AEI)	8674
West Wheel	128	11	310	265	B	0	S/W Hot Wheel	600	GO Train Detect	No
Resistor Test Mode: Enabled							Carside Slope	1.60		
							Carside Min	130		
							Cold Rail Temp	10		
							Announce Hot Wheels	Yes		
							Announce High Load	Yes		
							Announce Wide Load	Yes		
							Announce Differential	Yes		

System Alarms
AEI Subsystem: No Tags Ant 0

Integrity Failures
None.

Axle Alarm Summary
None.

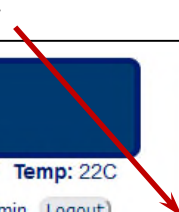
Show Announcements
Show DSR Charts

Car	Axle	Bearing		Wheel		ON	OFF	PW1	PW2	Alarms
		East	West	East	West					
NS 7622										
1	1	4	1	15	8	90	2655	51	50	
	2	4	1	26	12	90	161	48	47	
	3	2	1	21	12	90	163	50	48	
	4	4	1	26	12	90	1179	51	49	
	5	2	1	18	8	89	161	48	47	
	6	10	12	29	12	90	161	46	44	
NS 4133										
2	7	4	1	26	12	89	433	43	43	
	8	5	1	42	8	90	162	43	41	
	9	5	1	29	8	90	162	43	42	
	10	4	1	49	8	89	1182	47	46	
	11	2	1	34	12	90	163	48	47	
	12	2	1	34	8	90	162	47	45	

See Section 6.0 Producing Reports for a detailed explanation of the various report headers.

5.2 System Status

To view the system status, left-click the **System Status** tab. Grab and drag the slider bar to view the full range of system settings. See the example depicted below. By clicking on the header of a section of the display you can hide/show the contents of that section.

Slider Bar 

SMARTSCAN NG²

Milepost: 1234.5 Track: North 28/09/2023, 09:47Battery: 11.7V Temp: 22C

[Logged in as admin.](#) [Logout](#)

Train Data**System Status**ConfigurationLogsMaintenance InfoSystem FunctionsSoftware UpdateCalibration

System Status

Site Information ▲

Milepost	1234.5
Track Designator	North
Track Direction	North/South
Software Version	EX_01-05 2023-08-08
Speech Version #0	EXP_EN_01
Speech Version #1	EXP_FR_01
SICM Board Rev	1.2 or lower
Active IP Settings	DHCP Addressing
IP Address	10.14.22.115
IP Mask	255.255.255.0
Default Gateway	10.14.22.1
DNS Server	10.14.22.16

Alarm Settings ▲

Absolute	150
Differential	255
Hot Wheel (N/E Bound)	500
Hot Wheel (S/W Bound)	500
Cold Rails	3
Cold Rail Temp	10
Cold Res Counter	3
Differential Enabled	No

Alarm Settings (Advanced) ▲

Carside Slope	1.31
Carside Minimum	90
Res Test: Minimum Rail Avg	25
Res Test: Minimum Wheel Avg	28
Bearing DSR Capture Temp	72
Wheel DSR Capture Temp	361
Max Alarms	8

•
•
•

System Status (cont.)

•
•
•

Equipment Settings ▲	
Dragger	Yes
Hot Wheel	No
Hot Bearing	Yes
High Load	No
Wide Load	No
AEI	No
Presence Hardware	Yes
Advance Transducers	No
AC Power Off Monitor	Yes

Equipment Settings (Advanced) ▲	
Carside Slope	Yes
Winter Cycle	Disabled
Gate Distance	24.0 in
Dragger Debounce Time	200 ms
Pre Train Dragger Dist	0 ft
Pre Train High/Wide Dist	0 ft
Presence Timeout Period	10 sec
System Voltage	12 V
Resistor Test	Enabled
Clearance Mode	Multiplexed
Clearance Type	Light Beam
Transducer Gain	Normal
Transducer Type	Magnetic
Carrier Detect Active State	Low

Message Settings ▲	
Arrival Message	Yes
Customer Name	Yes
Axles	Yes
Speed	No
Temperature	Yes
Slow	Yes
Power Off	Yes
Repeat No Defects	Yes
Length	No
Cars Count	No
Lft/Rt Alarm Ref	No
Car ID With Alarm	No
PrimaryLanguage	French_Louise
SecondaryLanguage	None

Message Settings (Advanced) ▲	
Announce Hot Wheels	Yes
Announce Differential	Yes
Announce High Load	Yes
Announce Wide Load	Yes
Request EOT Timer	10 min
Rebroad DTMF Code	123
Num EOT Repeats	1
EOT Repeat Delay	15 sec

•
•
•

System Status (cont.)

-
-
-

Network Settings ▲	
Use Static Address	No
Static IP	192.168.1.101
Static Mask	255.255.255.0
Static Default Gateway	192.168.1.1
Static DNS Server	192.168.1.1
TELNET Port	23
FTP Port	21
HTTP Port	80
HTTPS Port	8080
Use Wifi	No
Wifi Inactivity Timeout	10 min

Sunshots ▲	
Sunshot Filter	Disabled
Scanner Orientation	0
Latitude	35.0456
Longitude	-85.3097

COM Port Settings ▲	
COM1 (Serial Interface)	Baud 19200 None
COM2 (Not Used)	Baud 19200 None
COM3 (Velocity)	Baud 19200 None
COM4 (Not Used)	Baud 19200 None
COM5 (AEI)	Baud 19200 None
COM6 (FlashHost)	Baud 57600 None
RS485 (Not Used)	Baud 9600 None
Page Lines	30

AEI Settings ▲	
Tag Reader Type	None
ID Separation	2
Consecutive Reads	2
RF Frequency (MHz)	915.000
RF Attenuation (dB)	0
Multi-Track Tag Filter	Disabled
Antenna 0 Offset	0 (TO1)
Antenna 1 Offset	0 (TO1)

Scanner Calibration Date / Digital Potentiometer Settings ▲	
Rail 1 Type III	05/16/2022 10:22 / 41
Rail 2 Type III	04/28/2022 08:07 / 40
Wheel 1	SCANNER DISABLED
Wheel 2	SCANNER DISABLED

Resistor Baseline ▲	
Rail 1 Type III	Valid
Rail 2 Type III	Valid
Wheel 1	SCANNER DISABLED
Wheel 2	SCANNER DISABLED

5.3 Configuration

To view the system configuration settings, left-click the **Configuration** tab. Then left-click the category tabs on the left to view or edit the various parameters. If necessary, grab and drag the slider bar on the right to view the full range of system settings. See the samples depicted below.

To modify the **Date/Time** setting, click on the parameter field and type the new value. The **Apply Changes** button will be outlined in red when changes have been entered. Left-click the **Apply Changes** button to save changes. A Changes Applied Successfully message will appear.

The screenshot displays the SMARTSCAN NG² web interface. At the top, the header shows the system name and status: Milepost: 1234.5, Track: North, 28/09/2023, 09:49, Battery: 11.7V, Temp: 22C. Below the header is a navigation bar with tabs: Train Data, System Status, Configuration (selected), Logs, Maintenance Info, System Functions, Software Update, and Calibration. The main content area is titled 'Configuration' and includes a 'Load Default Setup Parameters' button. On the left, a vertical menu lists various configuration categories: Date/Time (selected), Site Parameters, Alarm Settings, Alarm Settings (Advanced), Equipment Settings, Equipment Settings (Advanced), Message Settings, Message Settings (Advanced), Network Settings, COM Port Settings, AEI Settings, Units Of Measure, and Import/Export. The 'Date/Time' settings are shown in a form with 'Date' set to 28/09/2023 and 'Time' set to 09:49. An 'Apply Changes' button is located below the input fields.

Date/Time

To modify the **Site Parameters** settings, click on the parameter field and type the new value. The **Apply Changes** button will be outlined in red when changes have been entered. Left-click the **Apply Changes** button to save changes. A Changes Applied Successfully message will appear.

The screenshot displays the SMARTSCAN NG² web interface. At the top, the header shows the system name and status: Milepost: 1234.5, Track: North, 28/09/2023, 09:50, Battery: 11.7V, Temp: 21C, and Logged in as admin. Below the header is a navigation menu with buttons for Train Data, System Status, Configuration (highlighted), Logs, Maintenance Info, System Functions, Software Update, and Calibration. The main content area is titled 'Configuration' and includes a 'Load Default Setup Parameters' button. On the left is a sidebar with menu items: Date/Time, Site Parameters (selected), Alarm Settings, Alarm Settings (Advanced), Equipment Settings, Equipment Settings (Advanced), Message Settings, Message Settings (Advanced), Network Settings, COM Port Settings, AEI Settings, Units Of Measure, and Import/Export. The 'Site Parameters' section is expanded, showing fields for Milepost (1234.5), Track Designation (North), and Track Direction (N/S), along with an 'Apply Changes' button.

Site Parameters

To modify the **Alarm Settings**, click on the parameter field and type the new value. The **Apply Changes** button will be outlined in red when changes have been entered. Left-click the **Apply Changes** button to save changes. A Changes Applied Successfully message will appear.

The screenshot shows the SMARTSCAN NG² web interface. At the top, it displays system information: Milepost: 1234.5, Track: North, 28/09/2023, 09:51, Battery: 11.7V, Temp: 22C, and a user logged in as admin. Below this is a navigation menu with buttons for Train Data, System Status, Configuration (selected), Logs, Maintenance Info, System Functions, Software Update, and Calibration. The main content area is titled 'Configuration' and includes a 'Load Default Setup Parameters' button. On the left is a sidebar with menu items: Date/Time, Site Parameters, Alarm Settings (highlighted), Alarm Settings (Advanced), Equipment Settings, Equipment Settings (Advanced), Message Settings, Message Settings (Advanced), Network Settings, COM Port Settings, AEI Settings, Units Of Measure, and Import/Export. The central 'Alarm Settings' panel contains a table of parameters:

Parameter	Value	min	max
Absolute	150	1	300
Differential	255	1	300
Hot Wheel (N/E Bound)	500	1	900
Hot Wheel (S/W Bound)	500	1	900
Cold Rails	3	1	9
Cold Rail Temp	10	1	30
Cold Res Counter	3	1	9
Differential Enabled	no		

Below the table is an 'Apply Changes' button.

Alarm Settings

To modify the **Alarm Settings (Advanced)** settings, click on the parameter field and type the new value. The **Apply Changes** button will be outlined in red when changes have been entered. Left-click the **Apply Changes** button to save changes. A Changes Applied Successfully message will appear.

The screenshot displays the SMARTSCAN NG² web interface. At the top, the header shows the system name and status: Milepost: 1234.5, Track: North, 28/09/2023, 09:52, Battery: 11.7V, Temp: 22C. A navigation bar contains buttons for Train Data, System Status, Configuration, Logs, Maintenance Info, System Functions, Software Update, and Calibration. The Configuration section is active, showing a sidebar with options like Date/Time, Site Parameters, Alarm Settings, Equipment Settings, Message Settings, Network Settings, COM Port Settings, AEI Settings, Units Of Measure, and Import/Export. The main content area is titled 'Alarm Settings (Advanced)' and contains a table of parameters:

Parameter	Value	Range
Carside Slope	1.31	min = 0.01, max = 2.55
Carside Minimum	90	min = 0, max = 300
Res Test: Minimum Rail Avg	25	min = 0, max = 300
Res Test: Minimum Wheel Avg	28	min = 0, max = 900
Bearing DSR Capture Temp	72	min = 0, max = 300
Wheel DSR Capture Temp	361	min = 0, max = 900
Max Alarms	8	min = 1, max = 11

An 'Apply Changes' button is located below the table.

Alarm Settings (Advanced)

To modify the **Equipment Settings**, click on the parameter field and type the new value. The **Apply Changes** button will be outlined in red when changes have been entered. Left-click the **Apply Changes** button to save changes. A Changes Applied Successfully message will appear.

The screenshot shows the SMARTSCAN NG² web interface. At the top, there is a header with the logo and navigation tabs: Train Data, System Status, Configuration (selected), Logs, Maintenance Info, System Functions, Software Update, and Calibration. Below the header, there is a status bar showing Milepost: 1234.5, Track: North, 28/09/2023, 09:57, Battery: 11.7V, Temp: 22C, and a user login status: Logged in as admin. Logout.

The main content area is titled "Configuration" and contains a "Load Default Setup Parameters" button. On the left, there is a sidebar menu with the following items: Date/Time, Site Parameters, Alarm Settings, Alarm Settings (Advanced), **Equipment Settings** (highlighted), Equipment Settings (Advanced), Message Settings, Message Settings (Advanced), Network Settings, COM Port Settings, AEI Settings, Units Of Measure, and Import/Export.

The "Equipment Settings" section is displayed in a table format:

Equipment Settings	
Dragger	yes ▾
Hot Wheel	no ▾
Hot Bearing	yes ▾
High Load	no ▾
Wide Load	no ▾
AEI	no ▾
East Rail Scanner Type	Type III ▾
West Rail Scanner Type	Type III ▾
East Wheel Scanner Type	Type III ▾
West Wheel Scanner Type	Type III ▾
Presence Hardware	yes ▾
Advance Transducers	no ▾
AC Power Off Monitor	yes ▾

At the bottom of the Equipment Settings section, there is an "Apply Changes" button.

Equipment Settings

To modify the **Equipment Settings (Advanced)** settings, click on the parameter field and type the new value. The **Apply Changes** button will be outlined in red when changes have been entered. Left-click the **Apply Changes** button to save changes. A Changes Applied Successfully message will appear.

SMARTSCAN NG²

Milepost: 1234.5 Track: North 28/09/2023, 09:57 Battery: 11.7V Temp: 22C
 Logged in as admin. Logout

Train Data System Status Configuration Logs Maintenance Info System Functions Software Update Calibration

Configuration Load Default Setup Parameters

Equipment Settings (Advanced)

Date/Time		
Site Parameters		
Alarm Settings		
Alarm Settings (Advanced)		
Equipment Settings		
Equipment Settings (Advanced)		
Message Settings		
Message Settings (Advanced)		
Network Settings		
COM Port Settings		
AEI Settings		
Units Of Measure		
Import/Export		

Clearance Mode	Multiplexed	
Clearance Type	Light Beam	
Carside Slope	yes	
Winter Cycle	no	
Winter Cycle Start Month	October	
Winter Cycle End Month	March	
Transducer Gain	Normal	
Resistor Test	Enabled	
Gate Distance (inches)	24.0	min = 18.0, max = 48.0
Dragger Debounce Time (mS)	200	min = 0, max = 999
Pre Train Dragger Dist (feet)	0	min = 0, max = 15
Pre Train High/Wide Dist (feet)	0	min = 0, max = 15
Presence Timeout Period (seconds)	10	min = 5, max = 30
System Voltage	12	
Transducer Type	Magnetic	
Carrier Detect Active State	Low	

Apply Changes

Equipment Settings (Advanced)

To modify the **Frauscher Transducer** settings, click on the parameter field and type the new value. The **Apply Changes** button will be outlined in red when changes have been entered. Left-click the **Apply Changes** button to save changes. A Changes Applied Successfully message will appear.

NOTE: This menu will only appear if the transducer type is set to “Frauscher” in the Equipment Settings (Advanced) menu.

The screenshot shows the SMARTSCAN NG² web interface. At the top, it displays 'Milepost: 1234.5 Track: North 06/11/2020, 12:28' and 'Battery: 14.0V Temp: 18C'. Below this is a navigation bar with buttons for 'Train Data', 'System Status', 'Configuration', 'Logs', 'Maintenance Info', 'System Functions', 'Software Update', and 'Calibration'. The 'Configuration' section is active, showing a sidebar with various settings categories and a main content area titled 'Frauscher Transducer Offsets'. The main area contains a table of settings for rail and wheel scanners on both east and west sides, with fields for size, offset, and nearest transducer type. An 'Apply Changes' button is located at the bottom of the settings table.

Frauscher Transducer Offsets		
Rail Size (lbs/yd (kg/m))	136 (67.46)	▼
East Rail Scanner Offset	23	min = 0, max = 100
East Rail Nearest Txd	T01	▼
West Rail Scanner Offset	23	min = 0, max = 100
West Rail Nearest Txd	T01	▼
East Wheel Scanner Offset	23	min = 0, max = 100
East Wheel Nearest Txd	T01	▼
West Wheel Scanner Offset	23	min = 0, max = 100
West Wheel Nearest Txd	T01	▼

Frauscher Transducer Offsets

To modify the **Messages** settings, click on the parameter field and type the new value. The **Apply Changes** button will be outlined in red when changes have been entered. Left-click the **Apply Changes** button to save changes. A Changes Applied Successfully message will appear.

The screenshot shows the SMARTSCAN NG² web interface. At the top, there is a header with the logo and system status: Milepost: 1234.5, Track: North, 28/09/2023, 09:54, Battery: 11.8V, Temp: 22C. Below the header is a navigation bar with buttons for Train Data, System Status, Configuration (selected), Logs, Maintenance Info, System Functions, Software Update, and Calibration. The main content area is titled 'Configuration' and contains a 'Load Default Setup Parameters' button. On the left is a sidebar menu with options: Date/Time, Site Parameters, Alarm Settings, Alarm Settings (Advanced), Equipment Settings, Equipment Settings (Advanced), Message Settings (selected), Message Settings (Advanced), Network Settings, COM Port Settings, AEI Settings, Units Of Measure, and Import/Export. The 'Message Settings' section is expanded, showing a list of parameters with dropdown menus: Axles (yes), Speed (no), Temperature (yes), Length (no), Slow (yes), Power Off (yes), Repeat No Defects (yes), Cars Count (no), Customer Name (yes), Arrival Message (yes), Lft/Rt Alarm Ref (no), Car ID With Alarm (no), PrimaryLanguage (French_Louise), and SecondaryLanguage (None). An 'Apply Changes' button is located at the bottom of the settings list.

Messages

To modify the **Messages Settings (Advanced)**, click on the parameter field and type the new value. The **Apply Changes** button will be outlined in red when changes have been entered. Left-click the **Apply Changes** button to save changes. A Changes Applied Successfully message will appear.

The screenshot shows the SMARTSCAN NG² configuration interface. At the top, it displays system information: Milepost: 1234.5, Track: North, 28/09/2023, 09:55, Battery: 11.8V, Temp: 22C, and a user logged in as admin. Below this is a navigation menu with buttons for Train Data, System Status, Configuration (selected), Logs, Maintenance Info, System Functions, Software Update, and Calibration. The main content area is titled 'Configuration' and includes a 'Load Default Setup Parameters' button. On the left is a sidebar with menu items: Date/Time, Site Parameters, Alarm Settings, Alarm Settings (Advanced), Equipment Settings, Equipment Settings (Advanced), Message Settings (selected), Message Settings (Advanced) (highlighted in dark blue), Network Settings, COM Port Settings, AEI Settings, Units Of Measure, and Import/Export. The central panel displays the 'Message Settings (Advanced)' configuration table:

Message Settings (Advanced)		
Announce Hot Wheels	Yes	▼
Announce Differential	Yes	▼
Announce High Load	Yes	▼
Announce Wide Load	Yes	▼
Request EOT Timer (minutes)	10	min = 0, max = 240
Rebroadcast DTMF Code	123	
Num EOT Repeats	1	min = 0, max = 5
EOT Repeat Delay (seconds)	15	min = 0, max = 360

Below the table is an 'Apply Changes' button.

Messages Settings (Advanced)

To modify the **Network Settings**, click on the parameter field and type the new value. The **Apply Changes** button will be outlined in red when changes have been entered. Left-click the **Apply Changes** button to save changes. A Changes Applied Successfully message will appear.

SMARTSCAN NG²

Milepost: 1234.5 Track: North 28/09/2023, 09:59
Battery: 11.7V Temp: 22C

[Logged in as admin.](#) [Logout](#)

Train Data
System Status
Configuration
Logs
Maintenance Info
System Functions
Software Update
Calibration

Configuration
[Load Default Setup Parameters](#)

<div style="border: 1px solid #ccc; padding: 2px; margin-bottom: 2px;">Date/Time</div> <div style="border: 1px solid #ccc; padding: 2px; margin-bottom: 2px;">Site Parameters</div> <div style="border: 1px solid #ccc; padding: 2px; margin-bottom: 2px;">Alarm Settings</div> <div style="border: 1px solid #ccc; padding: 2px; margin-bottom: 2px;">Alarm Settings (Advanced)</div> <div style="border: 1px solid #ccc; padding: 2px; margin-bottom: 2px;">Equipment Settings</div> <div style="border: 1px solid #ccc; padding: 2px; margin-bottom: 2px;">Equipment Settings (Advanced)</div> <div style="border: 1px solid #ccc; padding: 2px; margin-bottom: 2px;">Message Settings</div> <div style="border: 1px solid #ccc; padding: 2px; margin-bottom: 2px;">Message Settings (Advanced)</div> <div style="border: 1px solid #ccc; padding: 2px; margin-bottom: 2px; background-color: #e0e0e0;">Network Settings</div> <div style="border: 1px solid #ccc; padding: 2px; margin-bottom: 2px;">COM Port Settings</div> <div style="border: 1px solid #ccc; padding: 2px; margin-bottom: 2px;">AEI Settings</div> <div style="border: 1px solid #ccc; padding: 2px; margin-bottom: 2px;">Units Of Measure</div> <div style="border: 1px solid #ccc; padding: 2px;">Import/Export</div>	<div style="border-bottom: 1px solid #ccc; margin-bottom: 10px;">Network Settings</div> <table style="width: 100%; border-collapse: collapse;"> <tr> <td>Use Static Address</td> <td><input type="text" value="no"/></td> <td></td> </tr> <tr> <td>Static IP</td> <td><input type="text" value="192.168.1.101"/></td> <td></td> </tr> <tr> <td>Static Mask</td> <td><input type="text" value="255.255.255.0"/></td> <td></td> </tr> <tr> <td>Static Default Gateway</td> <td><input type="text" value="192.168.1.1"/></td> <td></td> </tr> <tr> <td>Static DNS Server</td> <td><input type="text" value="192.168.1.1"/></td> <td></td> </tr> <tr> <td>TELNET Port</td> <td><input type="text" value="23"/></td> <td>min = 0, max = 65535</td> </tr> <tr> <td>FTP Port</td> <td><input type="text" value="21"/></td> <td>min = 0, max = 65535</td> </tr> <tr> <td>HTTP Port</td> <td><input type="text" value="80"/></td> <td>min = 0, max = 65535</td> </tr> <tr> <td>HTTPS Port</td> <td><input type="text" value="8080"/></td> <td>min = 0, max = 65535</td> </tr> <tr> <td>Use Wifi</td> <td><input type="text" value="no"/></td> <td></td> </tr> <tr> <td>Wifi Inactivity Timeout (min)</td> <td><input type="text" value="10"/></td> <td>min = 0, max = 30</td> </tr> </table> <div style="text-align: center; margin-top: 10px;"> <input type="button" value="Apply Changes"/> </div>	Use Static Address	<input type="text" value="no"/>		Static IP	<input type="text" value="192.168.1.101"/>		Static Mask	<input type="text" value="255.255.255.0"/>		Static Default Gateway	<input type="text" value="192.168.1.1"/>		Static DNS Server	<input type="text" value="192.168.1.1"/>		TELNET Port	<input type="text" value="23"/>	min = 0, max = 65535	FTP Port	<input type="text" value="21"/>	min = 0, max = 65535	HTTP Port	<input type="text" value="80"/>	min = 0, max = 65535	HTTPS Port	<input type="text" value="8080"/>	min = 0, max = 65535	Use Wifi	<input type="text" value="no"/>		Wifi Inactivity Timeout (min)	<input type="text" value="10"/>	min = 0, max = 30
Use Static Address	<input type="text" value="no"/>																																	
Static IP	<input type="text" value="192.168.1.101"/>																																	
Static Mask	<input type="text" value="255.255.255.0"/>																																	
Static Default Gateway	<input type="text" value="192.168.1.1"/>																																	
Static DNS Server	<input type="text" value="192.168.1.1"/>																																	
TELNET Port	<input type="text" value="23"/>	min = 0, max = 65535																																
FTP Port	<input type="text" value="21"/>	min = 0, max = 65535																																
HTTP Port	<input type="text" value="80"/>	min = 0, max = 65535																																
HTTPS Port	<input type="text" value="8080"/>	min = 0, max = 65535																																
Use Wifi	<input type="text" value="no"/>																																	
Wifi Inactivity Timeout (min)	<input type="text" value="10"/>	min = 0, max = 30																																

Network Settings

To modify the **COM Port Settings**, click on the parameter field and type the new value. The **Apply Changes** button will be outlined in red when changes have been entered. Left-click the **Apply Changes** button to save changes. A Changes Applied Successfully message will appear.

The screenshot shows the SMARTSCAN NG² web interface. At the top, there is a navigation bar with the logo and system status information: Milepost: 1234.5, Track: North, 28/09/2023, 09:59, Battery: 11.7V, Temp: 21C, and a 'Logged in as admin' status with a 'Logout' link. Below the navigation bar is a menu with buttons for Train Data, System Status, Configuration (selected), Logs, Maintenance Info, System Functions, Software Update, and Calibration. The main content area is titled 'Configuration' and includes a 'Load Default Setup Parameters' button. On the left is a sidebar menu with options: Date/Time, Site Parameters, Alarm Settings, Alarm Settings (Advanced), Equipment Settings, Equipment Settings (Advanced), Message Settings, Message Settings (Advanced), Network Settings, COM Port Settings (highlighted), AEI Settings, Units Of Measure, and Import/Export. The main panel displays the 'COM Port Settings' configuration table:

COM Port Settings		
COM1 (Serial Interface)	19200	▼
COM2 (Not Used)	19200	▼
COM4 (Not Used)	19200	▼
COM6 (FlashHost)	57600	▼
RS485 (Not Used)	9600	▼
Page Lines	30	min = 0, max = 9999

Below the table is an 'Apply Changes' button.

COM Port Settings

To modify the **AEI Settings**, click on the parameter field and type the new value. The **Apply Changes** button will be outlined in red when changes have been entered. Left-click the **Apply Changes** button to save changes. A Changes Applied Successfully message will appear.

SMARTSCAN NG²

Milepost: 1234.5 Track: North 28/09/2023, 10:00
Battery: 11.7V Temp: 21C

[Logged in as admin.](#) [Logout](#)

Train Data
System Status
Configuration
Logs
Maintenance Info
System Functions
Software Update
Calibration

Configuration
[Load Default Setup Parameters](#)

<div style="border: 1px solid black; padding: 2px; margin-bottom: 2px;">Date/Time</div> <div style="border: 1px solid black; padding: 2px; margin-bottom: 2px;">Site Parameters</div> <div style="border: 1px solid black; padding: 2px; margin-bottom: 2px;">Alarm Settings</div> <div style="border: 1px solid black; padding: 2px; margin-bottom: 2px;">Alarm Settings (Advanced)</div> <div style="border: 1px solid black; padding: 2px; margin-bottom: 2px;">Equipment Settings</div> <div style="border: 1px solid black; padding: 2px; margin-bottom: 2px;">Equipment Settings (Advanced)</div> <div style="border: 1px solid black; padding: 2px; margin-bottom: 2px;">Message Settings</div> <div style="border: 1px solid black; padding: 2px; margin-bottom: 2px;">Message Settings (Advanced)</div> <div style="border: 1px solid black; padding: 2px; margin-bottom: 2px;">Network Settings</div> <div style="border: 1px solid black; padding: 2px; margin-bottom: 2px;">COM Port Settings</div> <div style="border: 1px solid black; padding: 2px; margin-bottom: 2px; background-color: #003366; color: white;">AEI Settings</div> <div style="border: 1px solid black; padding: 2px; margin-bottom: 2px;">Units Of Measure</div> <div style="border: 1px solid black; padding: 2px;">Import/Export</div>	<div style="border-bottom: 1px solid black; padding-bottom: 5px;">AEI Settings</div> <table style="width: 100%; border-collapse: collapse;"> <tr> <td>ID Separation</td> <td style="text-align: center;"><input type="text" value="2"/></td> <td style="text-align: right; font-size: small;">min = 1, max = 4</td> </tr> <tr> <td>Consecutive Reads</td> <td style="text-align: center;"><input type="text" value="2"/></td> <td style="text-align: right; font-size: small;">min = 1, max = 4</td> </tr> <tr> <td>RF Frequency (MHz)</td> <td style="text-align: center;"><input type="text" value="915.000"/> ▼</td> <td></td> </tr> <tr> <td>RF Attenuation (dB)</td> <td style="text-align: center;"><input type="text" value="0"/></td> <td style="text-align: right; font-size: small;">min = 0, max = 10</td> </tr> <tr> <td>Multi-Track Tag Filter</td> <td style="text-align: center;"><input type="text" value="no"/> ▼</td> <td></td> </tr> <tr> <td>Antenna 0 Offset</td> <td style="text-align: center;"><input type="text" value="0"/></td> <td style="text-align: right; font-size: small;">min = 0, max = 240</td> </tr> <tr> <td>Antenna 0 Nearest Txd</td> <td style="text-align: center;"><input type="text" value="T01"/> ▼</td> <td></td> </tr> <tr> <td>Antenna 1 Offset</td> <td style="text-align: center;"><input type="text" value="0"/></td> <td style="text-align: right; font-size: small;">min = 0, max = 240</td> </tr> <tr> <td>Antenna 1 Nearest Txd</td> <td style="text-align: center;"><input type="text" value="T01"/> ▼</td> <td></td> </tr> </table> <div style="text-align: center; margin-top: 10px;"> <input type="button" value="Apply Changes"/> </div>	ID Separation	<input type="text" value="2"/>	min = 1, max = 4	Consecutive Reads	<input type="text" value="2"/>	min = 1, max = 4	RF Frequency (MHz)	<input type="text" value="915.000"/> ▼		RF Attenuation (dB)	<input type="text" value="0"/>	min = 0, max = 10	Multi-Track Tag Filter	<input type="text" value="no"/> ▼		Antenna 0 Offset	<input type="text" value="0"/>	min = 0, max = 240	Antenna 0 Nearest Txd	<input type="text" value="T01"/> ▼		Antenna 1 Offset	<input type="text" value="0"/>	min = 0, max = 240	Antenna 1 Nearest Txd	<input type="text" value="T01"/> ▼	
ID Separation	<input type="text" value="2"/>	min = 1, max = 4																										
Consecutive Reads	<input type="text" value="2"/>	min = 1, max = 4																										
RF Frequency (MHz)	<input type="text" value="915.000"/> ▼																											
RF Attenuation (dB)	<input type="text" value="0"/>	min = 0, max = 10																										
Multi-Track Tag Filter	<input type="text" value="no"/> ▼																											
Antenna 0 Offset	<input type="text" value="0"/>	min = 0, max = 240																										
Antenna 0 Nearest Txd	<input type="text" value="T01"/> ▼																											
Antenna 1 Offset	<input type="text" value="0"/>	min = 0, max = 240																										
Antenna 1 Nearest Txd	<input type="text" value="T01"/> ▼																											

AEI Settings

To modify the **Units of Measure** settings, click on the parameter field and type the new value. The **Apply Changes** button will be outlined in red when changes have been entered. Left-click the **Apply Changes** button to save changes. A Changes Applied Successfully message will appear.

The screenshot shows the SMARTSCAN NG² web interface. At the top, the status bar displays: Milepost: 1234.5, Track: North, 28/09/2023, 10:02, Battery: 11.8V, Temp: 22C, and Logged in as admin. Below the status bar is a navigation menu with buttons for Train Data, System Status, Configuration (selected), Logs, Maintenance Info, System Functions, Software Update, and Calibration. The main content area is titled 'Configuration' and includes a 'Load Default Setup Parameters' button. On the left is a sidebar menu with options: Date/Time, Site Parameters, Alarm Settings, Alarm Settings (Advanced), Equipment Settings, Equipment Settings (Advanced), Message Settings, Message Settings (Advanced), Network Settings, COM Port Settings, AEI Settings, Units Of Measure (highlighted), and Import/Export. The 'Units Of Measure' settings are displayed in a table:

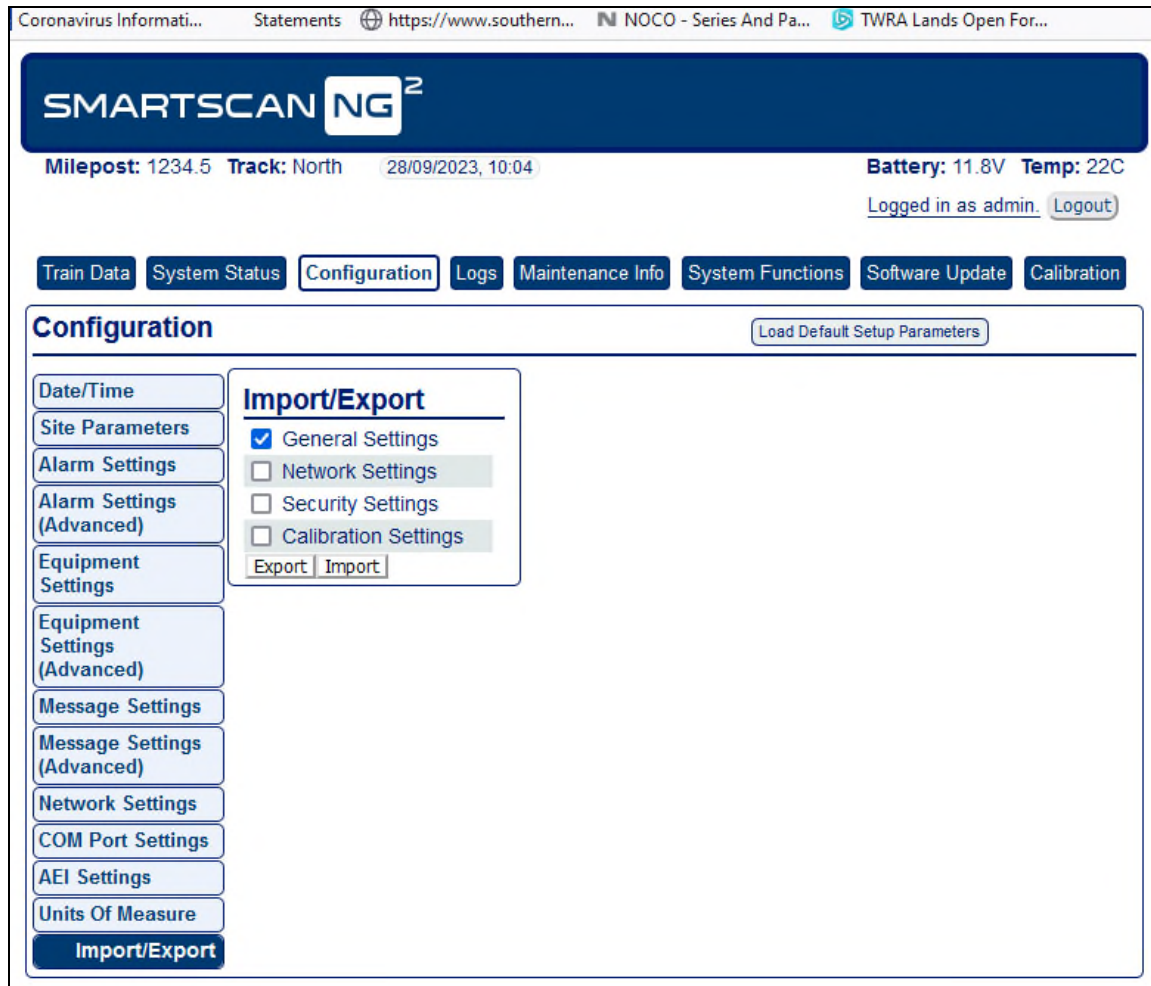
Units Of Measure	
Location	Kilometerpost ▾
Date Format	Metric ▾
Speed	Metric ▾
Temperature	Metric ▾
Length	Metric ▾

Below the table is an 'Apply Changes' button.

Units of Measure

To **Export** settings, check the box(es) next to the desired settings (**General**, **Network**, **Security**, or **Calibration**). Left-click **Export** to export file in .json format.

To **Import** settings, you must have the appropriate import file available (a file previously exported by an NG²) in json format. Check the box(es) for the desired settings you wish to import (**General**, **Network**, **Security**, or **Calibration**). Left-click **Import**, then select the .json file from the browser.



Import/Export

5.4 System Event Log

The **System Event Log** report is used for diagnostics. As certain system events occur, entries are posted into the event log. Each time an entry is made into this log, it receives an event number, the date and time that the event was recorded, and an event description. Events are listed in chronological order beginning with the most recent event.

To view the system event log, left-click the **Logs** tab. Grab and drag the slider bar to view the full report. See **System Event Log** sample depicted below.

SMARTSCAN NG²

Milepost: 1234.5 Track: North 28/09/2023, 10:05 Battery: 11.8V Temp: 22C
Logged in as admin. Logout

Train Data System Status Configuration **Logs** Maintenance Info System Functions Software Update Calibration

System Event Log Refresh

0001: [28/09/2023 09:45:08] (54) - Admin logged in: id-3, serial interface
0002: [28/09/2023 09:14:38] (54) - Serial Connection timed out: id-3
0003: [28/09/2023 08:11:32] (54) - Default setup loaded (Serial Interface, Setup Menu)
0004: [28/09/2023 08:11:29] (54) - Setup password entry: Success
0005: [28/09/2023 07:59:11] (54) - Admin logged in: id-3, serial interface
0006: [28/09/2023 07:58:43] (47) - Train Canceled: Axls=0, T01=0, T02=0, Noise1=0, Noise2=0
0007: [28/09/2023 07:58:33] (47) - Analyzer: Dead Battery (11.7): Keeping Shutters Closed
0008: [28/09/2023 07:58:29] (47) - Train Arrival
0009: [28/09/2023 07:58:09] (47) - Analyzer: Analyzer booted up
0010: [28/09/2023 07:57:41] (58) - Comm Startup
0011: [28/09/2023 07:57:41] (58) - Reset cause: Software
0012: [09/28/2023 07:57:16] (53) - Rebooting for update
0013: [09/28/2023 07:57:16] (53) - System Update successful
0014: [09/28/2023 07:56:55] (62) - Processor update complete
<----- End Of Log ----->

More

Click the **“More”** button at the bottom to load more events.

5.5 Maintenance Info

Left-click the **Maintenance Info** tab to view maintenance data. Left-click Change Train Range to change the range of trains used for maintenance calculations. The default range is the last forty trains.

SMARTSCAN NG²

Milepost: 1234.5 Track: North 06/11/2020, 13:10
Battery: 13.9V Temp: 18C

[Logged in as admin.](#) [Logout](#)

Train Data
System Status
Configuration
Logs
Maintenance Info
System Functions
Software Update
Calibration

Maintenance Information

Statistics accumulated for the last **3** trains. Change Train Range Refresh
 Includes data from the last 1 days.

Scanner Statistics

Scanner	Max		Avg		Resistor CF	Cold Scanner		Cold Resistor	
	Max	Avg	Max	Avg		Cnt	%	Cnt	%
East Bearing	36	13	300	294	0	0	0	0	0
West Bearing	40	17	300	293	0	0	0	0	0
East Wheel	66	15	356	341	0	0	0	0	0
West Wheel	112	20	351	334	0	0	0	0	0

Transducer Statistics

Total Axles Scanned	1214
Total Txd. Miscounts	0
Percent Miscounts	0.00%
Trains With Miscounts	0
Trains In Sample	3
Percent Trains W/ Miscounts	0.00%

System Statistics

	Battery	Ambient Temp
Avg	14.2	55
Max	14.4	66
Min	14.0	47

Hardware Status

East Bearing Scanner	Pass
West Bearing Scanner	Pass
East Wheel Scanner	Pass
West Wheel Scanner	Pass
Gating Transducers	Pass
Ambient Temperature Probe	Pass
Power Subsystem	Pass
Presence Hardware	Pass
Dragger	Pass
High Load Detector	Disabled
Wide Load Detector	Disabled
AEI Subsystem	Disabled

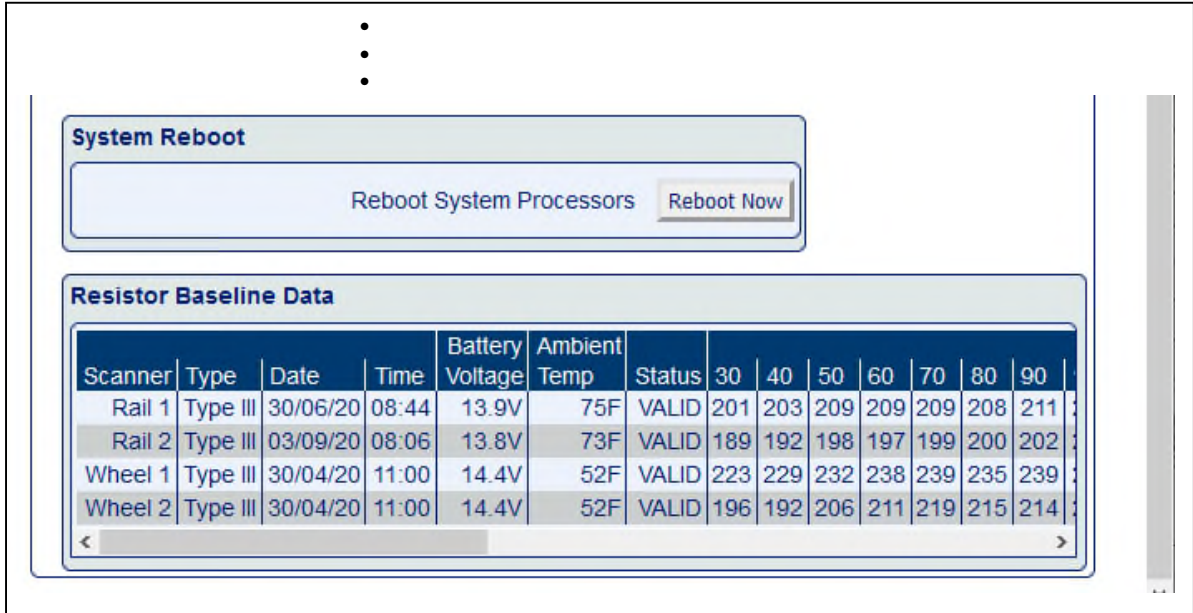
5.6 System Functions

Some but not all system functions can be accessed remotely. Left-click the **Systems Functions** tab to view available options. Left-click the corresponding button to initiate the desired function.

The screenshot displays the SMARTSCAN NG² web interface. At the top, a dark blue header contains the logo and system status: Milepost: 1234.5, Track: North, 09/27/2023, 14:38, Battery: 11.8V, Temp: 69F, and a 'Logout' button. Below the header is a navigation bar with tabs: Train Data, System Status, Configuration, Logs, Maintenance Info, System Functions (highlighted), Software Update, and Calibration. The main content area is titled 'System Functions' and is divided into four sections:

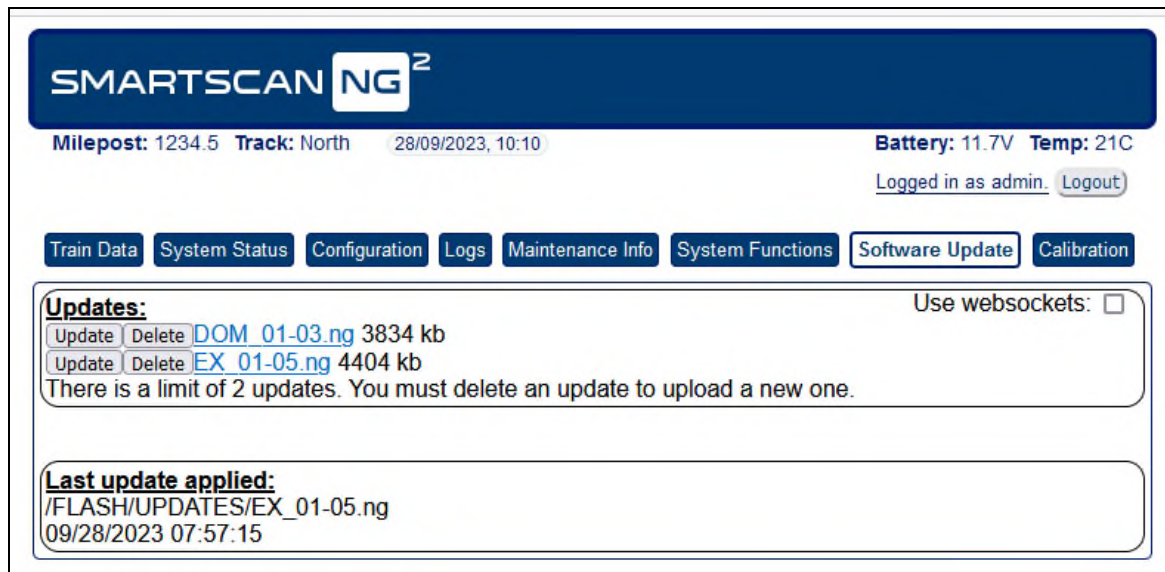
- System Test Functions:** Includes buttons for 'Radio Test', 'Vocabulary Test', 'Timed Radio Inhibit', 'Test Tone', and 'Test Train'.
- Stored Data Resets:** Includes buttons for 'Clear Data', 'Clear Log', 'Reset Stats', and 'Load Defaults'.
- Speaker Volume Adjust:** Features a dropdown menu set to '3' and an 'Apply Setting' button.
- Maintenance Alert Email List:** Includes an 'Add' button for a new address, an 'Apply Email List Changes' button, and a highlighted 'Apply' button.

At the bottom center of the page, there are three vertically aligned dots.



5.7 Remote Software Update

To perform a remote software update, left-click the **Software Update** tab. This tab is the only way to upload software packages onto the detector. Once a package is on the detector, the user can install it either by using this tab or by using the Serial Interface.



The **Upload** button is used to load a new software package onto the detector for subsequent installation. To upload a new file, left-click on the Upload button. Search for and select a software file on your computer. Only two files can be stored at a time. If there are already two files, you must delete one before uploading another.

When the upload is complete, left-click the **Update** button and follow the instructions to update the software. The **Update** button is used to install a previously uploaded software packet so that it becomes the detector's operating software.

5.8 Calibration

To perform the automatic scanner calibration function, in the Scanner Auto Calibration section of the Calibration page, left-click the **Start** button.

Note that the Frauscher Transducer Calibration section of the Calibration page will be displayed only if the system has been configured to use Frauscher transducers. The Transducer Type option under the Setup/Equipment menu must be set to Frauscher.

To perform Frauscher calibration, select TO1, TO2, or both – then left-click the **Start Calibration** button.

SMARTSCAN NG²

Milepost: 1234.5 Track: North 06/11/2020, 13:18 Battery: 13.9V Temp: 19C
Logged in as admin. Logout

Train Data System Status Configuration Logs Maintenance Info System Functions Software Update Calibration

Scanner Auto Calibration

Calibration Status

Scanner	Scanner Type	Potentiometer Setting Prev.	Potentiometer Setting Current	Last Calibration Date	Last Calibration Time
East Bearing	III		74	29/06/2020	11:42
West Bearing	III		56	03/09/2020	07:38
East Wheel	III		100	01/01/2016	08:44
West Wheel	III		100	01/01/2016	08:49

Click 'Start' button to begin calibration

Start Stop

History

Frauscher Transducer Calibration

Select the transducer to be calibrated:

T01
 T02
 Both

Start Calibration

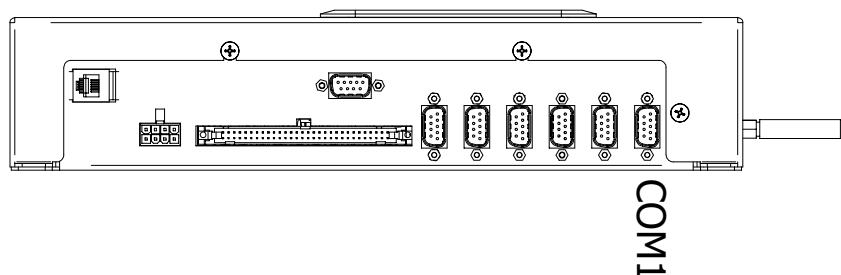
6.0 Producing Reports

The SmartScanNG² system provides:

- Train Summary report
- Train Detail report
- Exception Summary report
- extended Exception Detail report
- abbreviated Exception Detail report
- System Status report
- AEI Diagnostic Detail report
- Event Log report
- Maintenance report

This section shows a sample of each report with a description of each field. It also lists step-by-step instructions on producing each report, both **on-site** and **off-site**. The instructions for each report start with you being at the Main menu, which is described below.

- 1 If **on-site**, plug your computer into the SmartScanNG² serial port COM1.



- 2 Turn on your computer.
- 3 Be sure that your computer has installed communications software, that it is set to use full-duplex, and that the baud rate is set to 115,200.
Use your communications software to open a LOG file and capture the whole session to the file. When your session is complete, you may then view what you have done with an editor, print it with a printer, or store it for later retrieval.
- 4 On your computer, open a LOG file.
- 5 If **off-site**, establish communications with the SmartScanNG² via Ethernet or modem as appropriate.

6 Press **[Esc]**.

This prompt appears.

```
Enter password:
```

7 Type the assigned password.

The entry of this word is **not** case-sensitive.

8 To get the serial interface to come up, press **[Esc]**.

The Main menu appears.

```
SmartSCAN NG2, MP/KP:1234.5, Track:North
28/09/2023 10:12:13, 11.8V, 73°F
Main Menu - Comm
-----
[A] - Train Summary
[B] - Train Detail
[C] - Exception Summary
[D] - Exception Detail
[E] - System Status Report
[F] - Last Train
[G] - Train DSRs
[H] - AEI Diagnostic
[I] - Setup
[J] - Event log
[K] - System Functions Menu
[L] - Replay train
[M] - Security Menu
[X] - Exit
```

At the above prompt, you can produce one of the listed reports by selecting the appropriate option.

If a train is at the site when the Main menu is generated, "*** Train Is Present ***" is displayed just above the menu header for the Main menu.

9 When done, close the LOG file.

10 To exit the serial interface and return the system to normal operation, type **X**.

When a session ends, if a modem is used, the system sends various commands to the modem to prepare it for future use. If at any time during the disconnect procedure, lines such as "+++ATH0" appear on your screen, these are merely commands preparing the modem for further use. They shouldn't be construed as anything that is meant for the user.

6.1 Train Summary Report

The Train Summary report lists all trains currently stored in the Trains directory. A train number is shown for each train entry so that a Train Detail report may easily be produced for any train listed on the summary.

The report is divided into a header section and a detail section. The header section contains general information about the site. The detail section contains summary information on each train that passed the site.

Below is a sample of part of a Train Summary report when Hotwheel alarm detection was disabled during report processing and when the AEI subsystem was disabled during train passage. (When the report is run, if the Hotwheel option on the Equipment Settings menu is disabled, the hotwheel information is hidden. When the report is run, if the AEI option is disabled, the tag information isn't hidden.) The contents of your report will be different. The version information in the sample below is for illustrative purposes only. It doesn't represent any real release of the firmware.

```

Southern Technologies Corporation
Next Generation Detector System
TRAIN SUMMARY
=====
Software Version: EX_01-00 2020-10-28                      MP/KP: 1234.5
                                                    Track: North

Current Alarm Settings
Absolute..... 150   Carside Slope... 1.31
Differential.. 255   Minimum..... 90
Hot Wheel..... 500   Cold Rail Temp.. 10

Total Trains: 19
-----
Train#   Date      Time  Cars  Axles  TO1  TO2  r  Min  Max  Xit  Bearing  Bearing  Bearing  Amb
        Date      Time  Cars  Axles  TO1  TO2  r  Min  Max  Xit  Average  Maximum  Maximum  Temp  Bat
        Date      Time  Cars  Axles  TO1  TO2  r  Min  Max  Xit  East  West  East  West  Temp  Bat
-----
19B 09/11/23 05:08  67  272  272  272  S   6  30  10  23  21  48  49  +24F 13.0v
18B 09/11/23 04:13  68  276  276  276  N  24  33  32  15  13  29  30  +27F 13.1v
17B 09/11/23 03:51  52  332  332  332  N  23  36  36  15  14  35  39  +27F 13.0v
16B 09/11/23 03:14 131  530  530  530  N   9  29  29   8   5  27  20  +27F 13.0v
15B 09/11/23 01:26  49  318  318  318  S   7  11  8  17  16  34  31  +27F 13.1v
14B 09/11/23 00:49  75  304  304  304  S   5  14  9  19  17  36  34  +26F 13.0v
13B 09/11/23 00:08  85  346  346  346  N  21  32  32  17  16  40  30  +27F 12.9v

12B 09/10/23 23:08  84  342  342  342  N   7  27  27   7   5  23  19  +27F 13.0v
11B 09/10/23 22:38  98  398  398  398  N   8  28  27   6   3  29  19  +27F 13.1v
10B 09/10/23 20:59  92  372  372  372  S  19  24  22   8   5  26  28  +26F 13.1v
      .
      .
      .
-----
Status Code Legend: [DSR Status][Train #][Alarm Status][Correction Factor]

DSR Status      : 'B' = Bearing, 'W' = Wheel, '+' = Both Bearing and Wheel
Alarm Status    : 'A' = Alarms only, 'B' = Both Alarms and Integrity Failures
                : 'I' = Integrity Failures only, 'S' = System Alarms only, 'T' = Test Train
Correction Factor : 'C' = One or more correction factors greater than 25%.
                : '*' = Resistor Test results overridden for one or more scanners.
-----

END OF REPORT - Press any key...

```

Below is a sample of part of a Train Summary report when the Hotwheel option on the Equipment Settings menu is enabled. The contents of your report will be different.

```

      :
      :
Current Alarm Settings
Absolute..... 150   Carside Slope... 1.31
Differential.. 255   Minimum..... 90
Hot Wheel..... 500   Cold Rail Temp.. 10

Total Trains: 20
-----
                                D           Bearing      Wheel
                                i           Average      Maximum
Train#   Date   Time Cars Axles TO1  TO2 r  Min Max Xit East  West  East West  Temp  Bat
-----
      :
      :
      :
END OF REPORT - Press any key...

```

The table below lists the fields from the header section and the contents of each field.

Heading	Contents of Field
Version Info	The version numbers of the firmware and their release dates, which are in mm/dd/yy format. This firmware resides on the processor modules.
MP/KP	The five-digit milepost/kilometer post of the site. Section 4.0 - Serial Interface tells how to change this value using the MP/KP submenu.
Track	The track designator of the site. For single-track sites, the value is Single. For double-track sites, valid values are North, South, East, West, Main 1, Main 2, Main 3, and Middle. Section 4.0 - Serial Interface tells how to set this value using the Track Number submenu of the Setup menu.
Alarm Limits	<p>The alarm parameters currently defined in the system setup. These values were in place at the time this report was run.</p> <ul style="list-style-type: none"> • The value after Absolute is set by the Absolute option on the Alarm Settings menu. • The value after Differential is set by the Differential option on the Alarm Settings menu. • The heading Hot Wheel only appears when the Hotwheel option on the Equipment Settings menu is <u>enabled</u>. The value after Hot Wheel is set by the Hotwheel option on the Alarm Settings menu. • The value after Carside Slope is set by the Carside Slope option on the Alarm Settings menu. • The value after Minimum is set by the Carside Minimum option on the Alarm Settings menu. • The value after Cold Rail Temp is set by the Cold Rail Temperature option on the Alarm Settings menu. <p>Section 4.0 - Serial Interface tells how to set these values.</p>
Total Trains	The total number of trains visiting the site since the Trains directory was last cleared.

The table below lists the fields from the detail section and the contents of each field.

Heading	Contents of Field
Train#	The number that identifies the train in the Trains directory.
Date	The date the train arrived at the site. Date is in mm/dd/yy format. Section 4.0 - Serial Interface tells how to change this value using the Date and Time submenu of the Setup menu.
Time	The time the train arrived at the site. Time is in 24-hour hh:mm format, where 8 a.m. is 08:00, noon is 12:00, 8 p.m. is 20:00, and midnight is 00:00. Section 4.0 - Serial Interface tells how to change this value using the Date and Time submenu of the Setup menu.
Cars	The total number of cars counted by the SmartScanNG ² system.
Axles	The total number of axles counted by the SmartScanNG ² system.
TO1	The total number of hits counted by gating transducer TO1. TO1 is the first gating transducer going north or east from the bearing scanner. It is the gating transducer <u>closest</u> to the bearing scanner.
TO2	The total number of hits counted by gating transducer TO2. TO2 is the second gating transducer going north or east from the bearing scanner. It is the gating transducer <u>farthest</u> from the bearing scanner.
AEI Tags	The total number of AEI tags stored. The number of tag pairs found plus those single tags that lack a match. This heading always appears, even if the AEI subsystem is disabled using the AEI option on the Equipment Settings menu.
Speed (mph)	The train's exit speed in miles per hour.
Dir	The direction the train was traveling. Valid values are N, S, E, and W.
Rail Average	Under this heading are two columns, one for each bearing scanner, containing the average temperature read by the bearing scanners. If the track orientation is east and west, the bearing scanners are labeled north and south. If the track orientation is north and south, they are labeled east and west.
Wheel Maximum	Under this heading are two columns, one for each wheel scanner, containing the maximum temperature read by the wheel scanners. If the track orientation is east and west, the wheel scanners are labeled north and south. If the track orientation is north and south, they are labeled east and west. This field appears only when the Hotwheel option on the Equipment Settings menu is enabled.
Amb Temp	The ambient temperature, in degrees Fahrenheit, at the time the train arrived at the site.
Bat	The system battery voltage at the time the train passed the site.

The Train Summary report contains three unlabeled columns that may contain one-character status codes. In the Train Summary excerpt below, these columns have been highlighted and labeled. Following the Train Summary excerpt is a brief explanation of each column along with a table containing possible values for that column.

A B C

Train#	Date	Time	Cars	Axles	TxD Counts		TxD Spikes		D i	Speed			Bearing Average		Bearing Maximum		AEI Tags	Amb Temp	Bat
					TO1	TO2	TO1	TO2		r	Min	Max	Xit	East	West	East			
266	07/19/23	22:20	55	454	454	454	0	0	N	6	26	6	29	29	53	57	112	74F	27.9v
265A	07/19/23	21:24	27	114	114	114	0	0	N	14	18	14	23	22	39	39	53	77F	27.9v
264	07/19/23	16:40	134	544	544	544	0	0	N	27	35	27	17	17	45	48	186	87F	28.0v
263	07/19/23	16:21	112	456	456	456	0	0	N	35	40	35	19	19	56	51	147	88F	27.9v
262	07/19/23	11:40	27	112	112	112	0	0	N	48	48	48	23	24	52	59	52	83F	27.9v
261S*	07/19/23	11:17	27	114	114	114	0	0	S	26	29	26	9	9	29	34	51	84F	27.9v
260	07/19/23	10:21	138	560	560	560	0	0	S	28	40	28	20	21	49	48	193	80F	27.8v
259	07/19/23	08:38	77	320	320	320	0	0	N	29	30	29	20	21	51	50	151	72F	27.8v
258	07/19/23	07:25	48	334	334	334	0	0	N	43	49	45	24	24	48	50	93	67F	27.9v
B257I	07/19/23	04:21	39	266	266	266	0	0	N	9	20	20	28	26	63	55	78	69F	27.9v

(Column A) - Below are the characters that can be printed in the DSR status column of the Train Summary report. This column appears just before the Train# column.

Character	Definition
(blank)	There were no DSR records captured for this train
B	DSR records for bearing scanners were captured for this train.
W	DSR records for wheel scanners were captured for this train.
+	DSR records for bearing and wheel scanners were captured for this train.

(Column B) - Below are the characters that can be printed in the Alarm status column of the Train Summary report. This column appears just after the Train# column and right before the Correction Factor column.

Character	Definition
(blank)	The train did not contain any exception alarms, integrity failures, or system alarms.
A	The train contained exception alarms but no integrity failures.
I	The train contained integrity failures but no exception alarms.
B	The train contained exception alarms and integrity failures.
S	The train did not contain any exception alarms or integrity failures but did contain system alarms.
T	The train was a test train.

(Column C) - Below are the characters that can be printed in the Correction Factor (CF) status column of the Train Summary report. This column appears just after the Alarm status column and right before the date column.

Character	Definition
(blank)	Resistor test passed.
C	The train had one or more correction factors greater than 25%.
*	The resistor test results were overridden for one or more scanners.

To produce a Train Summary report:

- 1 Using the serial interface, display the Main menu.

Section 4.0 - Serial Interface tells how to display the Main menu. The Main menu looks like this.

```
Main Menu - Comm
-----
[A] - Train Summary
[B] - Train Detail
[C] - Exception Summary
[D] - Exception Detail
[E] - System Status Report
      .
      .
      .
```

- 2 Select **Train Summary**.
- 3 To exit the serial interface and return the SmartScanNG² system to normal operation, type **X**.

6.2 Train Detail Report

The Train Detail report provides detailed information on a single train. When choosing this report, you'll be prompted for a train number. When prompted, enter a train number from the Train Summary report. The train number appears under the column titled "Train#" in the detail section of the Train Summary report.

Carside Slope alarm detection is enabled/disabled using the Carside Slope option on the Equipment Settings menu. Hotwheel alarm reporting is enabled/disabled using the Hotwheel option on the Equipment Settings menu. The AEI subsystem is enabled/disabled using the AEI option on the Equipment Settings menu.

Where wheel scanners are properly installed, wheel temperatures are always recorded, even if the Hotwheel option is disabled. On the other hand, if the AEI option is disabled during train passage, no AEI information is recorded. If the Carside Slope option is disabled during train passage, no Carside Slope alarms are generated. But, if it is enabled at the time a report is requested, a carside-slope alarm-limit line is generated for each car of the train.

The Train Detail Report can be printed in either extended or abbreviated format. The abbreviated report option is defined in the subsequent section. When printing an extended version of a Train Detail report, a copy of the current system parameters appears at the end of the report. This appended information is almost a complete copy of the System Status report.

Below is a sample of part of a Train Detail report when both the AEI option and the Hotwheel option on the Equipment Settings menu were enabled at the time the report was requested. The Carside Slope option on the Equipment Settings menu was disabled. Also, both the AEI and Hotwheel options were enabled while the specified train was passing the site. The contents of your report will be different. The version information in the sample below is for illustrative purposes only. It doesn't represent any real release of the firmware.

```

=====
                        Southern Technologies Corporation
                        Next Generation Detector System
                        TRAIN DETAIL
=====
Train#:    9                Axles: 82          Speed (kph)          MP/KP: 1233.8
Date: 10/12/23           Cars: 18            Min: 80              Track: West
Time: 08:13              Direction: North    Max: 80              Temperature: +13C
                        Shutters Open: 25          Avg: 80              Battery: 14.4v
                        Length: 340m           Exit: 80
=====
Scanner      Max Avg  Resistor  Txdr      Alarm      Limit  Carside Parm
-----
East Brng  23  22    0  0T  0    TO1  82    Absolute    180  Slope:   1.31
West Brng  24  23    0  0T  0    TO2  82    Differential  75  Minimum:  90
East Whl   1   1     0  0T  0                    N/E Hot Wheel 500
West Whl   4   4     4  0T  0                    S/W Hot Wheel 500
                        Cold Rail Temp 10

Resistor Test Mode: Enabled
=====
Software Version: EX_01-00 2020-10-28
=====
AEI System Data

Tags Read          Tags Stored: 35
-----
Antenna 0: 17
Antenna 1: 18

-----
System Alarms

None

-----
Integrity Failures

None

-----
Axle Alarm Summary

NONE
.
.
.

(continued on next page)

```

Train Detail - Extended

Train Detail - Extended (continued)

```

      .
      .
      .
-----
Announcements made

" detector at kilometer post 1 2 3 3 point 8 west track "
" detector at kilometer post 1 2 3 3 point 8 west track no defects repeat no defects total
axles 8 2 "
" detector at kilometer post 1 2 3 3 point 8 west track no defects repeat no defects total
axles 8 2 detector out "
-----
      Rail      Wheel
Car Axle  East  West  East  West  ON   OFF PW1 PW2  Alarms
-----
1   1   22   23   1   4   27   74  19  19  CSXT   729
    2   22   23   1   4   27   50  19  19
    3   22   23   1   4   27   50  19  19
    4   22   23   1   4   27   422 19  19
    5   22   23   1   4   27   50  19  19
    6   22   23   1   4   27   50  19  19
    Carside Ave: East 22 West 23   Carside Alarms: East 118 West 120

2   7   22   23   1   4   27   126 19  19  TBOX 667179
    8   22   23   1   4   27   50  19  19
    9   22   23   1   4   27   50  19  19
   10   22   23   1   4   27   423 19  19
   11   22   23   1   4   27   50  19  19
   12   22   23   1   4   27   50  19  19
    Carside Ave: East 22 West 23   Carside Alarms: East 118 West 120

3   13  22   23   1   4   27   126 19  19  TBOX 663532
   14  22   23   1   4   27   50  19  19
   15  22   23   1   4   27   50  19  19
   16  22   23   1   4   27   422 19  19
   17  23   24   1   4   26   50  19  19
   18  22   23   1   4   27   50  19  19
    Carside Ave: East 22 West 23   Carside Alarms: East 118 West 120

4   19  22   23   1   4   27   124 19  19  UTCX  54589
   20  22   23   1   4   27   50  19  19
   21  22   23   1   4   27   422 19  19
   22  22   23   1   4   27   50  19  19
    Carside Ave: East 22 West 23   Carside Alarms: East 118 West 120

5   23  23   24   1   4   26   121 19  19  GPFX  10816
   24  22   23   1   4   27   50  19  19
   25  22   23   1   4   27   423 19  19
   26  22   23   1   4   27   50  19  19
    Carside Ave: East 22 West 23   Carside Alarms: East 118 West 120
      .
      .
      .

```

The Train Detail report is divided into three sections. The header section contains general information about the site (like the MP/KP) and some detail information about the specific train (like the train's exit speed) that passed the site. The detail section contains more detailed information (like the car number) about the specific train. In between these two sections is the system-events section, which contains all System Alarms and Exception Alarms associated with the train.

The table below lists the fields from the header section and the contents of each field.

Heading	Contents of Field
Train#	The number that identifies the train in the Trains directory.
Date	The date the train arrived at the site. Date is in mm/dd/yy format. Section 4.0 - Serial Interface tells how to change this value using the Date and Time submenu of the Setup menu.
Time	The time the train arrived at the site. Time is in 24-hour hh:mm format, where 8 a.m. is 08:00, noon is 12:00, 8 p.m. is 20:00, and midnight is 00:00. Section 4.0 - Serial Interface tells how to change this value using the Date and Time submenu of the Setup menu.
Length	The length of train in feet.
Speed	The train's minimum, maximum, average, and exit speeds in miles per hour.
Axles	The total number of axles counted by the SmartScanNG ² system.
Direction	The direction the train was traveling. Valid values are North, South, East, and West.
Shutters Open	The number of seconds it took the train to pass over the site.
MP/KP	The five-digit milepost/kilometer post of the site. Section 4.0 - Serial Interface tells how to change this value using the MP/KP submenu of the Setup menu.
Track	The track designator of the site. For single-track sites, the value is Single. For double-track sites, valid values are North, South, East, West, Main 1, Main 2, Main 3, and Middle. Section 4.0- Serial Interface tells how to set this value using the Track Number submenu of the Setup menu.
Temperature	The ambient temperature at the time the train arrived at the site. Temperature is in degrees Fahrenheit.
Battery	The system battery voltage at the time the train passed the site.
Brng	Location of the bearing scanners. If the track orientation is east and west, the bearing scanners are labeled north and south. If the track orientation is north and south, they are labeled east and west.
Max	The maximum temperature, above the ambient temperature in degrees Fahrenheit, recorded by the bearing scanner on a given railside. For example, if the ambient temperature (at the time the train arrived at the site) is 77°F (25°C) and the value in this field is 112, the maximum temperature would be 189°F (87.2°C).
Avg	The average temperature, above the ambient temperature in degrees Fahrenheit, calculated from all recorded temperatures from the bearing scanner on a given railside. For example, if the ambient temperature (at the time the train arrived at the site) is 86°F (30°C) and the value in this field is 55, the average temperature would be 141°F (60.6°C).

Heading	Contents of Field
Resistor Read	The scanner resistor temperature (read after train passage), in degrees Fahrenheit, recorded by the bearing scanner on a given railside.
Resistor Req	The resistor temperature, in degrees Fahrenheit, required by the bearing scanner on a given railside to avoid a Cold Resistor alarm. This value was calculated using the amount of time the shutters were open and the Resistor Test Mode option in effect at the time the train exits the site. If the Resistor Test Mode option is <u>disabled</u> , a zero appears in this field.
	<p>One of five uppercase letters follows the Resistor Req temperature.</p> <ul style="list-style-type: none"> B The baseline resistor integrity test method was used for this train. D The resistor integrity test (that is, the Resistor Test Mode option) was disabled by the user. I The interim resistor integrity test method was used for this train. T For this train, the shutters were open for less than 30 seconds. V For this train, the battery voltage (measured with the shutters open) was less than 12.5 volts. <p>For D, T, and V, the required resistor heat is set to zero (that is, a zero appears in the Resistor Read field). A T or V indicates that the integrity test was not performed due to low voltage or insufficient shutter open time, which could result in an invalid resistor integrity test if it was performed.</p>
CF	The percentage difference between the required resistor value and the value that was actually read. For example, if the required resistor temperature is 180 and the actual resistor temperature is 135 the correction factor would be 25% ($1 - (135 / 180) = .25$), and 25 would appear in this field.
Txdr Counts	The gating transducer designator (either TO1 or TO2) followed by the total number of hits on that transducer.
Alarm Limit	<p>The Hotwheel alarm level; the Hotbox alarm levels for Absolute and Differential, and the Cold Rail Temperature offset. These values were in place at the time the train arrived at the site.</p> <ul style="list-style-type: none"> • The value after Absolute is set by the Absolute option on the Alarm Settings menu. • The value after Differential is set by the Differential option on the Alarm Settings menu. • The value after Hot Wheel is set by the Hotwheel option on the Alarm Settings menu. • The value after Cold Rail Temp is set by the Cold Rail Temperature option on the Alarm Settings menu. <p>Section 4.0 - Serial Interface tells how to set these values.</p>

Heading	Contents of Field
Carside Parm	<p>The Carside Slope alarm parameter values that were in place at the time the train arrived at the site.</p> <ul style="list-style-type: none"> • The value after Carside Slope is set by the Carside Slope option on the Alarm Settings menu. • The value after Minimum is set by the Carside Minimum option on the Alarm Settings menu. <p>Section 4.0 - Serial Interface tells how to set these values.</p>
Resistor Test Mode	<p>The status of the post-train resistor integrity test at the time the train arrived at the site. Valid values (aka modes) are Enabled, Reduced, and Disabled. Section 4.0 - Serial Interface tells how to set this value using the Resistor Test Mode option on the Equipment Settings menu.</p>
Wheel	<p>The location of the wheel scanners. If the track orientation is east and west, the wheel scanners are labeled north and south. If the track orientation is north and south, they are labeled east and west. This field only appears when Hotwheel alarm reporting is <u>enabled</u> using the Hotwheel option on the Equipment Settings menu.</p>
Max	<p>The maximum temperature, above the ambient temperature in degrees Fahrenheit, recorded by the wheel scanner on a given raiiside. This field only appears when Hotwheel alarm reporting is <u>enabled</u> using the Hotwheel option on the Equipment Settings menu.</p>
Avg	<p>The average temperature, above the ambient temperature in degrees Fahrenheit, calculated from all recorded temperatures from the wheel scanner on a given raiiside. This field only appears when Hotwheel alarm reporting is <u>enabled</u> using the Hotwheel option on the Equipment Settings menu.</p>
Resistor Read	<p>The scanner resistor temperature (read after train passage), in degrees Fahrenheit, recorded by the wheel scanner on a given raiiside. This field only appears when Hotwheel alarm reporting is <u>enabled</u> using the Hotwheel option on the Equipment Settings menu.</p>
Resistor Req	<p>The resistor temperature, in degrees Fahrenheit, required by the wheel scanner on a given raiiside to avoid a Cold Wheel Scanner Resistor alarm. This value was calculated using the amount of time the shutters were open and the Resistor Test Mode option in effect at the time the train exits the site. If the Resistor Test Mode option is <u>disabled</u>, a zero appears in this field. This field only appears when Hotwheel alarm reporting is <u>enabled</u> using the Hotwheel option on the Equipment Settings menu.</p>

Heading	Contents of Field
	<p>One of five uppercase letters follows the Resistor Req temperature.</p> <ul style="list-style-type: none"> B The baseline resistor integrity test method was used for this train. D The resistor integrity test (that is, the Resistor Test Mode option) was disabled by the user. I The interim resistor integrity test method was used for this train. T For this train, the shutters were open for less than 30 seconds. V For this train, the battery voltage (measured with the shutters open) was less than 12.5 volts. <p>For D, T, and V, the required resistor heat is set to zero (that is, a zero appears in the Resistor Read field). A T or V indicates that the integrity test was not performed due to low voltage or insufficient shutter open time, which could result in an invalid resistor integrity test if it was performed.</p>
CF	The percentage difference between the required resistor value and the value that was actually read. For example, if the required resistor temperature is 180 and the actual resistor temperature is 135 the correction factor would be 25% ($1 - (135 / 180) = .25$), and 25 would appear in this field.
AEI System Data	The number of AEI tags read (by antenna0 and antenna1) and the total number of tags stored for the train. Where both tags of a tag pair are operational, each antenna will read one tag of the pair. The total number of tags stored represents the number of tag pairs found plus those single tags that lack a match. This heading and the columns under it appear only when the AEI subsystem is <u>enabled</u> using the AEI option on the Equipment Settings menu.
Firmware Versions	The version numbers of the firmware and their release dates, which are in mm/dd/yy format. This firmware resides on the processor modules.

The table below lists the fields from the system-events section and the contents of each field.

Heading	Contents of Field
System Alarms	Lists any System Alarms and Integrity Failures detected at the time the train passed the site. If none were detected, this header is followed by the word "none." Appendix A - System Alarms describes the conditions and events that the system flags as System Alarms. Appendix B - Integrity Failures describes the conditions and events that the system flags as Integrity Failures.
Axle Alarm Summary	Lists each Exception Alarm found on the train and the axle on which it was found. If none were found, this header is followed by the word "none."

The table below lists the fields from the detail section and the contents of each field.

Heading	Contents of Field
Car	The car number as determined by the firmware.
Axle	The axle number.
Trk	The truck number. Each railroad vehicle has two or more trucks (that is, wheel assemblies). The trucks are numbered, starting with 0, and increasing from the beginning of the train to the end. Each axle record is associated with one of these trucks. The axles are assigned the number of the truck with which they've been associated. These assigned truck numbers appear in this field. If the Hotwheel option on the Equipment Settings menu is <u>enabled</u> , this field doesn't appear.
Rail	Under this heading are two columns, one for each bearing scanner, containing the temperature read by the bearing scanners. If the track orientation is east and west, the bearing scanners are labeled north and south. If the track orientation is north and south, they are labeled east and west. If the Hotwheel option on the Equipment Settings menu is <u>disabled</u> , the word "Rail" doesn't appear, but the two columns do.
Wheel	Under this heading are two columns, one for each wheel scanner, containing the temperature read by the wheel scanners. If the track orientation is east and west, the wheel scanners are labeled north and south. If the track orientation is north and south, they are labeled east and west. This heading and the two columns under it appear only when the Hotwheel option on the Equipment Settings menu is <u>enabled</u> .
ON	The number of milliseconds a bearing was scanned.
OFF	The number of milliseconds between axles (when no axle was between the gating transducers).
PW1	The recorded width of the pulse generated by gating transducer TO1. There is no fixed value for the pulse widths. Slower trains generate wider pulse widths (that is, they generate larger values) than faster-moving trains.
PW2	The recorded width of the pulse generated by gating transducer TO2. There is no fixed value for the pulse widths. Slower trains generate wider pulse widths (that is, they generate larger values) than faster-moving trains.
Alarms	Any Exception Alarm found on the given axle.

To produce an extended Train Detail report:

- 1 Using the serial interface, display the Main menu.

Section 4.0 - Serial Interface tells how to display the Main menu. The Main menu looks like this.

```
Main Menu - Comm
-----
[A] - Train Summary
[B] - Train Detail
[C] - Exception Summary
[D] - Exception Detail
[E] - System Status Report
      .
      .
      .
```

- 2 Select **Train Detail**.

This prompt appears.

```
Enter Train Number:
```

- 3 Type the train number.
- 4 If you typed one or two digits, press **[Enter]**.

This prompt appears.

```
Abbreviated? (y/n)
```

- 5 Type **N** to produce an extended Train Detail report.
- 6 To exit the serial interface and return the SmartScanNG² system to normal operation, type **X**.

6.3 Train Detail Report (Abbreviated)

The abbreviated Train Detail report is like the extended Train Detail report. However, the abbreviated report doesn't display all the recorded axle data. It only displays axle data for:

- The car immediately preceding a car with an alarmed axle.
- The car containing the alarmed axle.
- The car immediately following the car with the alarmed axle.

Like the extended Train Detail report, the abbreviated Train Detail report is divided into three sections. The header section contains general information about the site (like the MP/KP) and some detail information about the specific train (like the train's exit speed) that passed the site. The detail section contains more detailed information (like the car number) about the specific train. In between these two sections is the system events section, which contains all System Alarms and Exception Alarms associated with the train.

Southern Technologies Corporation
Next Generation Detector System
TRAIN DETAIL
ABBREVIATED

```

=====
Train#:      5           Axles: 110       Speed (kph)      MP/KP: 1233.8
Date: 09/01/23       Cars: 23         Min: 78          Track: West
Time: 07:04          Direction: South  Max: 78          Temperature: +13C
                   Shutters Open: 31  Avg: 78          Battery: 14.4v
                   Length: 459m      Exit: 78
=====

```

```

=====
Scanner      Resistor      Txdr
Max Avg Read Req CF  Counts  Alarm      Limit  Carside Parm
-----
East Brng  22  22    0  69B 100  TO1 110  Absolute   180  Slope:  1.31
West Brng 174  24    0 149B 100  TO2 110  Differential 75  Minimum:  90
East Whl   1   1    0  48B 100                N/E Hot Wheel 500
West Whl   4   4    4 141B  97                S/W Hot Wheel 500
                                           Cold Rail Temp 10
=====

```

Resistor Test Mode: Enabled

Software Version: EX_01-00 2020-10-28

AEI System Data

Tags Read Tags Stored: 45

Antenna 0: 23
Antenna 1: 22

System Alarms

None

Integrity Failures

None

Axle Alarm Summary

Axle 26 West Rail Differential

Announcements made

```

" detector at kilometer post 1 2 3 3 point 8 west track "
" detector at kilometer post 1 2 3 3 point 8 west track you have a defect "
" detector at kilometer post 1 2 3 3 point 8 west track hot box west rail axle 2 6 total axles 1 1 0 "
" detector at kilometer post 1 2 3 3 point 8 west track hot box west rail axle 2 6 total axles 1 1 0
detector out "
=====

```

Car	Axle	Rail		Wheel		ON	OFF	PW1	PW2	Alarms
		East	West	East	West					
4	19	22	23	1	4	27	114	20	19	UTCX 54589
	20	22	23	1	4	27	49	19	19	
	21	22	23	1	4	27	422	20	19	
	22	22	23	1	4	27	49	20	19	
Carside Ave:		East	22	West	23	Carside Alarms: East 118 West 120				
5	23	22	23	1	4	27	113	20	19	GPFX 10816
	24	22	23	1	4	27	49	20	19	
	25	22	23	1	4	27	422	20	19	
B	26	22	174	1	4	27	49	20	19	West Rail Differential
	Carside Ave:		East	22	West	23	Carside Alarms: East 118 West 120			
6	27	22	23	1	4	27	113	20	19	SKSX 101060
	28	22	23	1	4	27	49	20	19	
	29	22	23	1	4	27	422	20	19	
	30	22	23	1	4	27	49	20	19	
Carside Ave:		East	22	West	23	Carside Alarms: East 118 West 120				

Train Detail - Abbreviated

To produce an abbreviated Train Detail report:

- 1 Using the serial interface, display the Main menu.

Section 4.0 - Serial Interface tells how to display the Main menu. The Main menu looks like this.

```
Main Menu - Comm
-----
[A] - Train Summary
[B] - Train Detail
[C] - Exception Summary
[D] - Exception Detail
[E] - System Status Report
      .
      .
```

- 2 Select **Train Detail**.

This prompt appears.

```
Enter Train Number:
```

- 3 Type the train number.
- 4 If you typed one or two digits, press **[Enter]**.

This prompt appears.

```
Abbreviated? (y/n)
```

- 5 Type **Y** to produce an abbreviated Train Detail report.
- 6 To exit the serial interface and return the SmartScanNG² system to normal operation, type **X**.

6.4 Exception Summary Report

The Exception Summary report lists all trains currently stored in the Exceptions directory. (A train is stored in the Exceptions directory if either an Exception Alarm or an Integrity Failure was detected on it as it passed the site.) A train number is shown for each train entry so that an Exception Detail report may easily be produced for any train listed on the summary.

The report is divided into a header section and a detail section. The header section contains general information about the site. The detail section contains summary information on each exception train (that is, on each train having an Exception Alarm, an Integrity Failure, or both) that passed the site.

Below is a sample of part of an Exception Summary report when Hotwheel alarm detection was disabled during report processing and when the AEI subsystem was disabled during train passage. (When the report is run, if the Hotwheel option on the Equipment Settings menu is disabled, the hotwheel information is hidden. When the report is run, if the AEI option is disabled, the tag information isn't hidden.) The contents of your report will be different. The version information in the sample below is for illustrative purposes only. It doesn't represent any real release of the firmware.

```

Southern Technologies Corporation
Next Generation Detector System
EXCEPTION SUMMARY
=====
Software Version: EX_01-05 2023-08-08                      MP/KP: 1234.5
                                                         Track: North

Current Alarm Settings
Absolute..... 150   Carside Slope... 1.31
Differential.. 255   Minimum..... 90
N/E Hot Wheel. 500   Cold Rail Temp.. 10
S/W Hot Wheel. 500
Total Trains: 20
=====

```

Train#	Ref#	Date	Time	Cars	Axles	T01	T02	D i r	Speed Min Max Xit	Bearing Average East West	Bearing Maximum East West	Amb Temp	Bat
19	B	19 09/11/23	05:08	67	272	272	272	S	6 30 10	23 21	48 49	+24F	13.0v
18	B	18 09/11/23	04:13	68	276	276	276	N	24 33 32	15 13	29 30	+27F	13.1v
17	B	17 09/11/23	03:51	52	332	332	332	N	23 36 36	15 14	35 39	+27F	13.0v
16	B	16 09/11/23	03:14	131	530	530	530	N	9 29 29	8 5	27 20	+27F	13.0v
15	B	15 09/11/23	01:26	49	318	318	318	S	7 11 8	17 16	34 31	+27F	13.1v
14	B	14 09/11/23	00:49	75	304	304	304	S	5 14 9	19 17	36 34	+26F	13.0v
13	B	13 09/11/23	00:08	85	346	346	346	N	21 32 32	17 16	40 30	+27F	12.9v

The table below lists the fields from the header section and the contents of each field.

Heading	Contents of Field
Version Info	The version numbers of the firmware and their release dates, which are in mm/dd/yy format. This firmware resides on the processor modules.
MP/KP	The five-digit milepost/kilometer post of the site. Section 4.0 - Serial Interface tells how to change this value using the MP/KP submenu.
Track	The track designator of the site. For single-track sites, the value is Single. For double-track sites, valid values are North, South, East, West, Main 1, Main 2, Main 3, and Middle. Section 4.0 - Serial Interface tells how to set this value using the Track Number submenu of the Setup menu.
Alarm Limits	<p>The alarm parameters currently defined in the system setup. These values were in place at the time this report was run.</p> <ul style="list-style-type: none"> • The value after Absolute is set by the Absolute option on the Alarm Settings menu. • The value after Differential is set by the Differential option on the Alarm Settings menu. • The heading Hot Wheel only appears when the Hotwheel option on the Equipment Settings menu is enabled. The value after Hot Wheel is set by the Hotwheel option on the Alarm Settings menu. • The value after Carside Slope is set by the Carside Slope option on the Alarm Settings menu. • The value after Minimum is set by the Carside Minimum option on the Alarm Settings menu. • The value after Cold Rail Temp is set by the Cold Rail Temperature option on the Alarm Settings menu. <p>Section 4.0 - Serial Interface tells how to set these values.</p>
Total Trains	The total number of trains visiting the site since the Trains directory was last cleared.

The table below lists the fields from the detail section and the contents of each field.

Heading	Contents of Field
Train#	The number that identifies the train in the Exceptions directory.
	There is one unlabeled column between those labeled "Train#" and "Date." This column can contain A, B, I, S , or nothing. If "A," an Exception Alarm was detected on the train. If "I," an Integrity Failure was detected. If "B," both an Exception Alarm and an Integrity Failure were detected. If "S," a System Alarm was detected, but Exception Alarms and Integrity Failures weren't. If blank, no Exception Alarm, Integrity Failure, or System Alarm was detected.
Date	The date the train arrived at the site. Date is in mm/dd/yy format. Section 4.0 - Serial Interface tells how to change this value using the Date and Time submenu of the Setup menu.
Time	The time the train arrived at the site. Time is in 24-hour hh:mm format, where 8 a.m. is 08:00, noon is 12:00, 8 p.m. is 20:00, and midnight is 00:00. Section 4.0 - Serial Interface tells how to change this value using the Date and Time submenu of the Setup menu.
Cars	The total number of cars counted by the SmartScanNG ² system.
Axles	The total number of axles counted by the SmartScanNG ² system.
TO1	The total number of hits counted by gating transducer TO1. TO1 is the first gating transducer going north or east from the bearing scanner. It is the gating transducer <u>closest</u> to the bearing scanner.
TO2	The total number of hits counted by gating transducer TO2. TO2 is the second gating transducer going north or east from the bearing scanner. It is the gating transducer <u>farthest</u> from the bearing scanner.
AEI Tags	The total number of AEI tags stored. The number of tag pairs found plus those single tags that lack a match. This heading always appears, even if the AEI subsystem is disabled using the AEI option on the Equipment Settings menu.
Speed (mph)	The train's exit speed in miles per hour.
Dir	The direction the train was traveling. Valid values are N, S, E, and W.
Bearing Average	Under this heading are two columns, one for each bearing scanner, containing the average temperature read by the bearing scanners. If the track orientation is east and west, the bearing scanners are labeled north and south. If the track orientation is north and south, they are labeled east and west.
Wheel Maximum	Under this heading are two columns, one for each wheel scanner, containing the maximum temperature read by the wheel scanners. If the track orientation is east and west, the wheel scanners are labeled north and south. If the track orientation is north and south, they are labeled east and west. This field appears only when the Hotwheel option on the Equipment Settings menu is enabled.
Amb Temp	The ambient temperature, in degrees Fahrenheit, at the time the train arrived at the site.
Bat	The system battery voltage at the time the train passed the site.

To produce an Exception Summary report:

- 1 Using the serial interface, display the Main menu.

Section 4.0 - Serial Interface tells how to display the Main menu. The Main menu looks like this.

```
Main Menu - Comm
-----
[A] - Train Summary
[B] - Train Detail
[C] - Exception Summary
[D] - Exception Detail
[E] - System Status Report
      .
      .
      .
```

- 2 Select the **Exception Summary** report.
- 3 To exit the serial interface and return the SmartScanNG² system to normal operation, type **X**.

6.5 Exception Detail Report

The Exception Detail report provides detailed information on a single train. When choosing this report, you'll be prompted for a train number. When prompted, enter a train number from the Exception Summary report. The train number appears under the column titled "Train#" in the detail section of the Exception Summary report.

Carside Slope alarm detection is enabled/disabled using the Carside Slope option on the Equipment Settings menu. Hotwheel alarm reporting is enabled/disabled using the Hotwheel option on the Equipment Settings menu. The AEI subsystem is enabled/disabled using the AEI option on the Equipment Settings menu.

Where wheel scanners are properly installed, wheel temperatures are always recorded, even if the Hotwheel option is disabled. On the other hand, if the AEI option is disabled during train passage, no AEI information is recorded. If the Carside Slope option is disabled during train passage, no Carside Slope alarms are generated. But, if it is enabled at the time a report is requested, a carside-slope alarm-limit line is generated for each car of the train.

Below is a sample of part of an Exception Detail report when both the Hotwheel option and Carside Slope option were enabled at the time the report was requested. The AEI option was disabled. The contents of your report will be different. The version information in the sample below is for illustrative purposes only. It doesn't represent any real release of the firmware.

```

Southern Technologies Corporation
Next Generation Detector System
EXCEPTION DETAIL
=====
Train#: 5 Axles: 110 Speed (kph) MP/KP: 1233.8
Date: 09/01/23 Cars: 23 Min: 78 Track: West
Time: 07:04 Direction: South Max: 78 Temperature: +13C
Shutters Open: 31 Avg: 78 Battery: 14.4v
Length: 459m Exit: 78
=====
Scanner Resistor Txdr Alarm Limit Carside Parm
Max Avg Read Req CF Counts
-----
East Brng 22 22 0 69B 100 TO1 110 Absolute 180 Slope: 1.31
West Brng 174 24 0 149B 100 TO2 110 Differential 75 Minimum: 90
East Whl 1 1 0 48B 100 N/E Hot Wheel 500
West Whl 4 4 4 141B 97 S/W Hot Wheel 500
Cold Rail Temp 10

Resistor Test Mode: Enabled
=====
Software Version: EX_01-05 2023-08-08
=====
AEI System Data

Tags Read Tags Stored: 45
-----
Antenna 0: 23
Antenna 1: 22

-----
System Alarms

None

-----
Integrity Failures

None

-----
Axle Alarm Summary

Axle 26 West Rail Differential
.
.
.

(continued on next page)

```



```

      .
      .
      .
-----
Announcements made

" detector at kilometer post 1 2 3 3 point 8 west track "
" detector at kilometer post 1 2 3 3 point 8 west track you have a defect "
" detector at kilometer post 1 2 3 3 point 8 west track hot box west rail axle 2 6 total
axles 1 1 0 "
" detector at kilometer post 1 2 3 3 point 8 west track hot box west rail axle 2 6 total
axles 1 1 0 detector out "
-----
      Rail      Wheel
Car Axle  East  West  East  West  ON   OFF PW1 PW2  Alarms
-----
1   1   22   23   1   4   27   70  19  19  CSXT   729
    2   22   23   1   4   27   49  20  19
    3   22   23   1   4   27   49  19  19
    4   22   23   1   4   27   422 20  19
    5   22   23   1   4   27   49  20  19
    6   22   23   1   4   27   49  19  19
    Carside Ave: East 22 West 23   Carside Alarms: East 118 West 120

2   7   22   23   1   4   27   115 19  19  TBOX 667179
    8   22   23   1   4   27   49  20  19
    9   22   23   1   4   27   49  19  19
    10  22   23   1   4   27   422 20  19
    11  22   23   1   4   27   49  20  19
    12  22   23   1   4   27   49  19  19
    Carside Ave: East 22 West 23   Carside Alarms: East 118 West 120

3   13  22   23   1   4   27   115 20  19  TBOX 663532
    14  22   23   1   4   27   49  19  19
    15  22   23   1   4   27   49  20  19
    16  22   23   1   4   27   422 20  19
    17  22   23   1   4   27   49  20  19
    18  22   23   1   4   27   49  19  19
    Carside Ave: East 22 West 23   Carside Alarms: East 118 West 120

4   19  22   23   1   4   27   114 20  19  UTCX 54589
    20  22   23   1   4   27   49  19  19
    21  22   23   1   4   27   422 20  19
    22  22   23   1   4   27   49  20  19
    Carside Ave: East 22 West 23   Carside Alarms: East 118 West 120

5   23  22   23   1   4   27   113 20  19  GPFX 10816
    24  22   23   1   4   27   49  20  19
    25  22   23   1   4   27   422 20  19
B   26  22  174   1   4   27   49  20  19  West Rail Differential
    Carside Ave: East 22 West 23   Carside Alarms: East 118 West 120

      .
      .
      .

```

The extended Exception Detail report is divided into three sections. The header section contains general information about the site (like the MP/KP) and some detail information about the specific train (like the train's exit speed) that passed the site. The detail section contains more detailed information (like the car number) about the specific train. In between these two sections is the system-events section, which contains all System Alarms and Exception Alarms associated with the train.

The table below lists the fields from the header section and the contents of each field.

Heading	Contents of Field
Train#	The number that identifies the train in the Exceptions directory.
Date	The date the train arrived at the site. Date is in mm/dd/yy format. Section 4.0 - Serial Interface tells how to change this value using the Date and Time submenu of the Setup menu.
Time	The time the train arrived at the site. Time is in 24-hour hh:mm format, where 8 a.m. is 08:00, noon is 12:00, 8 p.m. is 20:00, and midnight is 00:00. Section 4.0 - Serial Interface tells how to change this value using the Date and Time submenu of the Setup menu.
Length	The length of train in feet.
Speed	The train's exit speed in miles per hour.
Axles	The total number of axles counted by the SmartScanNG ² system.
Direction	The direction the train was traveling. Valid values are North, South, East, and West.
Shutters Open	The number of seconds it took the train to pass over the site.
MP/KP	The five-digit milepost/kilometer post of the site. Section 4.0 - Serial Interface tells how to change this value using the MP/KP submenu.
Track	The track designator of the site. For single-track sites, the value is Single. For double-track sites, valid values are North, South, East, West, Main 1, Main 2, Main 3, and Middle. Section 4.0 - Serial Interface tells how to set this value using the Track Number submenu of the Setup menu.
Temperature	The ambient temperature at the time the train arrived at the site. Temperature is in degrees Fahrenheit.
Battery	The system battery voltage at the time the train passed the site.
Rail	Location of the bearing scanners. If the track orientation is east and west, the bearing scanners are labeled north and south. If the track orientation is north and south, they are labeled east and west
Max	The maximum temperature, above the ambient temperature in degrees Fahrenheit, recorded by the bearing scanner on a given rai-side. For example, if the ambient temperature (at the time the train arrived at the site) is 77°F (25°C) and the value in this field is 112, the maximum temperature would be 189°F (87.2°C).
Avg	The average temperature, above the ambient temperature in degrees Fahrenheit, calculated from all recorded temperatures from the bearing scanner on a given rai-side. For example, if the ambient temperature (at the time the train arrived at the site) is 86°F (30°C) and the value in this field is 55, the average temperature would be 141°F (60.6°C).

Heading	Contents of Field
Resistor Read	The scanner resistor temperature (read after train passage), in degrees Fahrenheit, recorded by the bearing scanner on a given railside.
Resistor Req	The resistor temperature, in degrees Fahrenheit, required by the bearing scanner on a given railside to avoid a Cold Resistor alarm. This value was calculated using the amount of time the shutters were open and the Resistor Test Mode option in effect at the time the train exits the site. If the Resistor Test Mode option is <u>disabled</u> , a zero appears in this field.
	<p>One of five uppercase letters follows the Resistor Req temperature.</p> <ul style="list-style-type: none"> B The baseline resistor integrity test method was used for this train. D The resistor integrity test (that is, the Resistor Test Mode option) was disabled by the user. I The interim resistor integrity test method was used for this train. T For this train, the shutters were open for less than 30 seconds. V For this train, the battery voltage (measured with the shutters open) was less than 12.5 volts. <p>For D, T, and V, the required resistor heat is set to zero (that is, a zero appears in the Resistor Read field). A T or V indicates that the integrity test was not performed due to low voltage or insufficient shutter open time, which could result in an invalid resistor integrity test if it was performed.</p>
CF	The percentage difference between the required resistor value and the value that was actually read. For example, if the required resistor temperature is 180 and the actual resistor temperature is 135 the correction factor would be 25% ($1 - (135 / 180) = .25$), and 25 would appear in this field.
Txdr Counts	The gating transducer designator (either TO1 or TO2) followed by the total number of hits on that transducer.
Alarm Limit	<p>The Hotwheel alarm level; the Hotbox alarm levels for Absolute and Differential; and the Cold Rail Temperature offset. These values were in place at the time the train arrived at the site.</p> <ul style="list-style-type: none"> • The value after Absolute is set by the Absolute option on the Alarm Settings menu. • The value after Differential is set by the Differential option on the Alarm Settings menu. • The value after Hot Wheel is set by the Hotwheel option on the Alarm Settings menu. • The value after Cold Rail Temp is set by the Cold Rail Temperature option on the Alarm Settings menu. <p>Section 4.0 - Serial Interface tells how to set these values.</p>

Heading	Contents of Field
Carside Params	<p>The Carside Slope alarm parameter values that were in place at the time the train arrived at the site.</p> <ul style="list-style-type: none"> • The value after Carside Slope is set by the Carside Slope option on the Alarm Settings menu. • The value after Minimum is set by the Carside Minimum option on the Alarm Settings menu. <p>Section 4.0 - Serial Interface tells how to set these values.</p>
Resistor Test Mode	<p>The status of the post-train resistor integrity test at the time the train arrived at the site. Valid values (aka modes) are Enabled, Reduced, and Disabled. Section 4.0 - Serial Interface tells how to set this value using the Resistor Test Mode option on the Equipment Settings menu.</p>
Wheel	<p>The location of the wheel scanners. If the track orientation is east and west, the wheel scanners are labeled north and south. If the track orientation is north and south, they are labeled east and west. This field only appears when Hotwheel alarm reporting is <u>enabled</u> using the Hotwheel option on the Equipment Settings menu.</p>
Max	<p>The maximum temperature, above the ambient temperature in degrees Fahrenheit, recorded by the wheel scanner on a given raiiside. This field only appears when Hotwheel alarm reporting is <u>enabled</u> using the Hotwheel option on the Equipment Settings menu.</p>
Avg	<p>The average temperature, above the ambient temperature in degrees Fahrenheit, calculated from all recorded temperatures from the wheel scanner on a given raiiside. This field only appears when Hotwheel alarm reporting is <u>enabled</u> using the Hotwheel option on the Equipment Settings menu.</p>
Resistor Read	<p>The scanner resistor temperature (read after train passage), in degrees Fahrenheit, recorded by the wheel scanner on a given raiiside. This field only appears when Hotwheel alarm reporting is <u>enabled</u> using the Hotwheel option on the Equipment Settings menu.</p>
Resistor Req	<p>The resistor temperature, in degrees Fahrenheit, required by the wheel scanner on a given raiiside to avoid a Cold Wheel Scanner Resistor alarm. This value was calculated using the amount of time the shutters were open and the Resistor Test Mode option in effect at the time the train exits the site. If the Resistor Test Mode option is <u>disabled</u>, a zero appears in this field. This field only appears when Hotwheel alarm reporting is <u>enabled</u> using the Hotwheel option on the Equipment Settings menu.</p>

Heading	Contents of Field
	<p>One of five uppercase letters follows the Resistor Req temperature.</p> <ul style="list-style-type: none"> B The baseline resistor integrity test method was used for this train. D The resistor integrity test (that is, the Resistor Test Mode option) was disabled by the user. I The interim resistor integrity test method was used for this train. T For this train, the shutters were open for less than 30 seconds. V For this train, the battery voltage (measured with the shutters open) was less than 12.5 volts. <p>For D, T, and V, the required resistor heat is set to zero (that is, a zero appears in the Resistor Read field). A T or V indicates that the integrity test was not performed due to low voltage or insufficient shutter open time, which could result in an invalid resistor integrity test if it was performed.</p>
CF	The percentage difference between the required resistor value and the value that was actually read. For example, if the required resistor temperature is 180 and the actual resistor temperature is 135 the correction factor would be 25% ($1 - (135 / 180) = .25$), and 25 would appear in this field.
AEI System Data	The number of AEI tags read (by antenna0 and antenna1) and the total number of tags stored for the train. Where both tags of a tag pair are operational, each antenna will read one tag of the pair. The total number of tags stored represents the number of tag pairs found plus those single tags that lack a match. This heading and the columns under it appear only when the AEI subsystem is <u>enabled</u> using the AEI option on the Equipment Settings menu.
Firmware Versions	The version numbers of the firmware and their release dates, which are in mm/dd/yy format. This firmware resides on the processor modules.

The table below lists the fields from the system-events section and the contents of each field.

Heading	Contents of Field
System Alarms	Lists any System Alarms and Integrity Failures detected at the time the train passed the site. If none were detected, this header is followed by the word "none." Appendix A - System Alarms describes the conditions and events that the system flags as System Alarms. Appendix B - Integrity Failures describes the conditions and events that the system flags as Integrity Failures.
Axle Alarm Summary	Lists each Exception Alarm found on the train and the axle on which it was found. If none were found, this header is followed by the word "none."

The table below lists the fields from the detail section and the contents of each field.

Heading	Contents of Field
Car	The car number as determined by the firmware.
Axle	The axle number.
Trk	The truck number. Each railroad vehicle has two or more trucks (that is, wheel assemblies). The trucks are numbered, starting with 0, and increasing from the beginning of the train to the end. Each axle record is associated with one of these trucks. The axles are assigned the number of the truck with which they've been associated. These assigned truck numbers appear in this field. If the Hotwheel option on the Alarm Settings menu is <u>enabled</u> , this field doesn't appear.
Rail	Under this heading are two columns, one for each bearing scanner, containing the temperature read by the bearing scanners. If the track orientation is east and west, the bearing scanners are labeled north and south. If the track orientation is north and south, they are labeled east and west. If Hotwheel alarm detection is <u>disabled</u> , the word "Rail" doesn't appear, but the two columns do.
Wheel	Under this heading are two columns, one for each wheel scanner, containing the temperature read by the wheel scanners. If the track orientation is east and west, the wheel scanners are labeled north and south. If the track orientation is north and south, they are labeled east and west. This heading and the two columns under it appear only when Hotwheel alarm detection is <u>enabled</u> .
ON	The number of milliseconds a bearing was scanned.
OFF	The number of milliseconds between axles (when no axle was between the gating transducers).
PW1	The recorded width of the pulse generated by gating transducer TO1. There is no fixed value for the pulse widths. Slower trains generate wider pulse widths (that is, they generate larger values) than faster moving trains.
PW2	The recorded width of the pulse generated by gating transducer TO2. There is no fixed value for the pulse widths. Slower trains generate wider pulse widths (that is, they generate larger values) than faster moving trains.
Alarms	Any Exception Alarm found on the given axle.

To produce the extended Exception Detail report:

- 1 Using the serial interface, display the Main menu.

Section 4.0 - Serial Interface tells how to display the Main menu. The Main menu looks like this.

```
Main Menu - Comm
-----
[A] - Train Summary
[B] - Train Detail
[C] - Exception Summary
[D] - Exception Detail
[E] - System Status Report
[F] - Last Train
      .
      .
      .
```

- 2 Select **Exception Detail**.

This prompt appears.

```
Enter Train Number:
```

- 3 Type the train number.

If you typed a three-digit invalid train number, the Main menu reappears. If you typed a three-digit valid train number, the prompt below appears.

- 4 If you typed one or two digits, press **[Enter]**.

If you typed a three-digit invalid train number, the Main menu reappears. If you typed a three-digit valid train number, this prompt appears.

```
Abbreviated? (y/n)
```

- 5 To produce the extended Exception Detail report, type **N**

If you typed an invalid train number, the Main menu reappears. If the typed train number is valid, a report for that train is produced. The last line of the report reads: "END OF REPORT - Press any key..."

- 6 To exit the serial interface and return the SmartScanNG² system to normal operation, type **X**.

6.6 Abbreviated Exception Detail Report

The abbreviated Exception Detail report is like the extended Exception Detail report. However, the abbreviated report doesn't display all the recorded axle data. It only displays axle data for:

- The car immediately preceding a car with an alarmed axle.
- The car containing the alarmed axle.
- The car immediately following the car with the alarmed axle.

For example, assume that a train consisted of 3 locomotives and 20 cars, and Exception Alarms were found on cars 3, 10, 15, and 17. The Abbreviated Exception Detail report for this train would only list axle data for cars 2, 3, 4, 9, 10, 11, 14, 15, 16, 17, and 18. These car numbers comprise the alarmed cars themselves and all cars immediately before and immediately after them.

Like the extended Exception Detail report, the abbreviated Exception Detail report is divided into three sections. The header section contains general information about the site (like the MP/KP) and some detail information about the specific train (like the train's exit speed) that passed the site. The detail section contains more detailed information (like the car number) about the specific train. In between these two sections is the system-events section, which contains all System Alarms and Exception Alarms associated with the train.

Below is a sample of part of an abbreviated Exception Detail report when the AEI option, the Carside Slope option, and the Hotwheel option were all enabled at the time the report was requested. The contents of your report will be different.

Southern Technologies Corporation
 Next Generation Detector System
 EXCEPTION DETAIL
 ABBREVIATED

```

=====
Train#: 5                      Axles: 110          Speed (kph)          MP/KP: 1233.8
Date: 09/01/23                Cars: 23           Min: 78              Track: West
Time: 07:04                    Direction: South   Max: 78              Temperature: +13C
                               Shutters Open: 31 Avg: 78               Battery: 14.4v
                               Length: 459m       Exit: 78
=====
  
```

```

=====
Scanner      Resistor      Txdr
Max Avg Read Req CF      Counts      Alarm      Limit  Carside Parms
-----
East Brng 22 22 0 69B 100  TO1 110    Absolute   180  Slope: 1.31
West Brng 174 24 0 149B 100 TO2 110    Differential 75  Minimum: 90
East Whl 1 1 0 48B 100     N/E Hot Wheel 500
West Whl 4 4 4 141B 97    S/W Hot Wheel 500
                               Cold Rail Temp 10
=====
  
```

Resistor Test Mode: Enabled

Software Version: EX_01-00 2020-10-28

AEI System Data

Tags Read Tags Stored: 45

 Antenna 0: 23
 Antenna 1: 22

 System Alarms

None

 Integrity Failures

None

 Axle Alarm Summary

Axle 26 West Rail Differential

 Announcements made

" detector at kilometer post 1 2 3 3 point 8 west track "
 " detector at kilometer post 1 2 3 3 point 8 west track you have a defect "
 " detector at kilometer post 1 2 3 3 point 8 west track hot box west rail axle 2 6 total axles 1 1 0 "
 " detector at kilometer post 1 2 3 3 point 8 west track hot box west rail axle 2 6 total axles 1 1 0
 detector out "

```

=====
      Rail      Wheel
Car Axle East West East West  ON  OFF PW1 PW2  Alarms
-----
  4  19  22  23   1   4   27  114  20  19  UTCX  54589
     20  22  23   1   4   27   49  19  19
     21  22  23   1   4   27  422  20  19
     22  22  23   1   4   27   49  20  19
     Carside Ave: East 22 West 23  Carside Alarms: East 118 West 120

  5  23  22  23   1   4   27  113  20  19  GPFX  10816
     24  22  23   1   4   27   49  20  19
     25  22  23   1   4   27  422  20  19
  B  26  22  174  1   4   27   49  20  19  West Rail Differential
     Carside Ave: East 22 West 23  Carside Alarms: East 118 West 120

  6  27  22  23   1   4   27  113  20  19  SKSX  101060
     28  22  23   1   4   27   49  20  19
     29  22  23   1   4   27  422  20  19
     30  22  23   1   4   27   49  20  19
     Carside Ave: East 22 West 23  Carside Alarms: East 118 West 120
=====
  
```

To produce the abbreviated Exception Detail report:

- 1 Using the serial interface, display the Main menu.

Section 4.0 - Serial Interface tells how to display the Main menu. The Main menu looks like this.

```
Main Menu - Comm
-----
[A] - Train Summary
[B] - Train Detail
[C] - Exception Summary
[D] - Exception Detail
[E] - System Status Report
[F] - Last Train
      .
      .
      .
```

- 2 Select **Exception Detail**.

This prompt appears.

```
Enter Train Number:
```

- 3 Type the train number.

If you typed a three-digit invalid train number, the Main menu reappears. If you typed a three-digit valid train number, the prompt below appears.

- 4 If you typed one or two digits, press **[Enter]**.

If you typed a three-digit invalid train number, the Main menu reappears. If you typed a three-digit valid train number, this prompt appears.

```
Abbreviated? (y/n)
```

- 5 To produce the abbreviated Exception Detail report, type **Y**

If you typed an invalid train number, the Main menu reappears. If the typed train number is valid, a report for that train is produced. The last line of the report reads: "END OF REPORT - Press any key..."

- 6 To exit the serial interface and return the SmartScanNG² system to normal operation, type **X**.

6.7 Last Train Report

The Last Train report is identical to the Train Detail report, except for this report; you don't specify a train. A report on the most current train is produced.

To produce a Last Train report:

- 1 Using the serial interface, display the Main menu.

Section 4.0 - Serial Interface tells how to display the Main menu. The Main menu looks like this.

```
      .
      .
[D] - Exception Detail
[E] - System Status Report
[F] - Last Train
[G] - Train DSRs
[H] - AEI Diagnostic
      .
      .
```

- 2 Select Last Train to produce the report.

This prompt appears.

```
Abbreviated? (y/n)
```

- 3 To produce the abbreviated Last Train report, type **Y**. To produce an extended Last Train report, type **N**.
- 4 To exit the serial interface and return the SmartScanNG² system to normal operation, type **X**.

6.8 Train DSRs

Train DSR (Dynamic Scan Rate) records store those temperature samples collected by a scanner that exceed the warm-bearing or warm-wheel trigger level. Only 16 bearing-related and 16 wheel-related DSR records are kept per train. When prompted, type a train number from the Train Summary report. The train number appears under the column titled "Train#" in the detail section of that report. Those trains with DSR records will have a single character status code in column A (see Section 6.1) of the Train Summary Report.

1 Using the serial interface, display the Main menu.

```
Main Menu - Comm
-----
      .
      .
[F] - Last Train
[G] - Train DSRs
[H] - AEI Diagnostic
      .
      .
```

2 Select Train DSRs.

A prompt like this appears:

```
Enter train number:
```

3 Enter the number of the selected train. A prompt like this appears:

```
Exception train? (y/n)
```

For ease of reference, the example below uses DSR sample values of 1 through 96.

```
Enter train number: 0403
Is train from Exception Summary report? (y/n)
Separate by gate period? (y/n)

Warmest 16 Bearing DSRs:
Axle 7, South Bearing Scanner: 1,2,3 . . . 94,95,96
Axle 8, North Bearing Scanner: 1,2,3 . . . 94,95,96

Warmest 16 Wheel DSRs:
Axle 9, North Wheel Scanner: 1,2,3 . . . 94,95,96
Axle 10, South Wheel Scanner: 1,2,3 . . . 94,95,96
```

- 4 In addition to separating axles with a blank line and showing whether DSR samples correspond to a bearing or wheel scanner, the report supports grouping DSR samples by gate period. Displaying an axle's 96 DSR samples by gate period separates the recorded values into three groups:
- **Pre-gate:** The 24 samples (1-24) recorded immediately before an axle passes between the transducers.
 - **In-gate:** The 48 samples (25-72) recorded as an axle passes between the transducers.
 - **Post-gate:** The 24 samples (73-96) recorded immediately after an axle passes between the transducers.

To display DSR samples in the firmware's original, single-line format, answer 'N' to the new "Separate by gate period? (y/n)" prompt. (For ease of reference, the examples use DSR sample values of 1 through 96.)

```
Main Menu - Comm
-----
[A] - Train Summary
. . .
[H] - Train DSRs
. . .
[X] - Exit

Enter train number: 0403
Exception train? (y/n)
Separate by gate period? (y/n)

Warmest 16 Bearing DSRs:

Axle 1, Bearing Scanner 1: 1,2,3 . . . 94,95,96

Axle 6, Bearing Scanner 2: 1,2,3 . . . 94,95,96

Axle 8, Bearing Scanner 1: 1,2,3 . . . 94,95,96

Warmest 16 Wheel DSRs:

Axle 9, Wheel Scanner 2: 1,2,3 . . . 94,95,96

Axle 24, Wheel Scanner 1: 1,2,3 . . . 94,95,96

Axle 70, Wheel Scanner 2: 1,2,3 . . . 94,95,96
```

To display DSR samples by gate period, answer 'Y' to the "Separate by gate period? (y/n)" prompt. The following example shows the DSR groupings highlighted in grey.

```
Enter train number: 0403
Exception train? (y/n)
Separate by gate period? (y/n)

Warmest 16 Bearing DSRs:

Axle 1, Bearing Scanner 1:
Pre-gate : 1,2,3 . . . 22,23,24
In-gate  : 25,26,27 . . . 70,71,72
Post-gate: 73,74,75 . . . 94,95,96

Axle 6, Bearing Scanner 2:
Pre-gate : 1,2,3 . . . 22,23,24
In-gate  : 25,26,27 . . . 70,71,72
Post-gate: 73,74,75 . . . 94,95,96

Axle 8, Bearing Scanner 1:
Pre-gate : 1,2,3 . . . 22,23,24
In-gate  : 25,26,27 . . . 70,71,72
Post-gate: 73,74,75 . . . 94,95,96

Warmest 16 Wheel DSRs:

Axle 9, Wheel Scanner 2:
Pre-gate : 1,2,3 . . . 22,23,24
In-gate  : 25,26,27 . . . 70,71,72
Post-gate: 73,74,75 . . . 94,95,96

Axle 24, Wheel Scanner 1:
Pre-gate : 1,2,3 . . . 22,23,24
In-gate  : 25,26,27 . . . 70,71,72
Post-gate: 73,74,75 . . . 94,95,96

Axle 70, Wheel Scanner 2:
Pre-gate : 1,2,3 . . . 22,23,24
In-gate  : 25,26,27 . . . 70,71,72
Post-gate: 73,74,75 . . . 94,95,96
```

5. Due to similarities in appearance between the two summary reports and the two detail reports, the examples below include the Train Summary and Train Detail reports only. All of the examples below use the following four trains:

- **Train #1:** Hot Bearing, Hot Wheel, and AEI Disabled During Train Scanning
- **Train #2:** Hot Bearing and AEI Enabled, Hot Wheel Disabled, During Train Scanning
- **Train #3:** Hot Bearing Disabled, Hot Wheel and AEI Enabled, During Train Scanning
- **Train #4:** Hot Bearing, Hot Wheel, and AEI Enabled During Train Scanning

For brevity, only the example Train Detail report for Train #2 shows the AEI System Data display in the header, although it appeared for Train #3 and Train #4 as well. Also, Train Summary and Train Detail reports viewed through the Web Interface follow the same rules as when viewed through the Serial Interface.

Train Summary Report

When printing a Train Summary report, the firmware uses the detector's current Setup data parameters to determine which data columns to include. For example, printing a Train Summary report after disabling the Hot Wheel feature omits wheel data columns from the report. The parameter setting in place during train scanning determines what to display in the data columns for a given train. If a feature was enabled while scanning a train, the report shows the recorded data. Otherwise, the report shows a "---" placeholder to alert the user that the corresponding feature was disabled while scanning a train. The following screen fragments show Train Summary reports with various combinations of enabled and disabled features.

```

Train Summary Report: Hot Bearing, Hot Wheel, and AEI Disabled When Printed
-----
...
...      Speed      Amb
Train#...Min Max Xit Temp  Bat
-----
4A ... 49  50  49  22F 25.8v
3A ... 49  50  49  22F 25.8v
2A ... 50  50  50  22F 25.8v
1A ... 50  50  50  22F 25.8v
=====

```

```

Train Summary Report: Hot Bearing and AEI Enabled, Hot Wheel Disabled, When Printed
-----
...
...      Speed      Bearing      Bearing      AEI  Amb...
...      Average    Maximum    AEI  Temp...
Train#...Min Max Xit  East  West  East  West  Tags
-----
4A ... 78  80  78   19   20   19   20   8  10C...
3A ... 78  80  78   ---   ---   ---   ---   8  10C...
2A ... 80  80  80   19   20   19   20   8  10C...
1A ... 80  80  80   ---   ---   ---   ---   8  10C...
=====

```

```

Train Summary Report: Hot Bearing Disabled, Hot Wheel and AEI Enabled, When Printed
-----
...
...      Speed      Wheel
...      Maximum    AEI  ...
Train#...Min Max Xit  East  West  Tags...
-----
4A ... 78  80  78  187  163  8 ...
3A ... 78  80  78  186  163  8 ...
2A ... 80  80  80   ---   ---  8 ...
1A ... 80  80  80   ---   ---  --- ...
=====

```

```

Train Summary Report: Hot Bearing, Hot Wheel, and AEI Enabled When Printed
-----
...
...      Bearing      Wheel
...      Speed      Average      Maximum      AEI      Amb...
Train#...Min Max Xit  East  West  East  West  Tags  Temp...
-----
4A ... 78 80 78   19  20  187  163  8  10C...
3A ... 78 80 78   ---  ---  186  163  8  10C...
2A ... 80 80 80   19  20   ---  ---  8  10C...
1A ... 80 80 80   ---  ---   ---  ---  ---  10C...
=====

```

Train Detail Report

The report's header section displays Max, Avg, Resistor Read, Resistor Req, and CF columns for all scanners. If a feature was enabled while scanning the train, the report shows the recorded data. Otherwise, the report shows "---" placeholders to alert the user that the corresponding feature was disabled while scanning the train. If AEI was enabled during train scanning, the header includes an "AEI System Data" section. Otherwise, this section is absent.

The parameter settings in place during train scanning also determine what to display in the detailed axle data. Columns of bearing and wheel data appear if the corresponding feature was enabled. Otherwise, they are absent. AEI tag data appears if AEI was enabled during train scanning. Otherwise, no AEI data appears. The following screen fragments show Train Detail reports for the four trains referenced above.

```

Train Detail for Train #1: Hot Bearing, Hot Wheel, and AEI Disabled During Train Scanning
...
=====
Scanner      Max Avg Read Req  CF      Txdr      Alarm      Limit  Carside Parms
-----
East Brng --- ---  --- ---  ---  TO1 18  Absolute      150  Slope: 1.31
West Brng --- ---  --- ---  ---  TO2 18  Differential  255  Minimum: 90
East Whl  --- ---  --- ---  ---  N/E Hot Wheel  500
West Whl  --- ---  --- ---  ---  S/W Hot Wheel  500
...
Car Axle  ON  OFF PW1 PW2  Alarms
-----
1  1  27  998  14  13
   2  27   74  14  13
...

```


Train Detail for Train #2: Hot Bearing and AEI Enabled, Hot Wheel Disabled, During Train Scanning

```

=====
Scanner      Max Avg Read Req  CF      Txdr
Counts      Alarm      Limit  Carside Parms
-----
East Brng  19  19  281  OT  0  TO1  18  Absolute      150  Slope:  1.31
West Brng  20  20  268  OT  0  TO2  18  Differential   255  Minimum:  90
East Whl   ---  ---  ---  ---  ---  ---  ---  N/E Hot Wheel  498
West Whl   ---  ---  ---  ---  ---  ---  ---  S/W Hot Wheel  502
=====

```

AEI System Data

Tags Read Tags Stored: 8

Antenna 0: 4
Antenna 1: 4

```

=====
Rail
Car Axle  East  West  ON   OFF PW1 PW2  Alarms
-----
1  1  19  20  27  1009  14  13  NS  7549
   2  19  20  27   74  14  13
=====

```

Train Detail for Train #3: Hot Bearing Disabled, Hot Wheel and AEI Enabled, During Train Scanning

```

=====
Scanner      Max Avg Read Req  CF      Txdr
Counts      Alarm      Limit  Carside Parms
-----
East Brng  ---  ---  ---  ---  ---  TO1  18  Absolute      150  Slope:  1.31
West Brng  ---  ---  ---  ---  ---  TO2  18  Differential   255  Minimum:  90
East Whl   186 186  900  OT  0  ---  ---  N/E Hot Wheel  498
West Whl   163 163  864  OT  0  ---  ---  S/W Hot Wheel  502
=====

```

```

=====
Wheel
Car Axle  East  West  ON   OFF PW1 PW2  Alarms
-----
1  1  186  163  27  1003  14  13  NS  7549
   2  186  163  27   74  14  13
=====

```

Train Detail for Train #4: Hot Bearing, Hot Wheel, and AEI Enabled During Train Scanning

```

=====
Scanner      Max Avg Read Req  CF      Txdr
Counts      Alarm      Limit  Carside Parms
-----
East Brng  19  19  281  OT  0  TO1  18  Absolute      150  Slope:  1.31
West Brng  20  20  268  OT  0  TO2  18  Differential   255  Minimum:  90
East Whl   187 186  900  OT  0  ---  ---  N/E Hot Wheel  498
West Whl   163 163  866  OT  0  ---  ---  S/W Hot Wheel  502
=====

```

```

=====
Rail      Wheel
Car Axle  East  West  East  West  ON   OFF PW1 PW2  Alarms
-----
1  1  19  20  186  163  27  993  14  13  NS  7549
   2  19  20  187  163  27   74  14  13
=====

```

6.9 System Status Report

The System Status report contains the system's current setup configuration. Once a SmartScanNG² system is set up properly, print this report. Then, keep it in the wayside enclosure for future reference. Should you ever need to set up the system again, you'll have most of the information you'll need on this report.

Below is a sample of the top half of a System Status report. The contents of your report will be different.

Southern Technologies Corporation Next Generation Detector System SYSTEM STATUS REPORT			
Date:28/09/23		Time:10:20	Battery: 11.8v
			Ambient Temp.: +72F
SICM Board Rev.....	1.2 or lower	MP/KP.....	1234.5
Track.....	North	Track Dir.....	N/S
AC Power.....	On		
Active IP Settings (DHCP Addressing)			
IP Address.....	10.14.22.115	IP Mask.....	255.255.255.0
Default Gateway.....	10.14.22.1	DNS Server.....	10.14.22.16
Software Version			
EX_01-05 2023-08-08			
Speech Version			
0. EXP_EN_01			
1. EXP_FR_01			
Alarm Settings			
Absolute.....	150	Differential.....	255
Hot Wheel (N/E Bound).....	500	Hot Wheel (S/W Bound).....	500
Cold Rails.....	3	Cold Rail Temp.....	10
Cold Res Counter.....	3	Differential Enabled.....	No
Alarm Settings (Advanced)			
Carside Slope.....	1.31	Carside Minimum.....	90
Res Test: Minimum Rail Avg.....	25	Res Test: Minimum Wheel Avg.....	28
Bearing DSR Capture Temp.....	72	Wheel DSR Capture Temp.....	361
Max Alarms.....	8		
Equipment Settings			
Dragger.....	Yes	Hot Wheel.....	No
Hot Bearing.....	Yes	High Load.....	No
Wide Load.....	No	AEI.....	No
Presence Hardware.....	Yes	Advance Transducers.....	No
AC Power Off Monitor.....	Yes		
Equipment Settings (Advanced)			
Carside Slope.....	Yes	Winter Cycle.....	Disabled
Gate Distance.....	24.0 in	Dragger Debounce Time.....	200 ms
Pre Train Dragger Dist.....	0 ft	Pre Train High/Wide Dist.....	0 ft
Presence Timeout Period.....	10 sec	System Voltage.....	12 V
Resistor Test.....	Enabled	Clearance Mode.....	Multiplexed
Clearance Type.....	Light Beam	Transducer Gain.....	Normal
Transducer Type.....	Magnetic	Carrier Detect Active State.....	Low
	.		
	.		
	.		

Below is a sample of the bottom half of a System Status report. The contents of your report will be different. The version information in the sample below is for illustrative purposes only. It doesn't represent any real release of the firmware.

```

      .
      .
      .
Message Settings
-----
Arrival Message..... Yes      Customer Name..... Yes
Axles..... Yes                Speed..... No
Temperature..... Yes          Slow..... Yes
Power Off..... Yes           Repeat No Defects..... Yes
Length..... No                Cars Count..... No
Lft/Rt Alarm Ref..... No      Car ID With Alarm..... No
PrimaryLanguage..... French_Louise SecondaryLanguage..... None

Message Settings (Advanced)
-----
Announce Hot Wheels..... Yes    Announce Differential..... Yes
Announce High Load..... Yes     Announce Wide Load..... Yes
Request EOT Timer..... 10 min   Rebroad DTMF Code..... 123
Num EOT Repeats..... 1         EOT Repeat Delay..... 15 sec

Network Settings
-----
Use Static Address..... No      Static IP..... 192.168.1.101
Static Mask..... 255.255.255.0  Static Default Gateway..... 192.168.1.1
Static DNS Server..... 192.168.1.1 TELNET Port..... 23
FTP Port..... 21                HTTP Port..... 80
HTTPS Port..... 8080            Use Wifi..... No
Wifi Inactivity Timeout..... 10 min

COM Port Settings
-----
COM1 (Serial Interface)..... Baud 19200 None    COM2 (Not Used)..... Baud 19200 None
COM3 (Not Used)..... Baud 19200 None          COM4 (Not Used)..... Baud 19200 None
COM5 (AEI)..... Baud 19200 None              COM6 (FlashHost)..... Baud 57600 None
RS485 (Not Used)..... Baud 9600 None          Page Lines..... 30

AEI Settings
-----
Tag Reader Type..... None        ID Separation..... 2
Consecutive Reads..... 2         RF Frequency (MHz)..... 915.000
RF Attenuation (dB)..... 0       Multi-Track Tag Filter..... Disabled
Antenna 0 Offset..... 0 (T01)    Antenna 1 Offset..... 0 (T01)

Units Of Measure Settings
-----
Location..... Kilometerpost      Date Format..... Metric
Speed..... Metric                Temperature..... Metric
Length..... Metric

Scanner Calibration Date / Digital Potentiometer Settings
-----
Rail 1 Type III..... 16/05/2022 10:22 / 41    Rail 2 Type III..... 28/04/2022 08:07 / 40
Wheel 1 ..... SCANNER DISABLED              Wheel 2 ..... SCANNER DISABLED

Resistor Baseline
-----
Rail 1 Type III..... Valid        Rail 2 Type III..... Valid
Wheel 1 ..... SCANNER DISABLED      Wheel 2 ..... SCANNER DISABLED

```

The table below lists the fields on the System Status report and the contents of each field.

Heading	Contents of Field
Date	The date at the time this report was generated. Date is in mm/dd/yy format. Section 4.0 - Serial Interface tells how to change this value using the Date and Time submenu of the Setup menu.
Time	The time at the time this report was generated. Time is in 24-hour hh:mm format, where 8 a.m. is 08:00, noon is 12:00, 8 p.m. is 20:00, and midnight is 00:00. Section 4.0 - Serial Interface tells how to change this value using the Date and Time submenu of the Setup menu.
Battery	The system battery voltage at the time this report was generated.
Ambient Temp	The ambient temperature at the time this report was generated. Temperature is in degrees Fahrenheit.
SICM Bd Rev	The board revision of the 2300-110 SICM Board currently installed in the controller module.
MP/KP	The five-digit milepost/kilometer post of the site. Section 4.0 - Serial Interface tells how to change this value using the MP/KP submenu.
Track	The track designator of the site. For single-track sites, the value is Single. For double-track sites, valid values are North, South, East, West, Track 1, Track 2, Track 3, and Track 4. Section 4.0 - Serial Interface tells how to change this value using the Track Number submenu of the Setup menu.
Track Dir	The track direction of the site. Valid values are N/S (for north/south) and E/W (for east/west). Section 4.0 - Serial Interface tells how to change this value using the Track Number submenu of the Setup menu.
AC Power	Indicates current status of AC Power.
Firmware Versions	The version numbers of the firmware and their release dates, which are in mm/dd/yy format. This firmware resides on the processor modules.
Alarm Settings	The alarm parameters and limits as they are currently defined in the system setup. Section 4.0 - Serial Interface tells how to change these parameters and limits using the Alarm Settings menu of the Setup menu.
Equipment Settings	Equipment configuration as currently defined in the system setup. Section 4.0 - Serial Interface tells how to change this configuration using the Equipment Settings menu of the Setup menu.
Messages	Message configuration as currently defined in the system setup. Section 4.0 - Serial Interface tells how to change this configuration using the Messages menu of the Setup menu.
Network Settings	Network configuration as currently defined in the system setup. Section 4.0 - Serial Interface tells how to change this configuration using the Network menu of the Setup menu.

Heading	Contents of Field
Port Settings	Communications port parameter settings as currently defined in system setup. These parameters reflect the baud rate and parity settings for each communications port. Section 4.0 - Serial Interface tells how to change these parameter settings using the Setup menu.
AEI Reader Parameters	This heading appears when the AEI subsystem is enabled using the AEI option on the Equipment Settings menu and displays settings as they are currently configured. Section 4.0 - Serial Interface tells how to set these values using the AEI Reader Parameters menu of the Setup menu.
Units of Measure	Units of Measure settings as currently defined in system setup. Section 4.0 - Serial Interface tells how to change these parameter settings using the Setup menu.
Scanner Calibration Date	Date and time each scanner was last calibrated. The autocalibration function maintains these fields.
Resistor Baseline	VALID indicates the scanner has passed the resistor temperature baseline test. INVALID indicates that the system has tried twice and could not acquire valid resistor data.
Registered Status Servers	IP address and timestamp of last communication for each registered server to which the detector reports.

To produce a System Status report:

- 1 Using the serial interface, display the Main menu.

Section 4.0 - Serial Interface tells how to display the Main menu. The Main menu looks like this.

```

Main Menu - Comm
-----
[A] - Train Summary
[B] - Train Detail
[C] - Exception Summary
[D] - Exception Detail
[E] - System Status Report
[F] - Last Train
      .
      .
      .

```

- 2 Select **System Status**.
- 3 After producing the report, you are returned to the Main menu.
At this time, you can produce another report by selecting the appropriate option.
- 4 When done, close the LOG file.
- 5 To exit the serial interface and return the SmartScanNG² system to normal operation, type **X**.

6.10 AEI Diagnostic Detail Report

The AEI Diagnostic Detail report provides detailed information on a single train. It contains information that can be useful in troubleshooting AEI-related problems. When choosing this report, you'll be prompted for a train number. When prompted, type a train number from the Train Summary report. The train number appears under the column titled "Train#" in the detail section of that report.

The AEI subsystem is enabled/disabled using the AEI option on the Equipment Settings menu. If the AEI option is disabled during train passage, no AEI information is recorded.

Below is a sample of part of an AEI Diagnostic Detail report when both the AEI option and the Hotwheel option on the Equipment Settings menu were enabled at the time the report was requested. The Carside Slope option on the Equipment Settings menu was disabled. Also, both the AEI and Hotwheel options were enabled while the specified train was passing the site. The contents of your report will be different. The version information in the sample below is for illustrative purposes only. It doesn't represent any real release of the firmware.

Like the Train Detail report, the AEI Diagnostic Detail report is divided into three sections. The header section contains general information about the site (like the MP/KP) and some detailed information about the specific train (like the train's exit speed) that passed the site. The detail section contains more detailed information (like the car number) about the specific train. In between these two sections is the system-events section, which contains all System Alarms and Exception Alarms associated with the train.

Southern Technologies Corporation
Next Generation Detector System
AEI Diagnostic

```

=====
Train#: 246                      Speed: 30MPH                      MP/KP: 1234.5
   Date: 09/05/23                Axles: 148                      Track: North
   Time: 06:08                   Direction: North                 Temperature: +25F
Length: 2357                     Shutters Open: 71                Battery: 13.1v
                                           Car Breakout Ratio: 1.19
=====

```

```

=====
Resistor
Rail Max Avg Read Req CF Txdr Counts Alarm Limit Carside Parm
-----
East 33 20 172 121B 0 TO1 148 Absolute 200 Slope: 1.60
West 29 13 179 143B 0 TO2 148 Differential 130 Minimum: 300
Resistor Test Mode: Disabled Hot Wheel 652
High/Wide Alarm Direction: BOTH Cold Rail Temp 10
=====

```

```

=====
Resistor
Wheel Max Avg Read Req CF
-----
East 28 2 26 0B 0
West 23 1 32 0B 0
=====

```

AEI System Data

Tags Read Tags Stored: 74

Antenna 0: 37
Antenna 1: 37

```

=====
Software Version    Package: QCM_00-74 2020-01-04 15-38-51
=====

```

System Alarms

None

```

-----
TMSTMP Axle Truck On Off PW1 PW2
00000 CarStart=1, Axles=4, Trucks=2, Tags=1, Speed=23, Len=59
00026 1 1 58 0 19 19
00285 2 1 59 203 12 10

00945 *QCM 6113 side=L trk=2 len=59 axls=4 51|5|0|2 hs0= 0 hs1=13 flags=181
01030 3 2 58 685 20 20
01294 4 2 58 205 15 14
01535 CarEnd= 1

01536 CarStart=2, Axles=4, Trucks=2, Tags=2, Speed=23, Len=59
01776 5 3 58 423 23 22
01974 *QCM 2792 side=L trk=3 len=59 axls=4 51|5|0|2 hs0=19 hs1=12 flags=51
02040 6 3 58 205 20 19

02715 QCM 2792 side=R trk=4 len=59 axls=4 51|5|0|2 hs0=19 hs1=12 flags=A2
02778 7 4 58 679 24 23
03043 8 4 58 206 23 22
03220 CarEnd= 2

03221 CarStart=3, Axles=4, Trucks=2, Tags=2, Speed=23, Len=63
03396 9 5 58 293 20 20
03550 *DAKX252215 side=R trk=5 len=58 axls=4 51|19|0|4 hs0=23 hs1=20 flags=51
03567 10 5 58 113 22 21

```

.
.
.

The table below lists the fields from the header section and the contents of each field.

Heading	Contents of Field
Train#	The number that identifies the train in the Trains directory.
Date	The date the train arrived at the site. Date is in mm/dd/yy format. Section 4.0 - Serial Interface tells how to change this value using the Date and Time submenu of the Setup menu.
Time	The time the train arrived at the site. Time is in 24-hour hh:mm format, where 8 a.m. is 08:00, noon is 12:00, 8 p.m. is 20:00, and midnight is 00:00. Section 4.0 - Serial Interface tells how to change this value using the Date and Time submenu of the Setup menu.
Length	The length of train in feet.
Speed	The train's exit speed in miles per hour.
Axles	The total number of axles counted by the SmartScanNG ² system.
Direction	The direction the train was traveling. Valid values are North, South, East, and West.
Shutters Open	The number of seconds it took the train to pass over the site.
MP/KP	The five-digit milepost/kilometer post of the site. Section 4.0 - Serial Interface tells how to change this value using the MP/KP submenu.
Track	The track designator of the site. For single-track sites, the value is Single. For double-track sites, valid values are North, South, East, West, Main 1, Main 2, Main 3, and Middle. Section 4.0 - Serial Interface tells how to set this value using the Track Number submenu of the Setup menu.
Temperature	The ambient temperature at the time the train arrived at the site. Temperature is in degrees Fahrenheit.
Battery	The system battery voltage at the time the train passed the site.
Rail	Location of the bearing scanners. If the track orientation is east and west, the bearing scanners are labeled north and south. If the track orientation is north and south, they are labeled east and west
Max	The maximum temperature, above the ambient temperature in degrees Fahrenheit, recorded by the bearing scanner on a given rai-side. For example, if the ambient temperature (at the time the train arrived at the site) is 77°F (25°C) and the value in this field is 112, the maximum temperature would be 189°F (87.2°C).
Avg	The average temperature, above the ambient temperature in degrees Fahrenheit, calculated from all recorded temperatures from the bearing scanner on a given rai-side. For example, if the ambient temperature (at the time the train arrived at the site) is 86°F (30°C), and the value in this field is 55, the average temperature would be 141°F (60.6°C).

Heading	Contents of Field
Resistor Read	The scanner resistor temperature (read after train passage), in degrees Fahrenheit, recorded by the bearing scanner on a given raiiside.
Resistor Req	The resistor temperature, in degrees Fahrenheit, required by the bearing scanner on a given raiiside to avoid a Cold Resistor alarm. This value was calculated using the amount of time the shutters were open and the Resistor Test Mode option in effect at the time the train exits the site. If the Resistor Test Mode option is <u>disabled</u> , a zero appears in this field.
	<p>One of five uppercase letters follows the Resistor Req temperature.</p> <ul style="list-style-type: none"> B The baseline resistor integrity test method was used for this train. D The resistor integrity test (that is, the Resistor Test Mode option) was disabled by the user. I The interim resistor integrity test method was used for this train. T For this train, the shutters were open for less than 30 seconds. V For this train, the battery voltage (measured with the shutters open) was less than 12.5 volts. <p>For D, T, and V, the required resistor heat is set to zero (that is, a zero appears in the Resistor Read field). A T or V indicates that the integrity test was not performed due to low voltage or insufficient shutter open time, which could result in an invalid resistor integrity test if it was performed.</p>
CF	The percentage difference between the required resistor value and the value that was actually read. For example, if the required resistor temperature is 180 and the actual resistor temperature is 135, the correction factor would be 25% ($1 - (135 / 180) = .25$), and 25 would appear in this field.
Txdr Counts	The gating transducer designator (either TO1 or TO2) followed by the total number of hits on that transducer.
Alarm Limit	<p>The Hotwheel alarm level, the Hotbox alarm levels for Absolute and Differential, and the Cold Rail Temperature offset. These values were in place at the time the train arrived at the site.</p> <ul style="list-style-type: none"> • The value after Absolute is set by the Absolute option on the Alarm Settings menu. • The value after Differential is set by the Differential option on the Alarm Settings menu. • The value after Hot Wheel is set by the Hotwheel option on the Alarm Settings menu. • The value after Cold Rail Temp is set by the Cold Rail Temperature option on the Alarm Settings menu. <p>Section 4.0 - Serial Interface tells how to set these values.</p>

Heading	Contents of Field
Carside Params	<p>The Carside Slope alarm parameter values that were in place at the time the train arrived at the site.</p> <ul style="list-style-type: none"> • The value after Carside Slope is set by the Carside Slope option on the Alarm Settings menu. • The value after Minimum is set by the Carside Minimum option on the Alarm Settings menu. <p>Section 4.0 - Serial Interface tells how to set these values.</p>
Resistor Test Mode	<p>The status of the post-train resistor integrity test at the time the train arrived at the site. Valid values (aka modes) are Enabled, Reduced, and Disabled. Section 4.0 - Serial Interface tells how to set this value using the Resistor Test Mode option on the Equipment Settings menu.</p>
Wheel	<p>The location of the wheel scanners. If the track orientation is east and west, the wheel scanners are labeled north and south. If the track orientation is north and south, they are labeled east and west. This field only appears when Hotwheel alarm reporting is <u>enabled</u> using the Hotwheel option on the Equipment Settings menu.</p>
Max	<p>The maximum temperature, above the ambient temperature in degrees Fahrenheit, recorded by the wheel scanner on a given raiiside. This field only appears when Hotwheel alarm reporting is <u>enabled</u> using the Hotwheel option on the Equipment Settings menu.</p>
Avg	<p>The average temperature, above the ambient temperature in degrees Fahrenheit, calculated from all recorded temperatures from the wheel scanner on a given raiiside. This field only appears when Hotwheel alarm reporting is <u>enabled</u> using the Hotwheel option on the Equipment Settings menu.</p>
Resistor Read	<p>The scanner resistor temperature (read after train passage), in degrees Fahrenheit, recorded by the wheel scanner on a given raiiside. This field only appears when Hotwheel alarm reporting is <u>enabled</u> using the Hotwheel option on the Equipment Settings menu.</p>
Resistor Req	<p>The resistor temperature, in degrees Fahrenheit, required by the wheel scanner on a given raiiside to avoid a Cold Wheel Scanner Resistor alarm. This value was calculated using the amount of time the shutters were open and the Resistor Test Mode option in effect at the time the train exits the site. If the Resistor Test Mode option is <u>disabled</u>, a zero appears in this field. This field only appears when Hotwheel alarm reporting is <u>enabled</u> using the Hotwheel option on the Equipment Settings menu.</p>

Heading	Contents of Field
	<p>One of five uppercase letters follows the Resistor Req temperature.</p> <p>B The baseline resistor integrity test method was used for this train.</p> <p>D The resistor integrity test (that is, the Resistor Test Mode option) was disabled by the user.</p> <p>I The interim resistor integrity test method was used for this train.</p> <p>T For this train, the shutters were open for less than 30 seconds.</p> <p>V For this train, the battery voltage (measured with the shutters open) was less than 12.5 volts.</p> <p>For D, T, and V, the required resistor heat is set to zero (that is, a zero appears in the Resistor Read field). A T or V indicates that the integrity test was not performed due to low voltage or insufficient shutter open time, which could result in an invalid resistor integrity test if it was performed.</p>
CF	The percentage difference between the required resistor value and the value that was actually read. For example, if the required resistor temperature is 180 and the actual resistor temperature is 135 the correction factor would be 25% ($1 - (135 / 180) = .25$), and 25 would appear in this field.
AEI System Data	The number of AEI tags read (by antenna0 and antenna1) and the total number of tags stored for the train. Where both tags of a tag pair are operational, each antenna will read one tag of the pair. The total number of tags stored represents the number of tag pairs found plus those single tags that lack a match. This heading and the columns under it appear only when the AEI subsystem is <u>enabled</u> using the AEI option on the Equipment Settings menu.
Firmware Versions	The version numbers of the firmware and their release dates, which are in mm/dd/yy format. This firmware resides on the processor modules.

The table below lists the fields from the system-events section and the contents of each field.

Heading	Contents of Field
System Alarms	Lists any System Alarms and Integrity Failures detected at the time the train passed the site. If none were detected, this header is followed by the word "none." Appendix A - System Alarms describes the conditions and events that the system flags as System Alarms. Appendix B - Integrity Failures describes the conditions and events that the system flags as Integrity Failures.

The following excerpt is from the detail section of the AEI Diagnostic report

```

      •
      •
      •
TMSTMP Axle Truck On Off PW1 PW2
00000 CarStart=1, Axles=4, Trucks=2, Tags=1, Speed=23, Len=59
00026      1      1      58      0      19      19
00285      2      1      59      203      12      10

00945 QCM 6113 side=L trk=2 len=59 axls=4 51|5|0|2 hs0= 0 hs1=13 flags=181
01030      3      2      58      685      20      20
01294      4      2      58      205      15      14
01535 CarEnd= 1
      •
      •
      •

```

The table below lists the fields from the detail section and the contents of each field.

Heading	Contents of Field
TMSTMP	The timestamp of a recorded event in milliseconds after train detection.
Car	The car number as determined by the firmware.
Axle	The axle number.
Trk	The truck number. Each railroad vehicle has two or more trucks (that is, wheel assemblies). The trucks are numbered, starting with 0, and increasing from the beginning of the train to the end. Each axle record is associated with one of these trucks. The axles are assigned the number of the truck with which they've been associated. These assigned truck numbers appear in this field. If the Hotwheel option on the Equipment Settings menu is <u>enabled</u> , this field doesn't appear.
ON	The number of milliseconds a bearing was scanned.
OFF	The number of milliseconds between axles (when no axle was between the gating transducers).
PW1	The recorded width of the pulse generated by the gating transducer TO1. There is no fixed value for the pulse widths. Slower trains generate wider pulse widths (that is, they generate larger values) than faster-moving trains.
PW2	The recorded width of the pulse generated by the gating transducer TO2. There is no fixed value for the pulse widths. Slower trains generate wider pulse widths (that is, they generate larger values) than faster-moving trains.

The AEI Diagnostic report has one line of data for every AEI tag associated with each car. See highlighted data line in the example below.

```

      •
      •
      •
TMSTMP Axle Truck On Off PW1 PW2
00000 CarStart=1, Axles=4, Trucks=2, Tags=1, Speed=23, Len=59
00026      1      1      58      0      19      19
00285      2      1      59      203      12      10

00945 QCM 6113 side=L trk=2 len=59 axls=4 51|5|0|2 hs0= 0 hs1=13 flags=181
01030      3      2      58      685      20      20
01294      4      2      58      205      15      14
01535 CarEnd= 1
      •
      •
      •

```

The table below defines the relevant fields in the AEI tag portion of car data.

Field Value	Field Definition
00945	Timestamp of tag read.
QCM 6113	AEI vehicle identification
side=L	Left side of car
trk=2	Truck two of car.
len=59	Car length of 59 feet.
axls=4	Four axle car.
51 5 0 2	51 is the Data Format Code. 5 is the Equipment Group Code (5 = locomotive). 0 is the Platform Code. 2 is the Tag Type.
hs0= 0	Handshakes on antenna-0 equal zero.
hs1=13	Handshakes on antenna-1 equal thirteen.
flags=181	For diagnostic purposes.

To produce an AEI Diagnostic report:

- 1 Using the serial interface, display the Main menu.

Section 4.0 - Serial Interface tells how to display the Main menu. The Main menu looks like this.

```
      .  
      .  
      .  
[G] - Train DSRs  
[H] - AEI Diagnostic  
[I] - Setup  
[J] - Event log  
      .  
      .  
      .
```

- 2 Select **AEI Diagnostic**.

This prompt appears.

```
Enter Train Number:
```

- 3 Type the train number.

If you typed a three-digit invalid train number, the Main menu reappears. If you typed a three-digit valid train number, a report for that train is produced. The last line of the report reads: "END OF REPORT - Press any key..."

- 4 If you typed one or two digits, press **[Enter]**.

If you typed an invalid train number, pressing **[Enter]** causes the Main menu to reappear. If the typed train number is valid, pressing **[Enter]** produces a report for it. The last line of the report reads: "END OF REPORT - Press any key..."

- 5 To exit the serial interface and return the SmartScanNG² system to normal operation, type **X**.

6.11 Event Log Report

The Event Log report is used for diagnostics. As certain system events occur, entries are posted into the event log. Each time an entry is made into this log, it receives an event number, the date and time that the event was recorded, and an event description.

The entries are stored in a section of SRAM that can hold up to 300 separate entries. Each time an event is recorded that exceeds this maximum, the new one overwrites the oldest recorded event. The entries are saved during a power outage but can be deleted with the Clear Event Log option on the System Functions menu. Producing the report at this time produces a "No Events" message. If events have been recorded and not cleared, they're listed in chronological order, beginning with the most recently recorded event.

Below is a sample of part of an Event Log report. The contents of your report will be different. The date/time at the top of the report is the system date/time at the time the report was generated. Each line of text (that is, each event) contains these fields.

- The date at which the event was recorded (date is in mm/dd/yyyy format)
- The time at which the event was recorded (time is in 24-hour hh:mm:ss format, where 8 a.m. is 08:00:00, noon is 12:00:00, 8 p.m. is 20:00:00, and midnight is 00:00:00)
- The task priority (number in parenthesis –used for diagnostic purposes)
- The event description

```
-----  
[09/05/2023 13:05:57] (55) - Admin logged in: id-26, telnet ip-184.174.165.45  
[09/05/2023 12:52:42] (48) - Stored train #1113  
[09/05/2023 12:52:42] (48) - Train Departure  
[09/05/2023 12:52:09] (48) - Train Arrival  
[09/05/2023 11:51:36] (55) - Admin logged out: id-26  
[09/05/2023 11:48:57] (55) - Admin logged in: id-26, telnet ip-184.174.165.45  
[09/05/2023 11:48:39] (55) - Telnet Connection timed out: id-26  
[09/05/2023 11:38:08] (55) - Admin logged in: id-26, telnet ip-184.174.165.45  
[09/05/2023 11:27:33] (48) - Stored train #1112  
[09/05/2023 11:27:24] (48) - Train Departure  
[09/05/2023 11:25:08] (48) - Train Arrival  
[09/05/2023 10:43:55] (48) - Stored train #1111  
[09/05/2023 10:43:44] (48) - Train Departure  
[09/05/2023 10:40:27] (48) - Train Arrival  
[09/05/2023 10:03:53] (48) - Stored train #1110  
[09/05/2023 10:03:43] (48) - Train Departure  
[09/05/2023 10:01:12] (48) - Train Arrival  
[09/05/2023 09:00:04] (48) - Stored train #1109  
[09/05/2023 08:59:55] (48) - Train Departure  
[09/05/2023 08:57:50] (48) - Train Arrival  
[09/05/2023 08:50:46] (55) - Admin logged out: id-27  
[09/05/2023 08:43:45] (55) - Admin logged in: id-27, telnet ip-184.174.165.45  
[09/05/2023 08:42:46] (55) - Telnet Connection timed out: id-27  
[09/05/2023 08:16:26] (55) - Admin logged in: id-27, telnet ip-184.174.165.45  
[09/05/2023 08:12:09] (55) - Telnet Connection timed out: id-27  
[09/05/2023 08:00:51] (55) - Admin logged in: id-27, telnet ip-184.174.165.45  
.  
.  
.
```

To produce an Event Log report:

- 1 Using the serial interface, display the Main menu.

Section 4.0 - Serial Interface tells how to display the Main menu. The Main menu looks like this.

```
      .  
      .  
      .  
[G] - Train DSRs  
[H] - AEI Diagnostic  
[I] - Setup  
[J] - Event log  
      .  
      .  
      .
```

- 2 Select the **Event Log**.
- 3 To exit the serial interface and return the SmartScanNG² system to normal operation, type **X**.

7.0 Radio Announcements

Radio announcements consist of a set of predefined spoken messages, with each message triggered by a particular event or set of events. This section covers the message formats and announcement criteria.

These shorthand symbols have been used in the message texts.

- (axle) – an axle number
- (mile) – the milepost number
- (side) – a rail side (such as “North” or “East”)
- (speed) – exit speed of the train (to the nearest mph)
- [track] – at a double-track site, the track direction (such as “North” or “East”); at a single-track site, no message text is inserted for track direction
- (tag) – a railcar’s AEI tag number

7.1 Arrival Messages

The arrival message is used to announce train arrival at the site. This message is optional. It is enabled or disabled using the Announce Train Arrival option on the Messages menu. The format of this announcement is:

```
Detector At Milepost (mile) [track]
```

In French, the message is:

```
Detecteur (mile)
```

7.2 Real-Time Messages

Real-time messages consist of announcements that occur as the train is passing over the site. No matter what kind of defect was detected, there is only one format for this announcement, and it is:

```
[Detetor at] Kilometerpost (mile) [track indicator] You have a defect
```

For example

```
Detector at kilometer post 1 2 3 3 point 8 you have a defect
```

And, in French:

```
Detecteur au PK 1 2 3 3 point 8 vous avez un defaut
```

7.3 Post-Train Messages

Post-train announcements are given after the train has left the site, and all the recorded train data has been processed by the SmartScanNG².

These messages consist of three distinct scenarios:

- Exception Alarms not detected and Integrity Failures not detected
- Exception Alarms not detected and Integrity Failures detected
- Exception Alarms detected

Exception Alarms are associated with axles. There are eight types of exception alarms. They are the Absolute, Carside Slope, Differential, Dragging-Equipment, High-Load, Hot Wheel, Pyrometer Saturation, and Wide-Load alarms.

The four types of **Hotbox alarms** (hot bearing alarms) are Absolute alarms, Differential alarms, Pyrometer Saturation alarms, and Carside Slope alarms. When one of these four alarms occurs, a Hotbox alarm is announced.

7.3.1 No Alarms

If no alarms are detected on a train and no Integrity Failures are flagged, the message below is announced.

In English, the message is:

```
[Detector at] Kilometer Post  
(mile) [track]  
No defects, repeat no defects, total axles (axle count)
```

For example, if double-track site:

```
Detector at Kilometer Post1 2 3 3 point 8  
East Track  
No defects, repeat no defects, total axles 8 2
```

In French, the message is:

```
[Detecteur au] PK  
(mile) [track]  
Aucun problemes, repete aucun problemes, totale essieu (axle count)
```

For example, if double-track site:

```
Detecteur au PK  
1 2 3 3 point 8 Voie Est  
Aucun problemes, repete aucun problemes, totale essieu 8 2
```

7.3.2 Only an Integrity Failure Detected

Integrity failures are caused when the system determines that a condition exists that could prevent proper scanning of a train. They indicate an unusual operating condition that may require maintenance. Integrity failures appear in the header of Train Detail reports and Exception Detail reports.

When no Exception Alarms are detected, but an Integrity Failure is detected, only Integrity Failure is announced. The format of this announcement is:

```
[Detector at] Kilometer Post
(mile) [track indicator]
[ancillary messages]
Not Working

[Detector at] Milepost
(mile) [track indicator]
[ancillary messages]
Not Working
Detector Out
```

For example, at a double-track site, the announcement is like this.

```
Detector at Kilometer Post
1 2 3 3 point 8 East Track
Total Axles 8 2
Not working

Detector at Kilometer Post
1 2 3 3 point 8 East Track
Total Axles 8 2
Not working
Detector Out
```

In French, the message is:

```
[Detecteur au] PK
(mile) [track]
[ancillary messages]
Defectueux

[Detecteur au] PK
(mile) [track]
[ancillary messages]
Defectueux
Message complete
```

For example, if double-track site:

```
Detecteur au PK
1 2 3 3 point 8 Voie Est
totale essieu 8 2
Defectueux

Detecteur au PK
1 2 3 3 point 8 Voie Est
totale essieu 8 2
Defectueux
Message complete
```

7.3.3 Exception Alarms Detected

When one or more Exception Alarms are detected, the alarms are announced. The format of this announcement is:

```
[Detector at] Kilometer Post  
(mile) [track indicator]  
Hot box (rail) (axle)  
[ancillary messages]  
  
[Detector at] Kilometer Post  
(mile) [track indicator]  
Hot box (rail) (axle)  
[ancillary messages]  
Detector Out
```

For example, at a double-track site having one Hotbox alarm, the announcement is like this.

```
Detector at Kilometer Post  
1 2 3 3 point 8 East track  
Hot box West rail axle 2 6  
total axles 1 1 0  
  
Detector at Kilometer Post  
1 2 3 3 point 8 East track  
Hot box West rail axle 2 6  
Total axles 1 1 0  
Detector out
```

In French, the message is:

```
[Detecteur au] PK  
(mile) [track]  
Boite chaude (axle) (rail)  
[ancillary messages]  
  
[Detecteur au] PK  
(mile) [track]  
Boite chaude (axle) (rail)  
[ancillary messages]  
Message complete
```

For example, at a double-track site having one Hotbox alarm, the announcement is like this.

```
Detecteur au PK  
1 2 3 3 point 8 Voie Est  
Boite chaude essieu 2 6 cote ouest  
Totale essieu 1 1 0  
  
Detecteur au PK  
1 2 3 3 point 8 Voie Est  
Boite chaude essieu 2 6 cote ouest  
Totale essieu 1 1 0  
Message complete
```

At a double-track site having one Hotwheel alarm, the announcement is like this.

```
Detector at Kilometer Post
1 2 3 3 point 8 East track
Hot wheel east rail axle 3 9
Total axles 1 1 0
```

```
Detector at Kilometer Post
1 2 3 3 point 8 East track
Hot wheel east rail axle 3 9
Total axles 1 1 0
Detector out
```

In French, the message is:

```
Detecteur au PK
1 2 3 3 point 8 Voie Est
roue chaude essieu 3 9 cote est
Totale essieu 1 1 0
```

```
Detecteur au PK
1 2 3 3 point 8 Voie Est
Roue chaude essieu 3 9 cote est
Totale essieu 1 1 0
Message complete
```

At a single-track site having two Hotbox alarms, the announcement is like this.

```
Detector at Kilometer Post
1 2 3 3 point 8
First hot box east rail axle 1 7
Second hot box west rail axle 2 6
Total axles 1 1 0
```

```
Detector at Kilometer Post
1 2 3 3 point 8
First hot box east rail axle 1 7
Second hot box west rail axle 2 6
Total axles 1 1 0
Detector out
```

In French, the message is:

```
Detecteur au PK
1 2 3 3 point 8
1st boite chaude essieu 1 7 cote est
2nd boite chaude essieu 2 6 cote oust
Totale essieu 1 1 0
```

```
Detecteur au PK
1 2 3 3 point 8
1st boite chaude essieu 1 7 cote est
2nd boite chaude essieu 2 6 cote oust
Totale essieu 1 1 0
Message complete
```

At a double-track site having one Dragging Equipment alarm, the announcement is like this.

```
Detector at Kilometer Post
1 2 3 3 point 8 East track
Dragging equipment near axle 3 1
Total axles 1 1 0
```

```
Detector at Kilometer Post
1 2 3 3 point 8 East track
Dragging equipment near axle 3 1
Total axles 1 1 0
Detector out
```

In French, the message is:

```
Detecteur au PK
1 2 3 3 point 8 Voie Est
Piece trainantes essieu 3 1
Totale essieu 1 1 0
```

```
Detecteur au PK
1 2 3 3 point 8 Voie Est
Piece trainantes essieu 3 1
Totale essieu 1 1 0
Message complete
```

At a double-track site having one Hotwheel alarm and one Dragging Equipment alarm, the announcement is like this.

```
Detector at Kilometer Post
1 2 3 3 point 8 East track
Hot wheel west rail axle 4 5
Dragging equipment near axle 5 3
Total axles 1 1 0
```

```
Detector at Kilometer Post
1 2 3 3 point 8 East track
Hot wheel west rail axle 4 5
Dragging equipment near axle 5 3
Total axles 1 1 0
Detector out
```

In French, the message is:

```
Detecteur au PK
1 2 3 3 point 8 Voie Est
Roue chaude essieu 4 5 cote ouest
Piece trainantes essieu 4 5
Totale essieu 1 1 0
```

```
Detecteur au PK
1 2 3 3 point 8 Voie Est
Roue chaude essieu 4 5 cote ouest
Piece trainantes essieu 4 5
Totale essieu 1 1 0
Message complete
```

8.0 Scheduled Maintenance

This section lists the items that STC recommends be done during scheduled maintenance.

An up-and-running SmartScanNG² system needs to be visited from time to time to do scheduled maintenance. The frequency of these visits is up to the customer. STC recommends visits every 30 to 90 days. Maintenance requirements change with environmental conditions. For example, if the system is installed in a damp or dusty environment, it may be necessary to visit the location more frequently to clean the optics. The optical system is the item most likely to need periodic maintenance. If moisture or dust isn't a problem, you may not need to do scheduled maintenance more often than every 90 days.

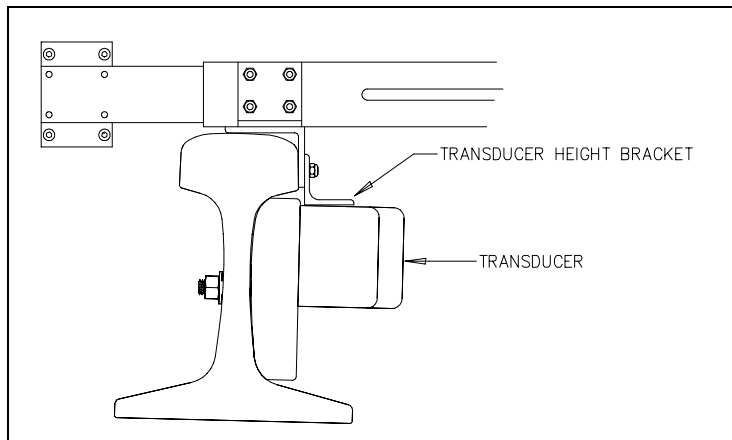
What is done during a maintenance visit is up to the customer. However, STC does have some recommendations. For normal scheduled maintenance, STC recommends these steps.

- 1 Be sure that you have on hand a 50-foot (15-meter) or longer tape measure, a #2 Phillips head screwdriver, a small slotted screwdriver, a 9/16-inch torque wrench, a laptop computer, a multimeter, and the alignment fixture.
- 2 At trackside, check track conditions on all tracks.
- 3 If any track is pumping (vertical displacement of the rails) or running (lateral displacement of the rails) more than 2 inches (5 centimeters), have it repaired before proceeding.
- 4 At trackside, check for damaged transducers, damaged transducer cables, and other damaged components.
- 5 If you find any damaged components, repair or replace them before proceeding.
STC transducers don't require a lot of care and attention. Once installed correctly, you don't need to remove them from the rail for cleaning or readjustment.
- 6 At trackside, check all transducer-mounting bolts on all tracks to make sure that all transducers are snug against the rail.

Four bolts are needed to hold the transducer in place. Two square-head bolts go through the mounting plate and transducer body. Two hex-head bolts go through the mounting plate and rail. If any of these bolts are sheared or missing, they must be replaced with the correct replacement bolt. Also, if any washers or nuts are missing, they must be replaced.

- 7 If all transducers aren't snug against the rail, fix this problem before proceeding.
Each installed transducer body should be 1-9/16 inches (3.97 centimeters) below the top of the rail and parallel to it. You can meet this requirement by using the transducer height bracket on the bottom of the alignment fixture.

- 8 Place the alignment fixture across both rails, centered over each transducer in turn.
- 9 Check if each transducer body just touches the bracket.



The fixture should be snug against the top and gauge of both rails. This may be impossible if the transducer body is less than 1-9/16 inches (3.97 centimeters) below the top of the rail or if the transducer body isn't parallel to the top of the rail.

- 10 If a transducer body doesn't just touch the bracket:
 - a Loosen the nuts holding the transducer body to its mounting plate.
 - b By sliding it up and down, adjust the transducer body to the proper height.
 - c Tighten each hex nut with a 9/16-inch torque wrench to a **torque of 12 to 15 foot-pounds (16.3 to 20.3 newton-meters)**.

Don't exceed a torque of 15 foot-pounds (20.3 newton-meters). Doing so can weaken or break a bolt, requiring the bolt to be replaced.

- 11 At the trackside, check all scanner-mounting bolts on all tracks.
- 12 If all scanner mounts aren't snug against the gauge side of the rail, fix this problem before proceeding.
- 13 From under all scanners, remove ballast that could damage the scanner during train passage.
- 14 Remove all obstructions to the scan path of each scanner.
- 15 If the wayside enclosure isn't attached to a properly installed outside grounding system, fix this problem before proceeding.
- 16 At all outlets inside the wayside enclosure, check if the AC power is stable and at least 110 volts at 20 amperes.
- 17 If the AC power isn't stable or if it isn't at least 110 volts at 20 amperes, fix this problem before proceeding.
- 18 If not all outlets inside the wayside enclosure are grounded properly, fix this problem before proceeding.

- 19 If the battery is dead, damaged, or emitting a strong sulfurous odor, replace it before proceeding.

WARNING

In operation, batteries generate and release flammable hydrogen gas, which, if ignited by a burning cigarette, naked flame, or spark, may cause battery explosion with a dispersion of casing fragments and corrosive liquid electrolyte. So, carefully follow the manufacturer's instructions for installation and service. Keep all sources of gas ignition away from the batteries and do not allow metallic articles to contact the negative and positive terminals of a battery at the same time.

WARNING

A damaged or aged battery, in combination with the connected battery charger, can pose a serious health threat. The battery can produce hydrogen sulfide gas, which is characterized by its unique "rotten egg" smell. So, when a strong sulfurous odor is detected, remove power to the battery charger and check the battery for excessive heating. Do not inhale the fumes.

- 20 If the battery charger hasn't been properly grounded, fix this problem before proceeding.
- 21 If the SmartScanNG² enclosure hasn't been properly grounded, fix this problem before proceeding.

There are vents on the top, bottom, and sides of the charger. Blocking any of these vents could result in damage to the charger or battery.

- 22 Remove anything that is blocking the vents on the battery charger.

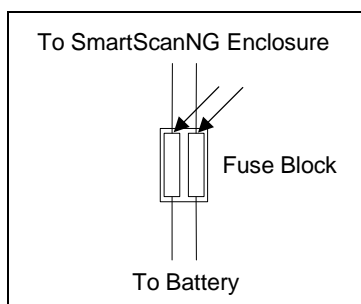
One end of the battery temperature probe cable has a three-pin plug, which plugs into a receptacle on the front of the battery charger. The other end, which has a temperature sensor sealed in it, should be attached to the negative battery post. If the battery temperature probe is defective or not installed, the red defective LED is lit.

- 23 On the front of the battery charger, if the red defective-temperature-probe LED is lit, fix the underlying problem before proceeding.

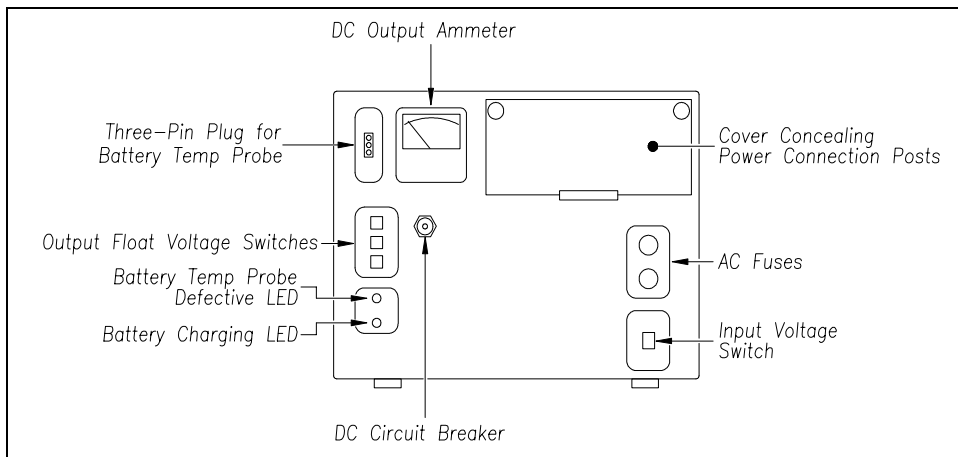
- 24 Switch the multimeter to the DC volts scale.

The **equipment side** of the fuse block is directly wired to the SmartScanNG² enclosure. The **battery side** of the fuse block is wired to the battery via the distribution block.

- 25 Touch the leads from the multimeter to the terminals on the equipment side of the fuse block.



- 26** If the voltage (on the equipment side of the fuse block) is 12.3 through 14 VDC, go to step **30**.
- 27** If the voltage (on the equipment side of the fuse block) is 0 VDC:
- a** Touch the leads to the terminals on the battery side of the fuse block.
 - b** If the voltage (on the battery side of the fuse block) is greater than 0 VDC, replace each fuse in the fuse block with a BAF-25 (25-amp 250-volt) fast-acting fuse and return to step **25**.
 - c** If the voltage (on the battery side of the fuse block) is 0 VDC, fix any wiring problems between the fuse block, the distribution block, the battery, and the charger.
 - d** Return to step **25**.
- 28** If the voltage is less than 12.3 VDC:
- a** On the battery charger, check the input voltage switch for proper setting.



The input voltage switch can be set to 115 VAC or 230 VAC. Use 115 for input voltages between 108 and 128. Use 230 for input voltages between 216 and 256.

- b** On the battery charger, check the output float voltage switches.
- c** If the switches are set lower than 12.30 VDC, reset them to 14.00 VDC.

To reset the switches, use a small slotted screwdriver to turn each switch to the desired number. The ten's digit is always 1 and can't be changed. The top switch controls the unit's digit. The middle switch controls the tenth's digit. The bottom switch controls the hundredth's digit. The factory default is **14.00 VDC**, which is the **recommended setting**. To select 14.00 VDC, turn the top switch to 4, the middle switch to 0, and the bottom switch to 0.

- d Open the small door cover on the top-right corner of the front of the charger.

Do not touch the uninsulated parts of the wires or the charger's binding posts. Doing so could result in sparks, burns, or electric shock.

- e Check that all binding posts nuts are tight and that all wiring is correct.
- f On the battery charger, check the AC fuses to see if either is blown.
- g If blown, replace with 4-amp 250-volt fast-acting fuses.
- h On the battery charger, check the DC circuit breaker to see if it is open (tripped).
When closed, about 0.09 inch (0.23 centimeters) of the breaker's button is seen.
When open, the button is popped out, showing about 0.25 inch (0.64 centimeters).
- i If open (tripped), push the breaker's button in to reset the DC circuit breaker.
- j Check to see if the battery charger is plugged in.
- k If the battery charger isn't plugged in, plug it in.
- l Check the battery-charging LED.

If the battery is charging properly, the yellow battery-charging LED is lit solid. If one or more of the output float voltage switches are set between numbers, the yellow battery-charging LED flashes.

- m If the yellow battery-charging LED is not lit, call STC for help in fixing this problem.
- n If the yellow battery-charging LED is lit solid, monitor the voltage for ten minutes.
If the voltage is gradually increasing, the battery is probably charging. After the battery has charged for five hours, the battery voltage should be very near the float voltage setting. If the voltage isn't gradually increasing, the battery is probably not charging. This may indicate that the battery is defective and should be replaced.

29 If the voltage is greater than 14 VDC:

- a Check the output float voltage switches on the center-left edge of the battery charger.
- b Be sure that each switch is set on a number and not between numbers.
- c If the switches are set to 14.00 VDC or less, cut all power to the SmartScanNG² system and call STC for help in fixing this problem.
- d If the switches are set higher than 14.00 VDC, reset them to 14.00 VDC and return to step **25**.

To reset the switches, use a small slotted screwdriver to turn each switch to the desired number. The ten's digit is always 1 and can't be changed. The top switch controls the unit's digit. The middle switch controls the tenth's digit. The bottom switch controls the hundredth's digit. The factory default is **14.00 VDC**, which is the **recommended setting**. To select 14.00 VDC, turn the top switch to 4, the middle switch to 0, and the bottom switch to 0.

30 On the display panel, look at the COP-A and COP-B LEDs.



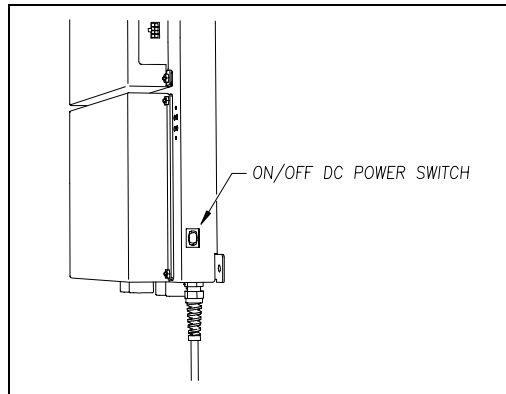
The COP LEDs indicate the condition of the CPUs. If both CPUs are running their programs correctly, their LEDs blink on and off. If a program isn't operating as expected, the LED for the affected CPU is lit solid or isn't lit at all.

- 31 If either or both of the **COP LEDs** are lit solid or aren't lit at all, call STC for help in fixing this problem.
- 32 On the display panel, look at the **SYS WARN** LED. If a system warning has been flagged, the SYS WARN LED will be lit, and the Check System Health message will be displayed on the bottom text line of the home screen. The Sys. Health Menu provides a status indicator for the various system health checks.
- 33 To see if the system is being activated by the gating transducers:
 - a Produce a Train Detail Report for the last train.
Section 6.0 - Producing Reports tells how to produce this report.
 - b On the Train Detail report, check under the System Alarms section of the report for the words "No Approach Track."

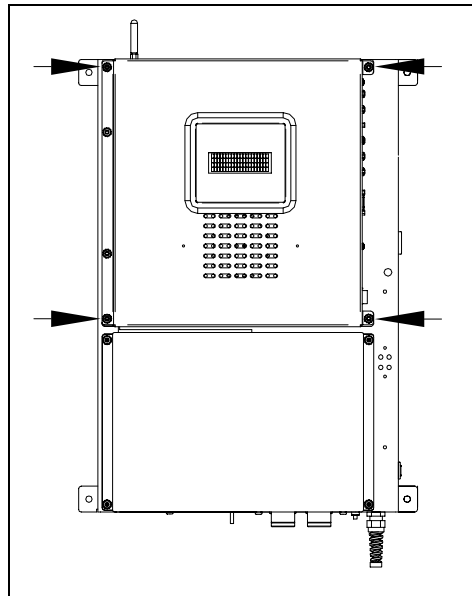
The No Approach Track alarm indicates that the track circuit (or the advance transducers) failed to signal the presence of a train and that the SmartScanNG² system started from the train passing over the gating transducers.
 - c If the words "No Approach Track" don't appear, go to step 37.
- 34 If your system uses advance transducers, go to step 36.

35 If your system uses a track circuit:

- a** Toggle off the DC power switch on the right edge of the SmartScanNG² enclosure.

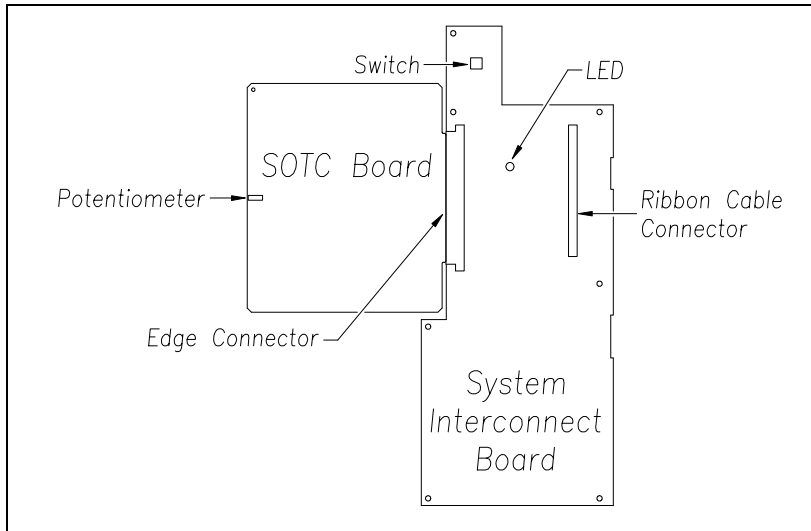


- b** Unplug the Molex and ribbon cables from the Controller module.
- c** Remove the four nuts that hold the Controller module to the rest of the SmartScanNG² enclosure.



- d** Detach the Controller module from the rest of the SmartScanNG² enclosure.

The SOTC board and the System-Interconnect board are now visible. On some System-Interconnect boards, the LED is to the right of the ribbon cable connector.



- e** Store the removed Controller module and nuts in a safe place until you replace them.
- f** Toggle on the DC power switch on the right edge of the SmartScanNG² enclosure.
- g** From the center of the gating transducer farthest from the track circuit, measure the shortest distance you want the track circuit to pick up the presence of a train. The distance must be at least 15 feet (4.6 meters) and no more than 150 feet (45.7 meters).
- h** At the point just measured, place a hardwire shunt across both rails. When lit, the LED on the System-Interconnect board indicates a received signal from the track circuit.
- i** Using a small slotted screwdriver, turn the potentiometer on the SOTC board until the LED on the System-Interconnect board goes out. The potentiometer can be reached through a hole in the side of the SmartScanNG² enclosure.
- j** Using a small slotted screwdriver, turn the potentiometer on the SOTC board until the SOTC relay just picks up the signal from the track circuit. The relay just picks up the signal when the LED on the System-Interconnect board first lights.
- k** Remove the hardwire shunt.
- l** Place the hardwire shunt across both rails at the point 5 feet (1.5 meters) beyond the measured point (that is, five feet farther from the gating transducer).
- m** If the LED on the System-Interconnect board is still lit, return to step **g**.

- n Remove the hardwire shunt.
- o Toggle off the DC power switch on the right edge of the SmartScanNG² enclosure.
- p Reattach the Controller module to the rest of the SmartScanNG² enclosure.
- q Plug the Molex and ribbon cables into the Controller module.
- r Toggle on the DC power switch on the right edge of the SmartScanNG² enclosure.
- s Go to step **37**.

36 If your system uses advance transducers:

You will next verify that each advance transducer is functional.

- a Using a metal wrench, stroke the top of one of the advance transducers.
The scanner shutters should open completely for 10 seconds.
- b On one of the bearing scanners, check to see if the shutter opens.
- c If the shutter didn't open, fix this problem before proceeding.
- d Using a metal wrench, stroke the top of the other advance transducer.
The scanner shutters should open completely for 10 seconds.
- e On one of the bearing scanners, check to see if the shutter opens.
- f If the shutter didn't open, fix this problem before proceeding.

37 Produce a Train Summary report.

Section 6.0 - Producing Reports tells how to produce this report.

The Train Summary report lists all trains currently stored in the Trains directory. A line of information is shown for each train entry. The report is divided into a header section and a detail section. The header section contains general information about the site. The detail section contains summary information on each train that passed the site.

38 On the Train Summary report, check the Axles column.

Axle count should be an even number. Odd-numbered axle counts are possible indications of gating transducer problems.

39 If there is an odd axle count and if train speed was always above 7 mph, go to step **41**.

If at any time during train passage the train speed was less than or equal to 7 mph (11.3 kph), gating transducer problems probably don't exist. If the train speed was always above 7 mph, gating transducer problems probably do exist.

The Very Slow Train alarm indicates that, at some point during train passage, four consecutive axles crossed the gating transducers at a speed of 7 mph (11.3 kph) or less. This alarm appears on a Train Detail report.

If there are many slow trains (that is, many trains traveling less than 7 mph) at this site, it may be necessary to relocate the scanners and other track hardware to a better location. Deciding to do this should be made in consultation with STC. Relocating a site is beyond the scope of this document.

- 40** If there is an even axle count and the values under "Axles," "T01," and "TO2" are the same, go to step **45**.

If things are working correctly, all three values for a given train should be equal. You'll do the next step only if things aren't working correctly.

- 41** Determine which gating transducer is recording incorrect information.

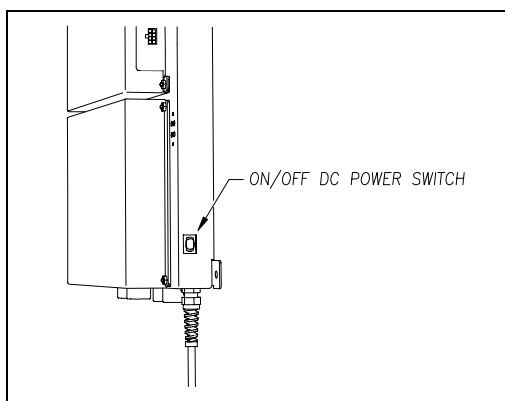
Determine which gating transducer is recording incorrect axle counts and whether it is not counting all axles or counting extra ones. You may not be able to do this by just looking at the values under the Axles, T01, and TO2 columns of the Train Summary report. Sometimes, a transducer problem causes the number in the Axles column to be incorrect. Therefore, the true axle count may have to be determined from an alternate source, such as the next detector system that encounters the train with the transducer-count imbalance.

After you determine which gating transducer is miscounting, you'll need to change a jumper setting on the Interface board. If TO1 is the problem, you'll change the setting for J201. If TO2 is the problem, you'll change the setting for J202. If both TO1 and T02 have a problem, both jumpers will need to be changed.

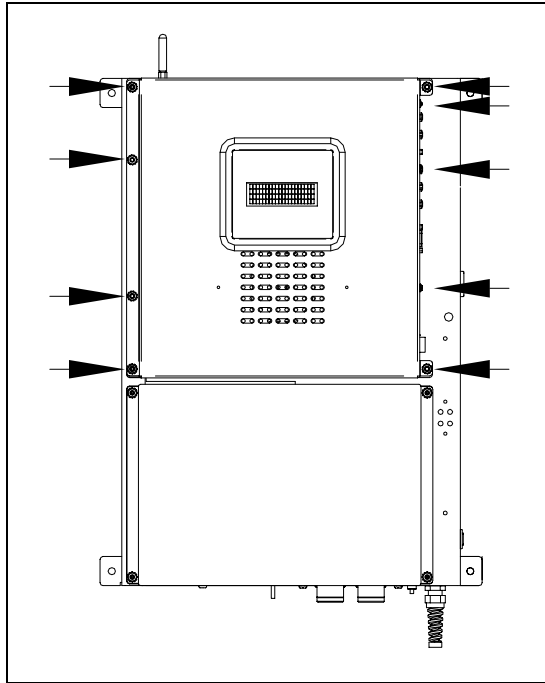
Changes to the jumpers should be made only after all external conditions that cause transducer miscounts have been corrected. Some of these external conditions are improperly installed transducers, loose transducer bolts, incorrect transducer heights, damaged transducers, damaged transducer cables, and loose wiring connections. You should have already checked and corrected for these external conditions in steps **4** through **10** above. If you think the corrections you made in those steps fixes gating transducer miscounting, you can skip some of the steps below.

The process of adjusting the transducer loading is trial and error. Generally, if you have too many transducer counts, lower the loading resistance to make the transducer less sensitive. Likewise, too few counts suggest that the transducer is not sensitive enough, so you would select a loading value with more resistance.

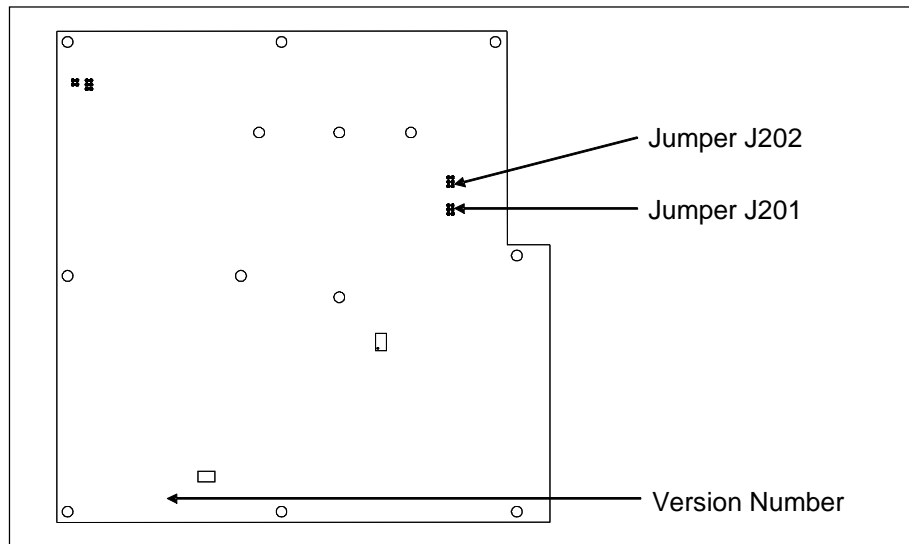
- 42** If you corrected all external conditions that negatively affect gating transducers and you think this fixes gating transducer miscounting, go to step **45**.
- 43** If the selected gating transducer appears to be missing axles (that is, the transducer that is showing a number of hits less than the true axle count):
- a** Toggle off the DC power switch on the right edge of the SmartScanNG² enclosure.



- b** Remove the six nuts and three screws holding the cover over the Interface board.



The Interface board is now visible.



- c** To prevent the base assembly from falling, replace two of the just removed nuts onto the top two mounting studs on the SmartScanNG² enclosure.
- d** Store the removed cover, three screws, and remaining four nuts in a safe place until you replace them.

The available loading sensitivities vary depending on which version of Interface board you have and whether resistors are attached to the jumpers or not. The version number is printed on the lower-left edge of the board.

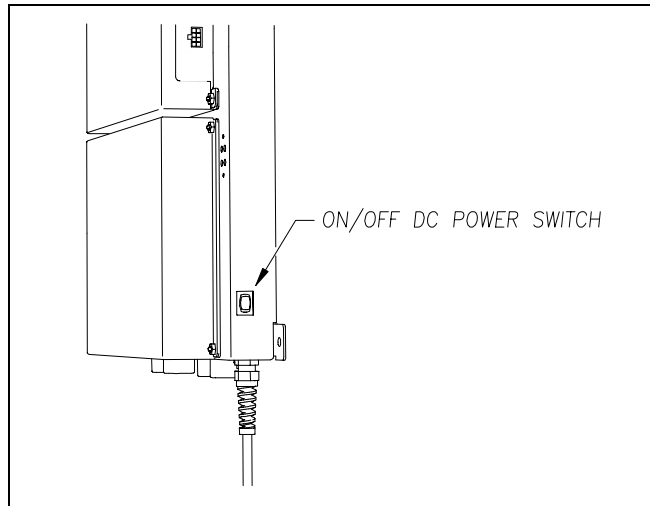
- e The table below lists the highest, middle, and lowest sensitivity for transducer loading. Highest is the most sensitive. The jumper's top position is the one closest to the external speaker.

J201 or J202 Jumper Position	Sensitivity Level
Top	Lowest Sensitivity
Center	Middle Sensitivity
Bottom	Highest Sensitivity

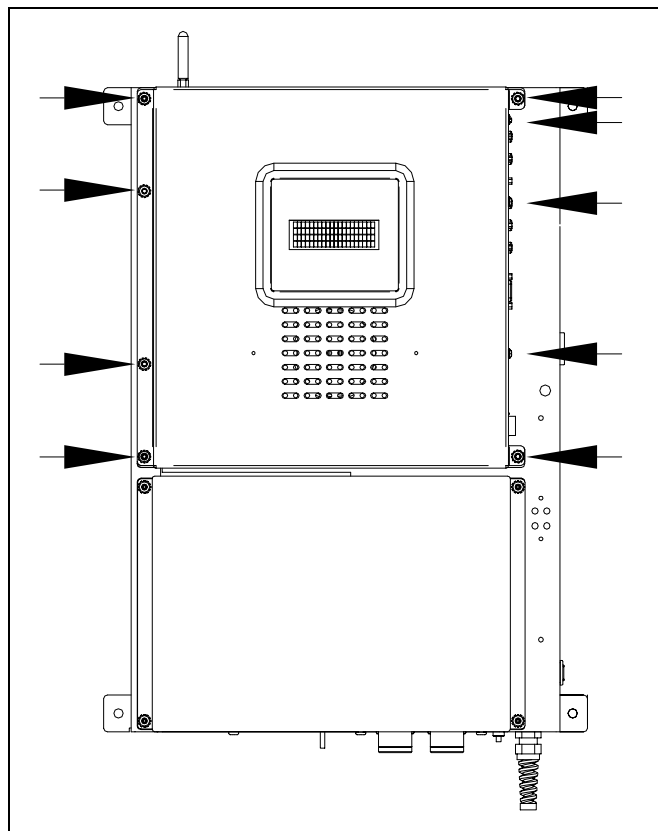
- f If TO1 is the selected gating transducer and the J201 jumper is currently on the lowest sensitivity position, move it to the middle sensitivity position.
- g If TO1 is the selected gating transducer and the J201 jumper is currently on the middle sensitivity position, move it to the highest sensitivity position.
- h If TO1 is the selected gating transducer and the J201 jumper is currently on the highest sensitivity position, call STC for help in fixing this problem.
- i If TO2 is the selected gating transducer and the J202 jumper is currently on the lowest sensitivity position, move it to the middle sensitivity position.
- j If TO2 is the selected gating transducer and the J202 jumper is currently on the middle sensitivity position, move it to the highest sensitivity position.
- k If TO2 is the selected gating transducer and the J202 jumper is currently on the highest sensitivity position, call STC for help in fixing this problem.
- l Remove the two nuts holding the base assembly to the SmartScanNG² enclosure.
- m Using the saved six nuts and three screws, reattach the cover over the Interface board.
- n Toggle on the DC power switch on the right edge of the SmartScanNG² enclosure.

44 If the selected gating transducer appears to be counting extra axes (that is, the transducer that is showing a number of hits more than the true axle count):

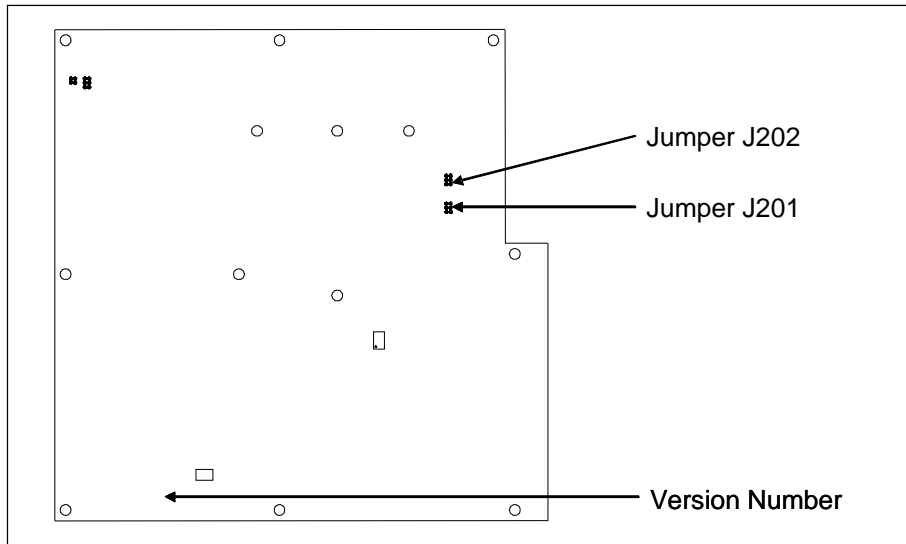
a Toggle off the DC power switch on the right edge of the SmartScanNG² enclosure.



b Remove the six nuts and three screws holding the cover over the Interface board.



The Interface board is now visible.



- c To prevent the base assembly from falling, replace two of the just removed nuts onto the top two mounting studs on the SmartScanNG² enclosure.
- d Store the removed cover, three screws, and the remaining four nuts in a safe place until you replace them.

The available loading sensitivities vary depending on which version of the Interface board you have and whether resistors are attached to the jumpers or not. The version number is printed on the lower-left edge of the board.

- e The table below lists the highest, middle, and lowest sensitivity for transducer loading. The highest is the most sensitive. The jumper's top position is the one closest to the external speaker.

J201 or J202 Jumper Position	Sensitivity Level
Top	Lowest Sensitivity
Center	Middle Sensitivity
Bottom	Highest Sensitivity

- f If TO1 is the selected gating transducer and the J201 jumper is currently on the highest sensitivity position, move it to the middle sensitivity position.
- g If TO1 is the selected gating transducer and the J201 jumper is currently on the middle sensitivity position, move it to the lowest sensitivity position.
- h If TO1 is the selected gating transducer and the J201 jumper is currently on the lowest sensitivity position, call STC for help in fixing this problem.
- i If TO2 is the selected gating transducer and the J202 jumper is currently on the highest sensitivity position, move it to the middle sensitivity position.
- j If TO2 is the selected gating transducer and the J202 jumper is currently on the middle sensitivity position, move it to the lowest sensitivity position.
- k If TO2 is the selected gating transducer and the J202 jumper is currently on the lowest sensitivity position, call STC for help in fixing this problem.

- l Remove the two nuts holding the base assembly to the SmartScanNG² enclosure.
 - m Using the saved six nuts and three screws, reattach the cover over the Interface board.
 - n Toggle on the DC power switch on the right edge of the SmartScanNG² enclosure.
- 45 To use the serial interface to open the scanner shutters:
- a Using the serial interface, display the Main menu.
Section 4.0 - Serial Interface tells how to display the Main menu
 - b Select the System Functions Menu

```

System Functions Menu
-----
[A] - Radio Test
[B] - Vocabulary Test
[C] - Radio Inhibit
[D] - Start Manual Train
[E] - 1KHz Test Tone
[F] - Auto-Calibration
[G] - Remote System RESET
[H] - Delete All Stored Train Data
[I] - Clear Event Log
      .
      .
      .

```

- c To open the shutters, select the Auto-Calibration option.
The protective shutters in all scanners should open and stay open for three minutes. This might not be enough time to check and clean the shutters and optics. If that isn't enough time, select this option again.
- 46 In each scanner, check if its shutter opened.
- 47 If any shutter didn't open, fix this problem before proceeding.
- 48 In each scanner, check for dirty optics.
- 49 If dirty, clean the scanner optics with the supplied lens cleaning kit.

Do not use solvents, ammonia-based cleaning solutions, or isopropyl alcohol on the optics. Use clean water or a mild solution of dishwashing liquid. After the liquid on the optics dries, lightly wipe the optics with a clean, dry chamois patch.

- 50 If the date and time displayed on the top of the System Functions menu are incorrect, fix them before proceeding.
Section 4.0 - Serial Interface tells how to change the date and time.
- 51 To check the operation of the radio:
- a From the System Functions menu, select Radio Test.
During a radio test, the SmartScanNG² system outputs phrases through the speaker and through the radio. Alternatively, you can output a 1kHz test tone instead of phrases. To do this, you would select the 1KHz Test Tone option.

- b While listening to the message or tone, look at the display panel.

The PTT LED should be lit.

If this LED isn't lit, the system's ability to send a message or tone to the radio might be inhibited. This can happen when one uses the Radio Inhibit option on the System Functions menu. If the radio is inhibited, the results of this check are invalid.

- c If the PTT LED isn't lit and the radio isn't inhibited, call STC for help in fixing this problem.

52 To check the integrity of the speech data:

- a Be sure that the speaker has its volume set to an audible level.

- b Using the serial interface, display the Main menu.

Section 4.0 - Serial Interface tells how to display the Main menu.

```
      .
      .
      .
[J] - Event log
[K] - System Functions Menu
[L] - Replay train
[M] - Security Menu
[X] - Exit
```

- c Select the System Functions menu.

```
System Functions Menu
-----
[A] - Radio Test
[B] - Vocabulary Test
[C] - Radio Inhibit
[D] - Start Manual Train
      .
      .
```

- d From the System Functions menu, select Vocabulary Test

This message appears.

```
Starting Vocabulary Test
```

If the system isn't currently making any other voice announcements, it begins the Vocabulary Test announcement. The SmartScanNG² system outputs phrases through the speaker but not through the radio. After the announcement finishes, the System Functions menu reappears.

If the system is currently making a voice announcement, the firmware displays the "System Is Currently Making Voice Announcements! Try Again Later" message, and the System Functions menu reappears.

- e If you hear nothing or speech that is too garbled to understand, call STC for help in fixing this problem.

53 To generate a test train to check the number of axles:

- a** Quickly stroke the top of each gating transducer with a metal wrench, alternating between TO1 and TO2.
- b** Repeat step **a** nine more times, for a total of **ten** simulated axles.
- c** Wait for the system to time out and the shutters to close.
- d** Produce a Train Detail report for the last train.

Section 6.0 - Producing Reports tells how to produce this report.

- e** On the report, check that the number of axles agrees with the number of times that you stroked the gating transducers.
- f** On the report, if the number of axles doesn't agree with the number of times that you stroked the gating transducers, call STC for help in fixing this problem.

54 To generate a test train to check hot bearings:

STC recommends that you use the calibrated heat source (2100-810NG) only when the outside (ambient) temperature is above 0°F (-18°C) and below 90°F (32°C). If you must use it at other times, do so only when the needle is centered on the front of the temperature meter. If the needle isn't stabilized within ± 2 degrees of setpoint, the heat source isn't operating properly.

- a** Ready the calibrated heat source.

The heat source has reached operating temperature and stabilized when the temperature meter needle remains centered.

- b** With the power cord to the front of the scanner, place the calibrated heat source on the bearing scanner that is on the rail with the gating transducers.
- c** Quickly stroke the top of each gating transducer with a metal wrench, alternating between TO1 and TO2 for a total of **six** simulated axles.

You should hear the real-time defect message. No matter how many defects are found, the real-time defect message is only announced once.

- d** Wait for the system to time out, which normally takes about 10 seconds.

You should hear an end-of-train message with three Hotbox alarms. Per train, only the first three Hotbox alarms are ever announced.

- e** Listen to be sure that the Hotbox alarms are announced and that they are announced for the correct side.

If you do not hear anything, no alarm-level heat was recorded. No measurable heat from a bearing scanner may be due to loose connections, a scanner not being connected to the bottom of the SmartScanNG² enclosure, a defective shutter motor in the scanner, or a damaged scanner.

- f** If you do not hear any Hotbox alarms being announced, fix this problem before proceeding.

- g** If the Hotbox alarms are announced for the wrong side, switch the bearing scanner connections on the bottom of the SmartScanNG² enclosure.

- h** Repeat the test, this time placing the calibrated heat source on the bearing scanner on the opposite rail

i Verify the results as before.

If the results are correct, your system should function properly when scanning the bearings of real trains.

j Remove the calibrated heat source.

k Store the calibrated heat source and its cable in the wayside enclosure.

55 On the Train Summary report, check the column marked "Average."

For each train, the values in the two columns under this heading should be within four degrees of each other.

56 If the columns aren't within four degrees and if the scanner optics are clean, recalibrate and realign the scanner.

Appendix E & F - Calibration of Type II/Type III Scanners tells how to calibrate the scanners.

57 On the Train Summary report, check the last column of the report.

The last column shows the battery voltage at the time each train passed the site. It should show values between 13.0 and 14.5 volts. Values outside this range may be caused by:

- No AC power for an extended period
- Improperly adjusted float voltage
- Defective battery
- Blown fuses
- Defective battery charger

58 If the most recent value isn't between 13.0 and 14.5 volts, investigate and fix any problems before proceeding.

59 If this is a double-track site, repeat steps **18** through **59** for the other track (that is, for the other SmartScanNG² system).

9.0 Customer Service

At STC, the customer is number one. STC is committed to products that work and customers that are satisfied. Nothing less is acceptable. This section tells how to get answers for questions, fixes for problems, and parts for spares.

9.1 Reaching STC

You can reach STC by mail, telephone, fax, and email. By mail, you can reach STC at:

Southern Technologies Corporation
6145 Preservation Drive
Chattanooga, Tennessee 37416-3638
USA

Mail and shipments are replied to as soon as possible, normally within one working day. Equipment repair usually takes longer.

By telephone, you can reach STC at 423-892-3029, Monday through Friday, from 8:00 a.m. until 5:00 p.m. Eastern time. After business hours, a machine answers the calls. These calls are returned promptly the next business day. By fax, you can reach STC at 423-499-0045. The fax machine can receive faxes at all times. Faxes are replied to as soon as possible, normally within one working day. By email, you can reach STC at email@southern-tech.com. Email is replied to as soon as possible, normally within one working day.

9.2 Returning Equipment for Repair

Return any defective or malfunctioning equipment to STC for repair or replacement. You don't need a return authorization number. You don't even need to make a telephone call first. Just ship it directly to the **Repair Department** at the address above.

With the returned equipment, include:

- Complete address of where the equipment is to be returned.
- Name and telephone number of the person who should be contacted to answer questions about the equipment.
- A written explanation of the equipment defect or malfunction.
- Any reports or other data that would be helpful in diagnosing the problem.
- If out of warranty, credit card number (to be charged) with its expiration date.

9.3 Reporting Problems or Suggestions

If you have any problems, suggestions, or questions related to STC equipment, telephone the **Engineering Department** at the telephone number above. When calling, state the equipment you're calling about. Your call will then be directed to the right person.

9.4 Ordering Spare Parts

If you need any spare parts to support STC equipment, telephone or fax the **Sales Department** at the telephone numbers above.

When calling, state that you're calling to order parts. Your call will then be directed to the right person. When placing the order, reference the STC part numbers listed in this guide. However, if you don't have the part numbers, the sales staff can obtain them for you and provide you with current pricing and availability.

When faxing, include:

- Purchase Order Number for the order or credit card number (to be charged) with its expiration date.
- Complete address where the parts are to be shipped.
- Complete address where the invoice is to be mailed.
- Name and telephone number of the person who should be contacted to answer questions about the order.
- Your fax number, if available.
- For each item ordered, part number, complete description, and quantity needed.

9.5 Checking on Shipments and Orders

If you need to check on the status of any shipment or order, telephone or fax the **Sales Department** at the telephone numbers above.

When calling, state that you're checking the status of a shipment or order. Your call will then be directed to the right person. Have your Purchase Order Number ready when you call. However, if you don't have the order number, the sales staff can locate your order number and provide you with the status of the shipment or order.

When faxing, include:

- Purchase Order Number for the shipment or order being checked.
- Name and telephone number of the person who should be contacted after the order status is checked.
- Your fax number, if available.

Appendix A

System Alarms

This appendix describes the conditions and events that the SmartScanNG² system flags as System Alarms. These alarms provide data about passing trains and system status. These alarms are listed under the System Alarms section of the Train Detail and Exception Detail reports. **Section 6.0 - Producing Reports** tells how to produce these reports.

A.1 Cold Rail Alarm

The Cold Rail alarm indicates that the temperatures of all bearings (of the train) on the designated rail were below a given temperature. When no bearing on a given rail generates a delta temperature reading greater than or equal to the temperature set by the **Cold Rail Temperature option** on the Alarm Settings menu, the system generates a Cold Rail alarm. **Section 4.0 - Serial Interface** tells how to view or change the Cold Rail Temperature option.

Alarm Settings	

[A] - Absolute	150
[B] - Differential	255
[C] - Hot Wheel (N/E Bound)	500
[D] - Hot Wheel (S/W Bound)	500
[E] - Cold Rails	3
[F] - Cold Rail Temp	10
[G] - Cold Res Counter	3
[H] - Differential Enabled	No
[I] - Advanced	
[X] - Exit	

There is a different Cold Rail alarm for each rail. That is, there is a Cold North Rail alarm and a Cold South Rail alarm (or, depending on track direction, a Cold East Rail alarm and a Cold West Rail alarm).

The maximum number (per railside) of consecutive trains, having Cold Rail alarms, allowed before generating a Successive Cold Rails Exceeded alarm is set by the **Cold Rails option** on the Alarm Settings menu. If the number of consecutive trains bearing identical Cold Rail alarms equals or exceeds the cold-rail-alarm limit, the System Alarms section of the Train Detail and Exception Detail reports displays the message "Successive Cold Rails Exceeded." Successive Cold Rails Exceeded alarms are covered in the next appendix. **Section 4.0 - Serial Interface** tells how to view or change the Cold Rails option.

```

      •
      •
      •
Alarm Settings
-----
[A] - Absolute ..... 150
[B] - Differential ..... 255
[C] - Hot Wheel (N/E Bound) ..... 500
[D] - Hot Wheel (S/W Bound) ..... 500
[E] - Cold Rails ..... 3
[F] - Cold Rail Temp ..... 10
[G] - Cold Res Counter ..... 3
[H] - Differential Enabled ..... No
[I] - Advanced
[X] - Exit

```

A.2 Cold Resistor Alarm

A resistor is mounted to the inside of the bearing scanner's shutter. A voltage is applied to this resistor while the shutter is open, causing it to heat up. After a train has left a site and the shutters have closed, the temperature of the resistor is read by the scanner pyrometer. In this way, a check of the system's ability to read heat correctly is made. The Cold Resistor alarm indicates that the minimum value expected for the temperature of the resistor wasn't met. This minimum value is determined by the firmware and is dependent upon the time it takes a train to pass a site.

If the **minimum value** wasn't met, a second check compares the recorded resistor temperature against the limit that was established using the Absolute option on the Alarm Settings menu. (This alarm limit is an offset, in degrees Fahrenheit, above the ambient temperature.) If the recorded resistor temperature meets or exceeds the absolute-alarm limit, the firmware cancels any previously flagged Cold Resistor alarms. **Section 4.0 - Serial Interface** tells how to view or change the Absolute option.

```

Alarm Settings
-----
[A] - Absolute ..... 150
[B] - Differential ..... 255
[C] - Hot Wheel (N/E Bound) ..... 500
      •
      •
      •

```

There is a different Cold Resistor alarm for each rail. That is, there is a Cold North Resistor alarm and a Cold South Resistor alarm (or, depending on track direction, a Cold East Resistor alarm and a Cold West Resistor alarm).

The **maximum number** (per rai-side) of consecutive trains having Cold Resistor alarms allowed before generating a Successive Cold Resistors Exceeded alarm is set by the **Cold Resistor Counter option** on the Alarm Settings menu. Successive Cold Resistors Exceeded alarms are covered in the next appendix. **Section 4.0 - Serial Interface** tells how to view or change the Cold Resistor Counter option.

```
      .  
      .  
      .  
[F] - Cold Rail Temp ..... 10  
[G] - Cold Res Counter ..... 3  
[H] - Differential Enabled ..... No  
[I] - Advanced  
[X] - Exit
```

A.3 Cold Wheel Scanner Alarm

The Cold Wheel Scanner alarm represents the wheel scanner's equivalent of the bearing scanner's Cold Rail alarm. When no wheel on a given rail generates a delta temperature reading greater than or equal to a preset minimum, the system generates a Cold Wheel Scanner alarm. The preset minimum temperature is determined by the firmware and is currently 9°F above ambient (5°C above ambient). The customer can't change this value. Just like Cold Rail alarms, separate Cold Wheel Scanner alarms exist for each rail side.

The maximum number (per rai-side) of consecutive trains having Cold Wheel Scanner alarms allowed before generating a Successive Cold Wheels Exceeded alarm is set by the **Cold Rails option** on the Alarm Settings menu. Successive Cold Wheels Exceeded alarms are covered in the next appendix. **Section 4.0 - Serial Interface** tells how to view or change the Cold Rails option.

```
      .  
      .  
      .  
[D] - Hot Wheel (S/W Bound) ..... 500  
[E] - Cold Rails ..... 3  
[F] - Cold Rail Temp ..... 10  
[G] - Cold Res Counter ..... 3  
[H] - Differential Enabled ..... No  
[I] - Advanced  
[X] - Exit
```

A.4 Cold Wheel Scanner Resistor Alarm

The Cold Wheel Scanner Resistor alarm represents the wheel scanner's equivalent of the bearing scanner's Cold Resistor alarm. Evaluation of Cold Wheel Scanner Resistor alarm occurs in two stages. The first stage mimics the same logic used in the evaluation of Cold Resistor alarms. After finishing this check and possibly flagging a Cold Wheel Scanner Resistor alarm, the firmware compares the recorded resistor temperature against a value of one-third of the hot wheel alarm limit. If the recorded resistor temperature meets or exceeds this value, the firmware cancels any previously flagged Cold Wheel Scanner Resistor alarm. In this way, the system confirms the scanner's ability to read alarm level heat. Just like Cold Resistor alarms, separate Cold Wheel Scanner Resistor alarms exist for each rail side.

The maximum number (per railside) of consecutive trains having Cold Wheel Scanner Resistor alarms allowed before generating a Successive Cold Wheel Resistors Exceeded alarm is set by the Cold Rails option on the Alarm Settings menu. Successive Cold Wheel Resistors Exceeded alarms are covered in the next appendix. **Section 4.0 - Serial Interface** tells how to view or change the Cold Rails option.

```
      .  
      .  
      .  
[D] - Hot Wheel (S/W Bound) ..... 500  
[E] - Cold Rails ..... 3  
[F] - Cold Rail Temp ..... 10  
[G] - Cold Res Counter ..... 3  
[H] - Differential Enabled ..... No  
[I] - Advanced  
[X] - Exit
```

A.5 Highrange Transducer Miscounts Alarm

The Highrange Transducer Miscounts alarm indicates that the transducer counts for TO1 and TO2 are off by seven or more. This calculation is made after each axle crosses both gating transducers. When this alarm occurs, the system won't announce axle count, exit speed, length of train, or total number of cars (even if these messages are enabled).

The Highrange Transducer Miscounts alarm can be either a System Alarm or an Integrity Failure, depending on the presence of a Very Slow Train alarm. If a highrange transducer miscount occurs on a train that also contains a Very Slow Train alarm, the firmware treats the miscount condition as a System Alarm. This logic assumes that the train's slow rate of travel likely caused the transducer miscount condition. If a highrange transducer miscount occurs on a train traveling faster than 7 mph (11.3 kph), the firmware treats the miscount condition as an Integrity Failure.

A.6 Integrity Failure Alarm

The Integrity Failure alarm indicates that the SmartScanNG² system determined that a condition exists that could prevent proper scanning of a train. In other words, this alarm indicates the existence of one or more conditions in which the integrity of the system, and its ability accurately to record train data, may be compromised. These unusual conditions, called Integrity Failures, may require train stoppage, later maintenance, or both. They are covered in the next appendix.

A.7 Low Battery Alarm

The Low Battery alarm indicates a float voltage of at least 11.8 volts, but less than 12.6 volts, on the standby battery.

A.8 Midrange Transducer Miscounts Alarm

The Midrange Transducer Miscounts alarm indicates that the transducer counts for TO1 and TO2 are off by five or six. This calculation is made after each axle crosses both gating transducers.

A.9 No Approach Track Alarm

The No Approach Track alarm indicates that the track circuit (or the advance transducers) failed to signal the presence of a train and that the SmartScanNG² system started from the train passing over the gating transducers.

NOTE: This alarm is suppressed if the Presence Hardware is set to “No” in Equipment Setup Menu.

A.10 Pyrometer Noise Filtered Rail Alarm

The Pyrometer Noise Filtered Rail alarm indicates that a pyrometer in a bearing scanner might be becoming unreliable. This alarm isn't considered an Integrity Failure and, therefore, won't result in “Not Working” being part of the post-train announcement.

There is a different Pyrometer Noise Filtered Rail alarm for each rail. That is, there is a Pyrometer Noise Filtered North Rail alarm and a Pyrometer Noise Filtered South Rail alarm (or, depending on track direction, a Pyrometer Noise Filtered East Rail alarm and a Pyrometer Noise Filtered West Rail alarm).

A.11 Pyrometer Noise Filtered Wheel Alarm

The Pyrometer Noise Filtered Wheel alarm indicates that a pyrometer in a wheel scanner might be becoming unreliable. This alarm isn't considered an Integrity Failure and therefore won't result in "Not Working" being part of the post-train announcement.

There is a different Pyrometer Noise Filtered Wheel alarm for each rail. That is, there is a Pyrometer Noise Filtered North Wheel alarm and a Pyrometer Noise Filtered South Wheel alarm (or, depending on track direction, a Pyrometer Noise Filtered East Wheel alarm and a Pyrometer Noise Filtered West Wheel alarm).

A.12 Reverse Direction Detected

Trains that are being scanned correctly will have axles whose on-times are less than their off-times. For each axle of a passing train (except for the first axle), the system checks for an on-time that is greater than the off-time. If the axle's on-time is greater than its off-time, the system reverses the direction locked-in by the first gating pulse, reverses the opening and closing gate assignment for TO1 and TO2, and generates a false transducer pulse. The system considers the gate active for the next axle at the time it determines the current axle's opening gate pulse was missed.

The Reverse Direction Detected alarm indicates that the system entered a state where it is scanning for bearing temperatures when the axles are outside the scanning gate. In this state, the transducer that should be opening the scanning gate is considered by the system to be the transducer that is closing the gate. Likewise, the transducer that should be closing the scanning gate is considered the transducer that is opening the gate.

A.13 Short Train Alarm

The Short Train alarm indicates that a train had fewer than 50 axles.

A.14 Stuck Dragger Recovered Alarm

The Stuck Dragger Recovered alarm indicates that a stuck dragger was detected during train passage, and at some point later, the dragging-equipment detector returned to its neutral position. After returning to its neutral position, the firmware must scan at least eight consecutive Dragger free axles before flagging this condition again.

A.15 Test Train Alarm

The Test Train alarm indicates that a given train was generated by the SmartScanNG² system. These trains are used for testing purposes and do not represent actual trains passing the site.

A.16 Very Slow Train Alarm

The Very Slow Train alarm indicates that at some point during train passage, four consecutive axles crossed the gating transducers at a speed of 7 mph (11.3 kph) or less. When this alarm occurs, the system won't announce axle count, exit speed, length of train, and total number of cars (even if these messages are enabled).

Appendix B

Integrity Failures

This appendix describes the conditions and events that the SmartScanNG² system flags as Integrity Failures. These alarms indicate conditions in which the integrity of the system, and its ability to record train data accurately, may be compromised. These alarms are listed under the System Alarms section of the Train Detail and Exception Detail reports. **Section 6.0 - Producing Reports** tells how to produce these reports.

B.1 Dead Battery Alarm

The Dead Battery alarm indicates a float voltage of less than 11.8 volts on the standby battery.

B.2 Dead Resistor Alarm

The bearing scanner's Dead Resistor alarm indicates the presence of two separate conditions. First, the train must contain a Cold Rail alarm on a given rail. Second, the presence of a Cold Resistor alarm on the given rail. For a given rail, Cold Rail plus Cold Resistor equals Dead Resistor.

There is a different Dead Resistor alarm for each rail. That is, there is a Dead North Resistor alarm and a Dead South Resistor alarm (or, depending on track direction, a Dead East Resistor alarm, and a Dead West Resistor alarm).

B.3 Dead Wheel Scanner Resistor Alarm

The wheel scanner's Dead Wheel Scanner Resistor alarm indicates the presence of two separate conditions. First, the train must contain a Cold Wheel Scanner alarm on a given rail. Second, the recorded temperature for the wheel scanner's resistor on that rail must fall below the value set by the Cold Rail Temperature option on the Alarm Settings menu. **Section 4.0 - Serial Interface** tells how to view or change the Cold Rail Temperature option.

Alarm Settings	

[A] - Absolute	150
[B] - Differential	255
[C] - Hot Wheel (N/E Bound)	500
[D] - Hot Wheel (S/W Bound)	500
[E] - Cold Rails	3
[F] - Cold Rail Temp	10
[G] - Cold Res Counter	3
[H] - Differential Enabled	No
[I] - Advanced	
[X] - Exit	

There is a different Dead Wheel Scanner Resistor alarm for each rail. That is, there is a Dead North Wheel Scanner Resistor alarm and a Dead South Wheel Scanner Resistor alarm (or, depending on track direction, a Dead East Wheel Scanner Resistor alarm and a Dead West Wheel Scanner Resistor alarm).

B.4 Highrange Transducer Miscounts Alarm

The Highrange Transducer Miscounts alarm indicates that the transducer counts for TO1 and TO2 are off by seven or more. This calculation is made after each axle crosses both gating transducers. When this alarm occurs, the system won't announce axle count, exit speed, length of train, or total number of cars (even if these messages are enabled).

The Highrange Transducer Miscounts alarm can be either a System Alarm or an Integrity Failure, depending on the presence of a Very Slow Train alarm. If a highrange transducer miscount occurs on a train that also contains a Very Slow Train alarm, the firmware treats the miscount condition as a System Alarm. This logic assumes that the train's slow rate of travel likely caused the transducer miscount condition. If a highrange transducer miscount occurs on a train traveling faster than 7 mph (11.3 kph), the firmware treats the miscount condition as an Integrity Failure.

B.5 Stuck Dragger During Train Passage Alarm

The Stuck Dragger During Train Passage alarm indicates that the preset maximum number of consecutive axles have had Dragging-Equipment alarms during train passage. The maximum number is determined by the firmware and is currently five.

B.6 Stuck Dragger Pretrain Alarm

The Stuck Dragger Pretrain alarm indicates that the dragging-equipment detector was stuck before the scanners started scanning. That is, between the time of first receiving a pulse from the track circuit (or the advance transducers) and the time of first receiving a pulse from either gating transducer, the SmartScanNG² system detected an open circuit from the dragging-equipment detector.

B.7 Stuck High-Load Detector Pretrain Alarm

The Stuck High-Load Detector Pretrain alarm indicates that, before the scanners started scanning, the high-load detector was stuck. That is, between the time of first receiving a pulse from the track circuit (or the advance transducers) and the time of first receiving a pulse from either gating transducer, the SmartScanNG² system detected an open circuit from the high-load detector.

B.8 Stuck Wide-Load Detector Pretrain Alarm

The Stuck Wide-Load Detector Pretrain alarm indicates that, before the scanners started scanning, the wide-load detector was stuck. That is, between the time of first receiving a pulse from the track circuit (or the advance transducers) and the time of first receiving a pulse from either gating transducer, the SmartScanNG² system detected an open circuit from the wide-load detector.

There is a different Stuck Wide-Load Detector Pretrain alarm for each rail. That is, there is a Stuck Wide-Load Detector Pretrain North Side alarm and a Stuck Wide-Load Detector Pretrain South Side alarm (or, depending on track direction, a Stuck Wide-Load Detector Pretrain East Side alarm and a Stuck Wide-Load Detector Pretrain West Side alarm).

B.9 Successive Cold Rails Exceeded Alarm

The Successive Cold Rails Exceeded alarm indicates that at least a preset maximum number of consecutive trains, all having Cold Rail alarms on the same railside, have passed a site. The maximum number (per railside) of consecutive trains having Cold Rail alarms allowed before generating this alarm is set by the Cold Rails option on the Alarm Settings menu.

Section 4.0 - Serial Interface tells how to view or change the Cold Rails option.

```
      :  
      :  
      :  
[E] - Cold Rails ..... 3  
[F] - Cold Rail Temp ..... 10  
[G] - Cold Res Counter ..... 3  
[H] - Differential Enabled ..... No  
[I] - Advanced  
[X] - Exit
```

Under normal circumstances, Cold Rail conditions represent System Alarms, not Integrity Failures. However, if the number of consecutive trains bearing the same Cold Rail alarm equals or exceeds the cold-rail-alarm limit, this condition becomes an Integrity Failure. If the number of consecutive trains bearing identical Cold Rail alarms equals or exceeds the cold-rail-alarm limit, the System Alarms section of the Train Detail and Exception Detail reports displays the message "Successive Cold Rails Exceeded."

B.10 Successive Cold Resistors Exceeded Alarm

The Successive Cold Resistors Exceeded alarm indicates that at least a preset maximum number of consecutive trains, all having Cold Resistor alarms on the same railside, have passed a site. The maximum number (per railside) of consecutive trains having Cold Resistor alarms allowed before generating an Integrity Failure alarm is set by the Cold Rails option on the Alarm Settings menu. **Section 4.0 - Serial Interface** tells how to view or change the Cold Rails option.

```
      .  
      .  
      .  
[E] - Cold Rails ..... 3  
[F] - Cold Rail Temp ..... 10  
[G] - Cold Res Counter ..... 3  
[H] - Differential Enabled ..... No  
[I] - Advanced  
[X] - Exit
```

Under normal circumstances, Cold Resistor conditions represent System Alarms, not Integrity Failures. However, if the number of consecutive trains bearing the same Cold Resistor alarm equals or exceeds the cold-rail-alarm limit, this condition becomes an Integrity Failure. If the number of consecutive trains bearing identical Cold Resistor alarms equals or exceeds the cold-rail-alarm limit, the System Alarms section of the Train Detail and Exception Detail reports displays the message "Successive Cold Resistors Exceeded."

B.11 Successive Cold Wheels Exceeded Alarm

The Successive Cold Wheels Exceeded alarm indicates that at least a preset maximum number of consecutive trains, all having Cold Wheel Scanner alarms on the same railside, have passed a site. The user determines the number of consecutive trains used in the comparison through the Cold Rails setup parameter. **Section 4.0 - Serial Interface** tells how to view or change the Cold Rails option.

```
      .  
      .  
      .  
[E] - Cold Rails ..... 3  
[F] - Cold Rail Temp ..... 10  
[G] - Cold Res Counter ..... 3  
[H] - Differential Enabled ..... No  
[I] - Advanced  
[X] - Exit
```

Under normal circumstances, Cold Wheel conditions represent System Alarms, not Integrity Failures. However, if the number of consecutive trains bearing the same Cold Wheel Scanner alarm equals or exceeds the cold-rail-alarm limit, this condition becomes an Integrity Failure. If the number of consecutive trains bearing identical Cold Wheel Scanner alarms equals or exceeds the cold-rail-alarm limit, the System Alarms section of the Train Detail and Exception Detail reports displays the message "Successive Cold Wheels Exceeded."

B.12 Successive Cold Wheel Resistors Exceeded Alarm

The Successive Cold Wheel Resistors Exceeded alarm occurs when a specified number of consecutive trains, each containing a Cold Wheel Scanner Resistor alarm on the same raiIside, pass the site. The user determines the number of consecutive trains used in the comparison through the Cold Rails setup parameter. **Section 4.0 - Serial Interface** tells how to view or change the Cold Rails option.

```
      .  
      .  
      .  
[E] - Cold Rails ..... 3  
[F] - Cold Rail Temp ..... 10  
[G] - Cold Res Counter ..... 3  
[H] - Differential Enabled ..... No  
[I] - Advanced  
[X] - Exit
```

Under normal circumstances, Cold Wheel Resistor conditions represent System Alarms, not Integrity Failures. However, if the number of consecutive trains bearing the same Cold Wheel Scanner Resistor alarm equals or exceeds the cold-rail-alarm limit, this condition becomes an Integrity Failure. If the number of consecutive trains bearing identical Cold Wheel Scanner Resistor alarms equals or exceeds the cold-rail-alarm limit, the System Alarms section of the Train Detail and Exception Detail reports displays the message "Successive Cold Wheel Resistors Exceeded."

B.13 Train Present on Restart Alarm

The Train Present on Restart alarm indicates that a train was present at the site when the system was powering up.

Appendix C

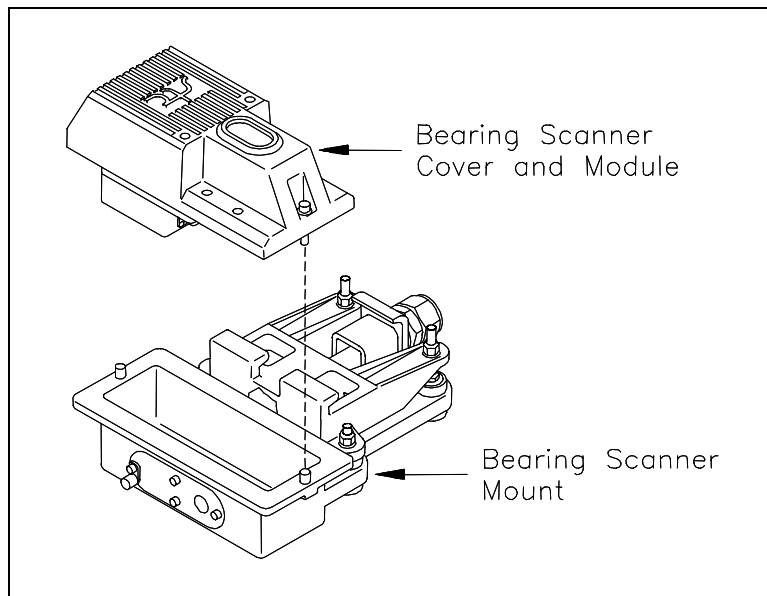
Replacement of Type II Scanners

There are Type II bearing scanners and Type II wheel scanners. Both contain two major parts. The top part is the cover-and-module assembly. The module and its protective cover are tightly integrated and rarely should be taken apart. Except for the addition of a plastic attenuation plug on the wheel scanner cover, both types of cover-and-module assemblies are identical and can be used interchangeably. The bottom part is the mount. Bearing scanner mounts and wheel scanner mounts are different in design. They can't be interchanged.

This appendix tells how to replace the scanner cover-and-module assemblies. The replacement of scanner mounts isn't covered in this guide.

C.1 Bearing Scanners

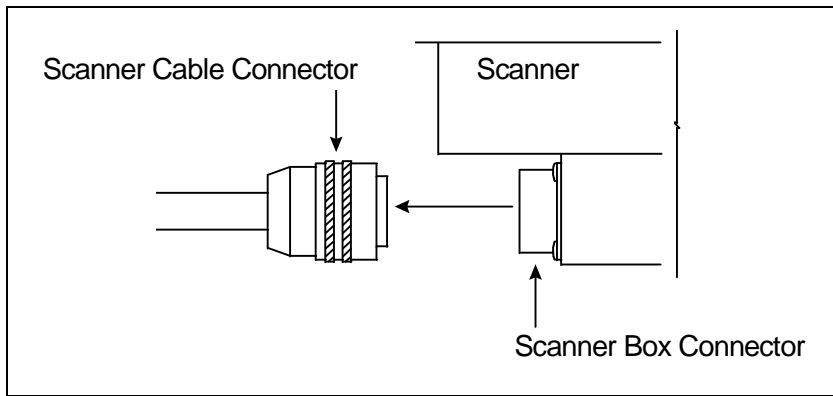
The figure below shows the major parts of a Type II bearing scanner.



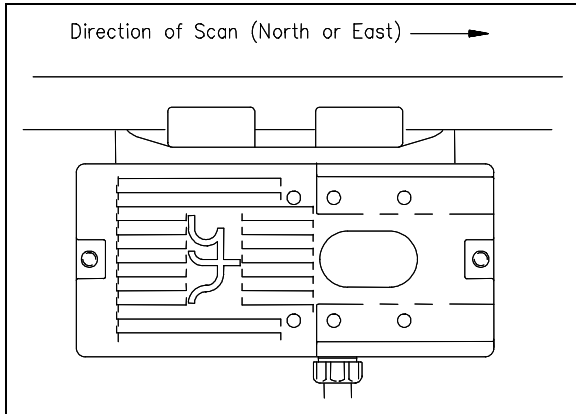
To replace a Type II bearing scanner cover-and-module assembly:

- 1 Be sure that you have on hand a new scanner cover-and-module assembly.
- 2 Be sure that you have on hand a T-handle 1/4-inch hex-wrench.

- 3 Turn off all power to the SmartScanNG² enclosure.
- 4 Using a T-handle 1/4-inch hex-wrench, loosen both socket-head-cap screws on the cover of the bearing scanner.
- 5 Separate the scanner cover-and-module assembly from its mount.
- 6 Disconnect the scanner cable connector from the scanner box connector.



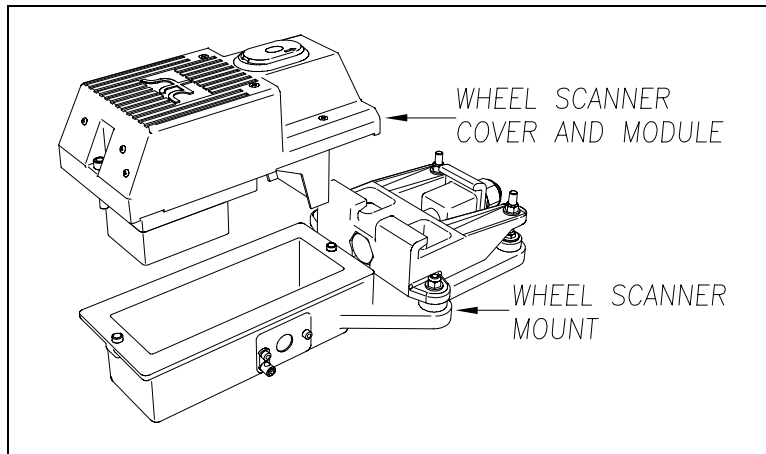
- 7 Store the removed scanner cover-and-module assembly in a safe place until you return it to STC for repair.
- 8 Attach the scanner cable connector to the scanner box connector (on the new scanner cover-and-module assembly).
- 9 With the hole (on top of the scanner cover) facing north or east, replace the scanner cover-and-module assembly onto its mount.



- 10 Using a T-handle 1/4-inch hex-wrench, tighten the two screws (on the scanner cover) until they are completely tight.
- 11 Turn on power to the SmartScanNG² enclosure.

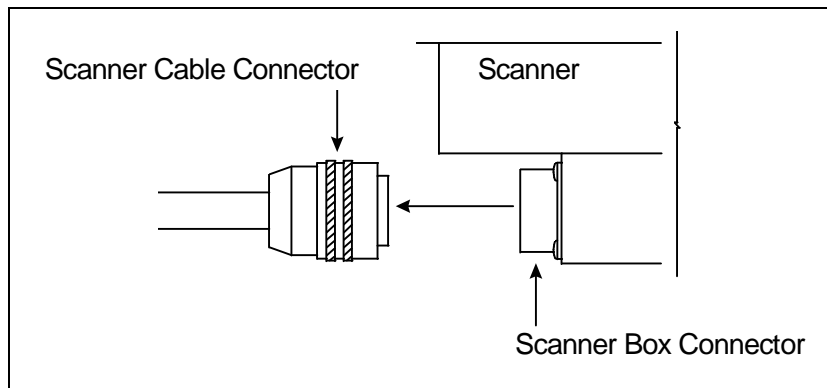
C.2 Wheel Scanners

The figure below shows the major parts of a Type II wheel scanner.



To replace a Type II wheel scanner cover-and-module assembly:

- 1 Be sure that you have on hand a new scanner cover-and-module assembly.
- 2 Be sure that you have on hand a T-handle 1/4-inch hex-wrench.
- 3 Turn off all power to the SmartScanNG² enclosure.
- 4 Using a T-handle 1/4-inch hex-wrench, loosen the two socket-head-cap screws on the cover of the bearing scanner.
- 5 Separate the scanner cover-and-module assembly from its mount.
- 6 Disconnect the scanner cable connector from the scanner box connector.



- 7 Store the removed scanner cover-and-module assembly in a safe place until you return it to STC for repair.
- 8 Attach the scanner cable connector to the scanner box connector (on the new scanner cover-and-module assembly).
- 9 With the hole (on top of the scanner cover) facing the center of the track, replace the scanner cover-and-module assembly onto its mount.

- 10 Using a T-handle 1/4-inch hex-wrench, tighten the two screws (on the scanner cover) until they are completely tight.
- 11 Turn on power to the SmartScanNG² enclosure.

Appendix D

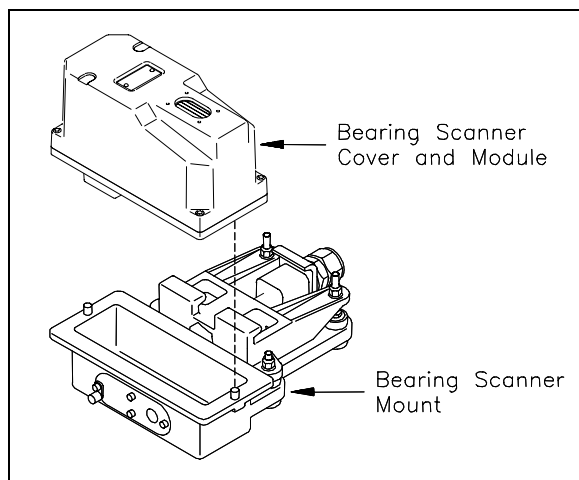
Replacement of Type III Scanners

There are bearing scanners and wheel scanners. Both contain two major parts. The top part is the cover-and-module assembly. The module and its protective cover are tightly integrated and rarely should be taken apart. Except for the change of **filter frames** in the wheel scanner module, both types of cover-and-module assemblies are identical and can be used interchangeably. The bottom part is the mount. Bearing scanner mounts and wheel scanner mounts are different in design. They can't be interchanged.

This appendix tells how to replace the scanner cover-and-module assemblies. The replacement of scanner mounts isn't covered in this guide.

D.1 Bearing Scanners

The figure below shows the major parts of a bearing scanner.



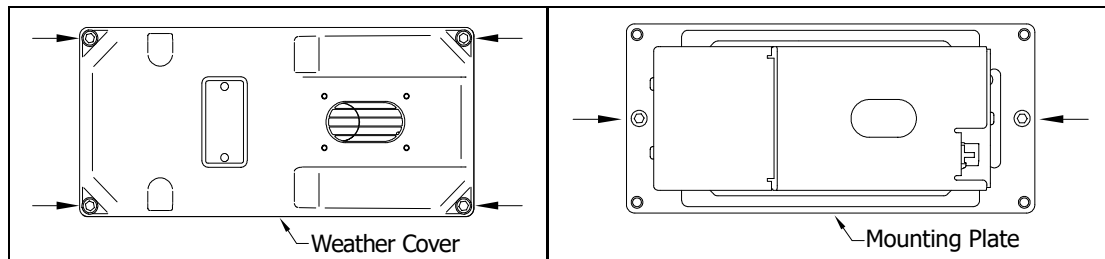
To replace a bearing scanner cover-and-module assembly:

- 1 Be sure that you have on hand a new scanner cover-and-module assembly.
- 2 Be sure that you have on hand a T-handle 1/4-inch hex-wrench.
- 3 Turn off all power to the scanners.

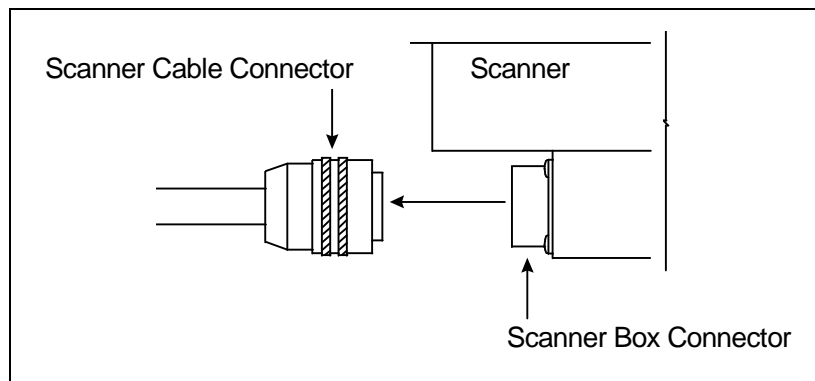
This requires turning off the DC power switch on the SmartScanNG² enclosure and unplugging the AC power cord on the bottom of the SmartScanNG² enclosure.

- Using a T-handle 1/4-inch hex wrench, loosen the six socket-head-cap screws on the cover of the bearing scanner.

Four screws attach the weather cover to the mounting plate, and two screws attach the mounting plate to the mount.

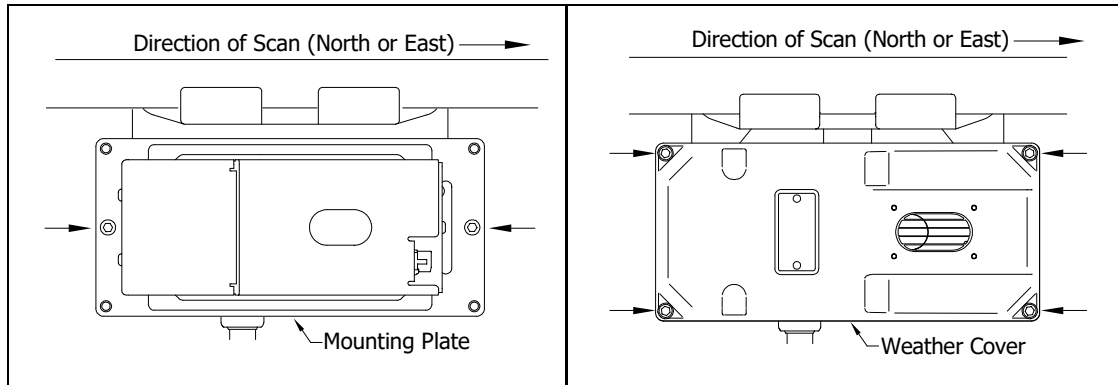


- Separate the bearing scanner cover-and-module assembly from its mount.
- Disconnect the heater wiring plug.
- Disconnect the scanner cable connector from the scanner box connector.



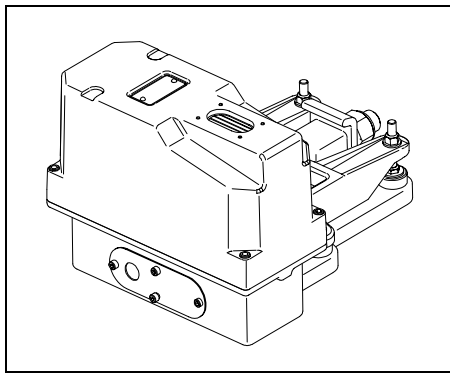
- Store the removed scanner cover-and-module assembly in a safe place until you return it to STC for repair.
- Attach the scanner cable connector to the scanner box connector of the new scanner cover-and-module assembly.
- With the hole on top of the bearing scanner cover facing north or east, set the mounting plate back onto its scanner mount.
- Using the T-handle 1/4-inch hex-wrench, uniformly tighten the two socket-head-cap screws.
- Reconnect the heater wiring plug.
- With the hole on top of the bearing scanner cover facing north or east, set the weather cover back onto its mounting plate.
- Using the T-handle 1/4-inch hex-wrench, uniformly tighten the four socket-head-cap screws.

The top view of the bearing scanner mounting plate and weather cover is shown below.



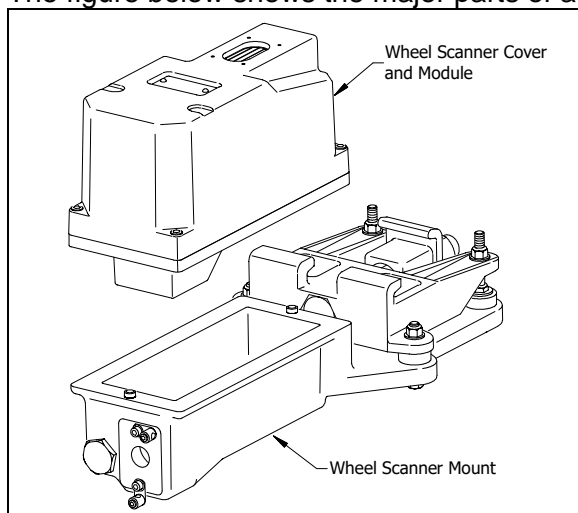
15 Turn on power to the scanners.

An assembled bearing scanner looks like this.



D.2 Wheel Scanners

The figure below shows the major parts of a wheel scanner.



To replace a wheel scanner cover-and-module assembly:

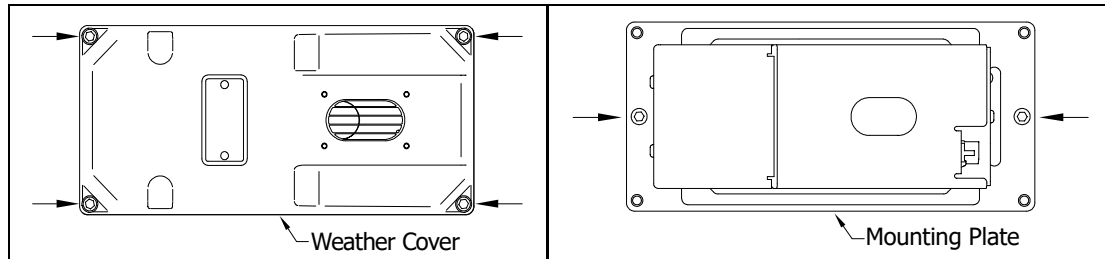
- 1 Be sure that you have on hand a new scanner cover-and-module assembly.
- 2 Be sure that you have on hand a T-handle 1/4-inch hex-wrench.

- 3 **Turn off** all power to the scanners.

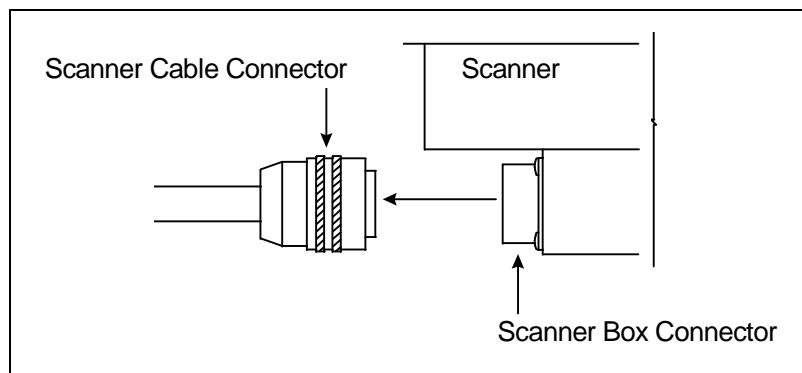
This requires **turning off** the DC power switch on the SmartScanNG² enclosure **and unplugging** the AC power cord on the bottom of the SmartScanNG² enclosure.

- 4 Using a T-handle 1/4-inch hex wrench, loosen the six socket-head-cap screws on the cover of the wheel scanner.

Four screws attach the weather cover to the mounting plate, and **two** screws attach the mounting plate to the mount.



- 5 Separate the wheel scanner cover-and-module assembly from its mount.
- 6 Disconnect the heater wiring plug.
- 7 Disconnect the scanner cable connector from the scanner box connector.



- 8 Store the removed scanner cover-and-module assembly in a safe place until you return it to STC for repair.
- 9 Attach the scanner cable connector to the scanner box connector of the **new** scanner cover-and-module assembly.
- 10 With the hole on top of the wheel scanner cover facing the center of the track, set the **mounting plate** back onto its scanner mount.
- 11 Using the T-handle 1/4-inch hex-wrench, uniformly tighten the **two** socket-head-cap screws.
- 12 Reconnect the heater wiring plug.
- 13 With the hole on top of the wheel scanner cover facing the center of the track, set the **weather cover** back onto its mounting plate.
- 14 Using the T-handle 1/4-inch hex-wrench, uniformly tighten the **four** socket-head-cap screws.
- 15 **Turn on** power to the scanners.

Appendix E

Calibration of Type II Scanners

The SmartScanNG² system self-calibrates its pyrometer interface circuitry. You need only put a preheated calibrated heat source on a scanner and place the system in autocalibration mode. The system then scans all pyrometer inputs until the signal from the calibrated heat source is located. The necessary adjustments to the related interface circuitry are automatically made while the system monitors its own progress by analyzing changes in the heat signals. Once the procedure has been completed, autocalibration mode is disengaged, and the calibration results are displayed on your computer.

This appendix tells how to use the calibrated heat source to calibrate the scanners.

E.1 Bearing Scanners

STC recommends that you use the calibrated heat source (2100-810NG) only when the outside (ambient) temperature is above 0°F (-18°C) and below 90°F (32°C). If you must use it at other times, do so only when the needle is centered on the front of the temperature meter. If the needle isn't stabilized within ± 2 degrees of the setpoint, the heat source isn't operating properly.

To calibrate a Type II/Type III bearing scanner:

- 1 Be sure that you have on hand an STC-calibrated heat source (2100-810NG) and a laptop computer.
- 2 On the control panel of the calibrated heat source, toggle the **Gating** switch off.
- 3 Plug the proper end of the supplied 50-foot (15.2-meter) power cord into the **six-contact** circular connector on the front of the calibrated heat source.
- 4 Plug the other end of the power cord into a grounded three-wire 110-120 VAC outlet in the wayside enclosure.

The function connector that is not being used has live AC present.

- 5 Cover the function connector that is not being used with the supplied dust cover.
- 6 On the control panel, turn the temperature knob to **180**.
- 7 Put the heat source in a shady area, out of direct sunlight.
- 8 Wait about 8 minutes for the heat source to reach operating temperature and stabilize.

The heat source has reached operating temperature and stabilized when the temperature meter needle remains centered.

Once the temperature stabilizes, calibration may begin. Once stabilized, the temperature will change less than plus-or-minus one degree Fahrenheit.

- 9 With the power cord to the front of the scanner, place the calibrated heat source on the scanner.
- 10 Be sure that a computer is plugged into COM1 (on the side of the Controller module), that it is turned on, that it has appropriate communications software installed, that the communications software is set to use full-duplex, that the baud rate is set to 115,200, and that a LOG file is opened.
- 11 Using the serial interface, display the Main menu.

Section 4.0 - Serial Interface tells how to display the Main menu. The Main menu looks like this.

```

Main Menu - Comm
-----
                .
                .
                .
[J] - Event log
[K] - System Functions Menu
[L] - Replay train
[M] - Security Menu
[X] - Exit

```

- 12 Select the System Functions menu.

The System Functions menu appears. The Auto-Calibration option is used to calibrate the system's pyrometer interface circuitry.

```

                .
                .
                .
[F] - Auto-Calibration
[G] - Reboot System
[H] - Delete All Stored Train Data
[I] - Clear Event Log
[J] - Update Menu
[K] - Maintenance Menu
[L] - Volume Up (3)
[M] - Volume Down (3)
[N] - Resistor Baseline Data
[O] - Radio Programming Menu
[P] - Scanner Test
[Q] - Calibrate Frauscher Transducers
[R] - Virtual Gate Test
[X] - Exit

```

- 13 Select Auto-Calibration to initiate the process.

The SmartScanNG² system will now calibrate itself. Follow along on your interface screen until you see "Auto-Calibration Disengaged." This message is an indication that the system is done with the calibration procedure. To abort the process, press **[Esc]** (on your computer) or remove the heat source (from the scanner).

- 14 When "Auto-Calibration Disengaged" is displayed on your computer, remove the calibrated heat source.
- 15 To return to the Main menu, type **X**.

- 16 To exit the serial interface and return the system to normal operation, type **X**.
- 17 Store the calibrated heat source and its cable in the wayside enclosure.

NOTE:

Upon completion of autocalibration, the system acquires the scanner resistor temperature baseline values. The process begins with a 20-minute wait period in which the resistors are allowed to cool down. The system counts down during this period, sounding a tone each minute. After the 20-minute cooldown period, the system opens and closes the shutters for a period of 8 minutes.

Covering the apertures of all four scanners during the baseline acquisition routine should result in a more accurate baseline measurement because the reference for the scanner is stable when covered. See **Appendix J** for a detailed explanation and instructions.

E.2 Wheel Scanners

STC recommends that you use the calibrated heat source (2100-810NG) only when the outside (ambient) temperature is above 0°F (-18°C) and below 90°F (32°C). If you must use it at other times, do so only when the needle is centered on the front of the temperature meter. If the needle isn't stabilized within ± 2 degrees of setpoint, the heat source isn't operating properly.

To calibrate the Type II wheel scanners:

- 1 Be sure that you have on hand an STC-calibrated heat source (2100-810NG) and a laptop computer.
- 2 On the control panel of the calibrated heat source, toggle the **Gating** switch off.
- 3 Plug the proper end of the supplied 50-foot (15.2-meter) power cord into the **six-contact** circular connector on the front of the calibrated heat source.
- 4 Plug the other end of the power cord into a grounded three-wire 110-120 VAC outlet in the wayside enclosure.

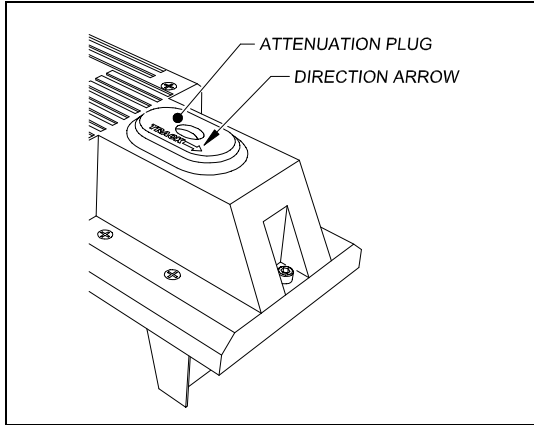
The function connector that is not being used has live AC present.

- 5 Cover the function connector that is not being used with the supplied dust cover.
- 6 On the control panel, turn the temperature knob to **180**.
- 7 Put the heat source in a shady area, out of direct sunlight.
- 8 Wait about 8 minutes for the heat source to reach operating temperature and stabilize.

The heat source has reached operating temperature and stabilized when the temperature meter needle remains centered.

Once the temperature stabilizes, calibration may begin. Once stabilized, the temperature will change less than plus-or-minus one degree Fahrenheit.

9 Remove the attenuation plug from the wheel scanner.



- 10 With the power cord to the front of the scanner, place the calibrated heat source on the scanner.
- 11 Be sure that a computer is plugged into COM1 (on the side of the Controller module), that it is turned on, that it has appropriate communications software installed, that the communications software is set to use full-duplex, that the baud rate is set to 115,200, and that a LOG file is opened.
- 12 Using the serial interface, display the Main menu.

Section 4.0 - Serial Interface tells how to display the Main menu. The Main menu looks like this.

```
Main Menu - Comm
-----
      .
      .
[J] - Event log
[K] - System Functions Menu
[L] - Replay train
[M] - Security Menu
[X] - Exit
```

13 Select the System Functions menu.

The System Functions menu appears. The Auto-Calibration option is used to calibrate the system's pyrometer interface circuitry.

```
      .  
      .  
      .  
[F] - Auto-Calibration  
[G] - Reboot System  
[H] - Delete All Stored Train Data  
[I] - Clear Event Log  
[J] - Update Menu  
[K] - Maintenance Menu  
[L] - Volume Up (3)  
[M] - Volume Down (3)  
[N] - Resistor Baseline Data  
[O] - Radio Programming Menu  
[P] - Scanner Test  
[Q] - Calibrate Frauscher Transducers  
[R] - Virtual Gate Test  
[X] - Exit
```

14 Select Auto-Calibration to initiate the process.

The SmartScanNG² system will now calibrate itself. Follow along on your interface screen until you see "Auto-Calibration Disengaged." This message is an indication that the system is done with the calibration procedure. To abort the process, press **[Esc]** (on your computer) or remove the heat source (from the scanner).

15 When "Auto-Calibration Disengaged" is displayed on your computer, remove the calibrated heat source.

16 To return to the Main menu, type **X**.

17 To exit the serial interface and return the system to normal operation, type **X**.

18 Replace the attenuation plug.

The attenuation plug has a direction arrow molded into the top of the plug. This arrow should be pointing toward the rail.

19 Store the calibrated heat source and its cable in the wayside enclosure.

NOTE:

Upon completion of autocalibration, the system acquires the scanner resistor temperature baseline values. The process begins with a 20 minute wait period in which the resistors are allowed to cool down. The system counts down during this period, sounding a tone each minute. After the 20-minute cooldown period, the system opens and closes the shutters for a period of 8 minutes.

Covering the apertures of all four scanners during the baseline acquisition routine should result in a more accurate baseline measurement because the reference for the scanner is stable when covered. See **Appendix J** for a detailed explanation and instructions.

Appendix F

Calibration of Type III Scanners

The SmartScanNG² system self-calibrates its pyrometer interface circuitry. You need only put a preheated calibrated heat source on a scanner and place the system in autocalibration mode. The system then scans all pyrometer inputs until the signal from the calibrated heat source is located. The necessary adjustments to the related interface circuitry are automatically made while the system monitors its own progress by analyzing changes in the heat signals. Once the procedure has been completed, autocalibration mode is disengaged, and the calibration results are displayed on your computer.

This appendix tells how to use the calibrated heat source to calibrate the scanners.

F.1 Bearing Scanners

STC recommends that you use the calibrated heat source (2100-810NG) only when the outside (ambient) temperature is above -18°C (0°F) and below 32°C (90°F). If you must use it at other times, do so only when the needle is centered on the front of the temperature meter. If the needle isn't stabilized within ± 2 degrees of setpoint, the heat source isn't operating properly.

To calibrate a bearing scanner:

- 1 Be sure that you have on hand an STC-calibrated heat source (2100-810NG) and a laptop computer.
- 2 On the control panel of the calibrated heat source, toggle the **Gating** switch off.
- 3 Plug the proper end of the supplied 50-foot (15-meter) power cord into the **six-contact** circular connector on the front of the calibrated heat source.

Sixty Hz is critical for proper operation. For a site that doesn't have a 120-volt 60-Hz power source, the heat source should be powered from a true sine wave inverter capable of 250 watts with an output of at least 110 volts at 60 Hz. The inverter should operate from an input voltage of 10.5 VDC to 15 VDC. A 120-volt USA socket should be provided to match the heat source power cord. The inverter should be grounded according to the manufacturer's recommendations.

WARNING

Once plugged in, both function connectors will have live AC present.

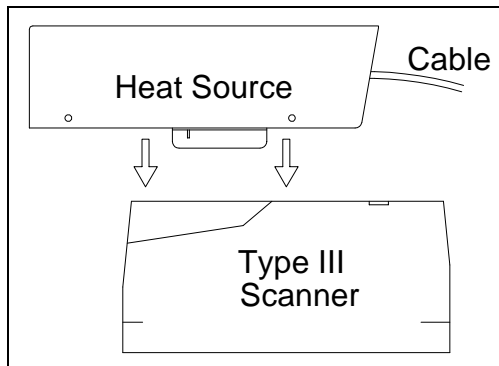
- 4 Using the supplied dust cap, cover the function connector that isn't being used.
- 5 Plug the other end of the power cord into the 120-volt USA socket.
- 6 On the control panel of the calibrated heat source, turn the temperature knob to **180°**.

- 7 Put the heat source in a shady area, out of direct sunlight and out of the wind.
- 8 Wait about 8 minutes for the heat source to reach operating temperature and stabilize.

The heat source has reached operating temperature and stabilized when the temperature meter needle remains centered.

Once the temperature stabilizes, calibration may begin. Once stabilized, the temperature will change less than plus-or-minus one degree Fahrenheit.

- 9 With the power cord to the front of the scanner, place the calibrated heat source on the bearing scanner.



- 10 To prepare your computer:
 - a Plug your computer into COM1 using a crossover (null-modem) cable.
 - b Turn on your computer.
 - c Be sure that your computer has installed communications software, that it is set to use full-duplex, and that the baud rate is set to 115,200.
- 11 Using the serial interface, display the Main menu.

The Main menu looks like this.

```
Main Menu - Comm
-----
          .
          .
          .
[J] - Event log
[K] - System Functions Menu
[L] - Replay train
[M] - Security Menu
[X] - Exit
```


12 Select **Auto-calibration** to calibrate the system's pyrometer interface circuitry.

The SmartScanNG² system will now calibrate itself. **Follow along on your computer screen until you see "Auto-Calibration Disengaged."** This message is an indication that the system is done with the calibration procedure. To abort the process, press **[Esc]** on your computer or remove the heat source from the bearing scanner.

```
      .  
      .  
      .  
[F] - Auto-Calibration  
[G] - Reboot System  
[H] - Delete All Stored Train Data  
[I] - Clear Event Log  
[J] - Update Menu  
[K] - Maintenance Menu  
[L] - Volume Up (3)  
[M] - Volume Down (3)  
[N] - Resistor Baseline Data  
[O] - Radio Programming Menu  
[P] - Scanner Test  
[Q] - Calibrate Frauscher Transducers  
[R] - Virtual Gate Test  
[X] - Exit
```

On your computer screen, an acceptable calibration looks like this. Your values will be different.

```
Auto Calibration Selected
Scanner Types
-----
Rail-1..... Type-II   Rail-2..... Type-III
Wheel-1..... Type-III  Wheel-2..... Type-II

Is this correct ?

Signal levels in millivolts with closed shutters
      Rail1           Rail2           Wheel1           Wheel2
Min/Max/Average  Min/Max/Average  Min/Max/Average  Min/Max/Average
0  80  20    0  60  20    0  60  20    20  80  40

Opening the shutters.
Scanning for heat source. Press the 'Esc' key to abort.
Located 187F heat source at Rail1. Auto-calibration beginning in 0 secs.

.....Auto-Calibration Engaged.....

Testing Digital-Pot U-306. Stand by.
Digital-pot checks OK.
Previous calibrated digital-pot. setting was 38.
Adjusting digital-pot.
Temp = 225F  Pot = 59  Sec = 1  Pot. decremented by 1 step.
Temp = 224F  Pot = 58  Sec = 1  Pot. decremented by 1 step.
Temp = 221F  Pot = 57  Sec = 2  Pot. decremented by 1 step.
Temp = 219F  Pot = 56  Sec = 3  Pot. decremented by 1 step.

      .
      .

Temp = 183F  Pot = 35  Sec = 15  Pot. decremented by 1 step.
Temp = 182F  Pot = 34  Sec = 18  Pot. decremented by 1 step.
Temp = 181F  Pot = 33  Sec = 29  Pot. decremented by 1 step.
Temp = 179F  Pot = 33  Sec = 93  Monitoring heat source temperature.
Rail1 digital-pot setting of 33 was stored in EEPROM.
East Rail Scanner Calibration complete.
The setpoint is 180F. The calibrated temp. is 179F.
Closing the shutters.
Resistor test pending.

.....Auto-Calibration Disengaged.....
```

Before the shutters are opened, if you get a signal level greater than 200 millivolts, it usually means that there is noise on the scanner inputs, which most times is caused by an electrical problem with the scanner. If you cannot isolate and fix the cause of this problem, call STC for help.

```

Auto Calibration Selected

Signal levels in millivolts with closed shutters
  Rail1           Rail2           Wheel1           Wheel2
Min/Max/Average  Min/Max/Average  Min/Max/Average  Min/Max/Average
210 250 210      0 60 20      0 60 20      20 80 40
      .
      .
      .

```

Before the shutters are closed, if you don't get a calibrated temperature in the range 178°F to 182°F, it means that the scanner wasn't calibrated. If cleaning the optics doesn't solve your problem, replace the scanner cover-and-module assembly. If this doesn't solve your problem, call STC for help in fixing the problem.

- 13 When "Auto-Calibration Disengaged" is displayed on your computer, remove the calibrated heat source.
- 14 To return to the Main menu, type **X**.
- 15 To exit the serial interface and return the system to normal operation, type **X**.
- 16 Store the calibrated heat source and its power cord in the wayside enclosure.

NOTE:

Upon completion of autocalibration, the system acquires the scanner resistor temperature baseline values. The process begins with a 20-minute wait period in which the resistors are allowed to cool down. The system counts down during this period, sounding a tone each minute. After the 20-minute cooldown period, the system opens and closes the shutters for a period of 8 minutes.

Covering the apertures of all four scanners during the baseline acquisition routine should result in a more accurate baseline measurement because the reference for the scanner is stable when covered. See **Appendix J** for a detailed explanation and instructions.

F.2 Wheel Scanners

STC recommends that you use the calibrated heat source (2100-810NG) only when the outside (ambient) temperature is above -18°C (0°F) and below 32°C (90°F). If you must use it at other times, do so only when the needle is centered on the front of the temperature meter. If the needle isn't stabilized within ± 2 degrees of setpoint, the heat source isn't operating properly.

To calibrate a wheel scanner:

- 1 Be sure that you have on hand an STC-calibrated heat source (2100-810NG) and a laptop computer.
- 2 On the control panel of the calibrated heat source, toggle the **Gating** switch off.
- 3 Plug the proper end of the supplied 50-foot (15-meter) power cord into the **six-contact** circular connector on the front of the calibrated heat source.

Sixty Hz is critical for proper operation. For a site that doesn't have a 120-volt 60-Hz power source, the heat source should be powered from a true sine wave inverter capable of 250 watts with an output of at least 110 volts at 60 Hz. The inverter should operate from an input voltage of 10.5 VDC to 15 VDC. A 120-volt USA socket should be provided to match the heat source power cord. The inverter should be grounded according to the manufacturer's recommendations.

WARNING

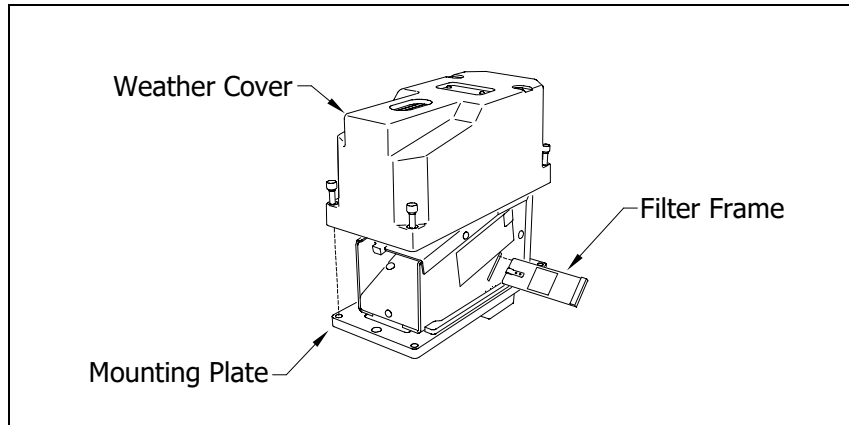
Once plugged in, both function connectors will have live AC present.

- 4 Using the supplied dust cap, cover the function connector that isn't being used.
- 5 Plug the other end of the power cord into the 120-volt USA socket.
- 6 On the control panel of the calibrated heat source, turn the temperature knob to **180°**.
- 7 Put the heat source in a shady area, out of direct sunlight and out of the wind.
- 8 Wait about 8 minutes for the heat source to reach operating temperature and stabilize.

The heat source has reached operating temperature and stabilized when the temperature meter needle remains centered.

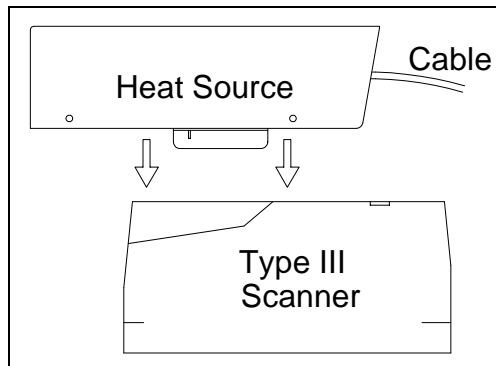
Once the temperature stabilizes, calibration may begin. Once stabilized, the temperature will change less than plus-or-minus one degree Fahrenheit.

- 9** Replace the red filter frame with the black one during calibration.



You'll need to remove the weather cover before you can replace the filter frame. Four socket head cap screws attach the weather cover to the mounting plate. Before continuing, be sure that the black filter frame is securely in place and that the four socket-head-cap screws on the weather cover are completely tight.

- 10** With the power cord to the front of the scanner, place the calibrated heat source on the wheel scanner.



- 11** To prepare your computer:

- a** Plug your computer into COM1 using a crossover (null-modem) cable.
- b** Turn on your computer.
- c** Be sure that your computer has installed communications software, that it is set to use full-duplex, and that the baud rate is set to 115,200.

12 Using the serial interface, display the Main menu.

The Main menu looks like this.

```
Main Menu - Comm
-----
          .
          .
          .
[J] - Event log
[K] - System Functions Menu
[L] - Replay train
[M] - Security Menu
[X] - Exit
```

13 Select the **Auto-Calibration** option to calibrate the system's pyrometer interface circuitry.

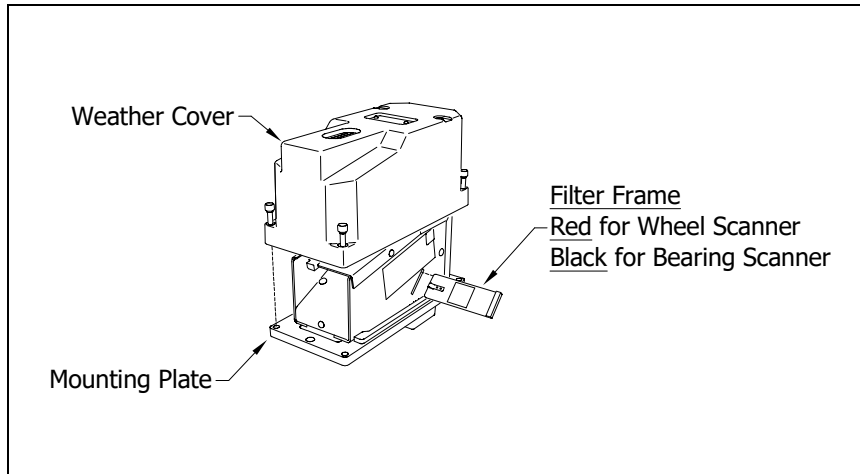
The SmartScanNG² system will now calibrate itself. **Follow along on your computer screen until you see "Auto-Calibration Disengaged."** This message is an indication that the system is done with the calibration procedure. To abort the process, press **[Esc]** on your computer or remove the heat source from the wheel scanner.

Before the shutters are opened, if you get a signal level greater than 200 millivolts, it usually means that there is noise on the scanner inputs, which most times is caused by an electrical problem with the scanner. If you cannot isolate and fix the cause of this problem, call STC for help.

```
          .
          .
          .
[F] - Auto-Calibration
[G] - Reboot System
[H] - Delete All Stored Train Data
[I] - Clear Event Log
[J] - Update Menu
[K] - Maintenance Menu
[L] - Volume Up (3)
[M] - Volume Down (3)
[N] - Resistor Baseline Data
[O] - Radio Programming Menu
[P] - Scanner Test
[Q] - Calibrate Frauscher Transducers
[R] - Virtual Gate Test
[X] - Exit
```

Before the shutters are closed, if you don't get a calibrated temperature in the range 178°F to 182°F, it means that the scanner wasn't calibrated. If cleaning the optics doesn't solve your problem, replace the scanner cover-and-module assembly. If this doesn't solve your problem, call STC for help in fixing the problem.

- 14 When "Auto-Calibration Disengaged" is displayed on your computer, remove the calibrated heat source.
- 15 To return to the Main menu, type **X**.
- 16 To exit the serial interface and return the system to normal operation, type **X**.
- 17 Replace the black filter frame with the red one immediately following the successful completion of the auto-calibration function.



**** Before continuing, be sure that the red filter frame is securely in place and that the four socket-head-cap screws on the weather cover are completely tight. ****

- 18 Store the calibrated heat source and its power cord in the wayside enclosure.

NOTE:

Upon completion of autocalibration, the system acquires the scanner resistor temperature baseline values. The process begins with a 20-minute wait period in which the resistors are allowed to cool down. The system counts down during this period, sounding a tone each minute. After the 20-minute cooldown period, the system opens and closes the shutters for a period of 8 minutes.

Covering the apertures of all four scanners during the baseline acquisition routine should result in a more accurate baseline measurement because the reference for the scanner is stable when covered. See **Appendix J** for a detailed explanation and instructions.

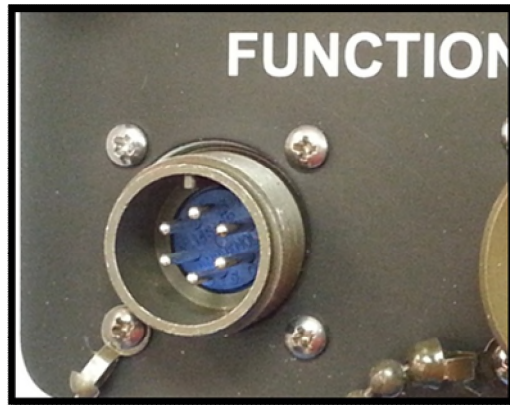
F.3 Heat Source: Power Cable Warning

Warning - Caution
PLEASE – ONLY USE THE POWER CORD THAT WAS SHIPPED WITH THIS HEAT SOURCE.
USE OF THE OLD CORD WITH PINS IN THE CONNECTOR WILL DAMAGE THIS HEAT SOURCE

A few years ago, the power cord connector was found to be a shock hazard because the connector had pins that might be easy to touch if someone were not paying attention. If the power cord were plugged into AC, that would be a startling experience! So the connectors on both the power cord and the heat source were changed. Because of that change, a new power cord was and is shipped with each new heat source.



Old-style plug with pins.



New heat source with pins.

As you can see, even though the connectors will fit together, they won't work together. When the connectors are screwed together, the two sets of pins touch and cause a reverse polarity situation which damages the heat source.

Appendix G

Lens Cleaning of Type III Scanners

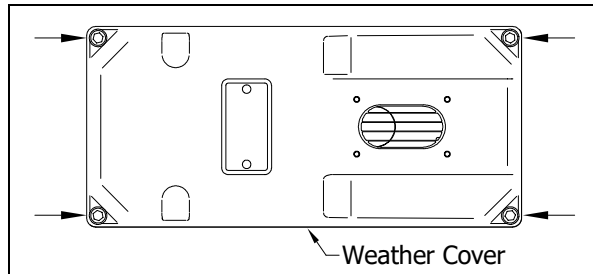
This appendix tells how to clean the optics in the scanners.

To clean the optics in the scanners:

- 1 Be sure that you have on hand a T-handle 1/4-inch hex-wrench.
- 2 Turn off all power to the scanners.

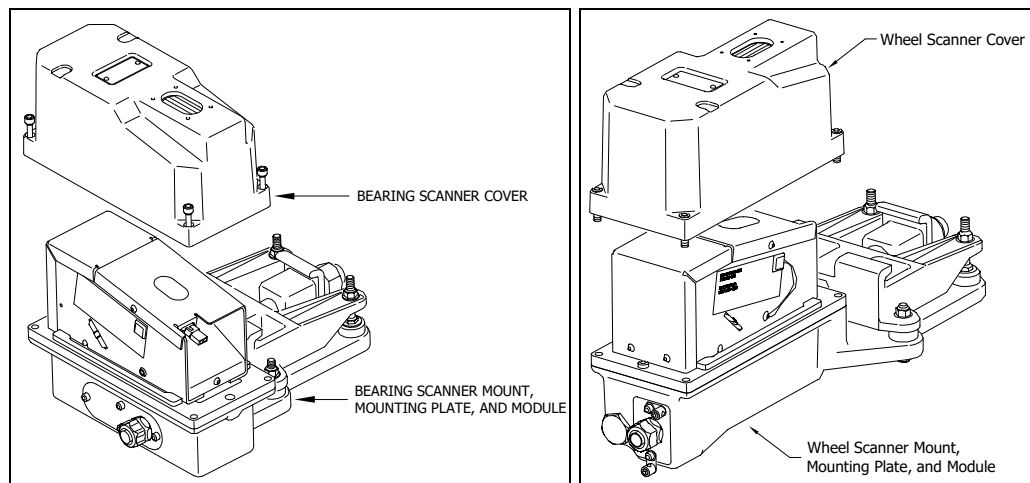
This requires turning off the DC power switch on the SmartScanNG² enclosure and unplugging the AC power cord on the bottom of the SmartScanNG² enclosure.

- 3 Using the T-handle 1/4-inch hex-wrench, loosen the four socket-head-cap screws that attach the weather cover to the mounting plate.



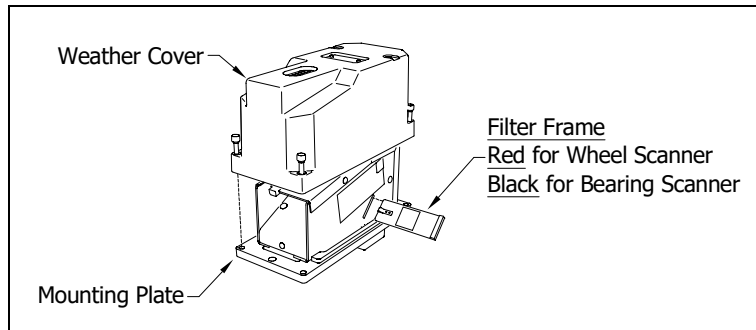
- 4 Remove the weather cover from its mounting plate.

Be careful not to damage the electrical connection for the cover heaters.



- 5 Disconnect the heater wiring plug.

On the side of the scanner module, you'll find a metal tab that protrudes about 1/4 inch outside the module.



- 6 Grasp the tab and pull the filter frame out of the scanner module.
- 7 Using the brush supplied with the tool kit, lightly dust any excess material from the filter frame glass.
Be careful not to abrade or scratch the surface of the lens.
- 8 Apply a small amount of Vallen V8L cleaning solution (included in the tool kit) directly to the glass filter to loosen any remaining contamination.
- 9 Gently polish the reflective glass surface of the filter to remove any remaining contamination.
Pay close attention to the area around the perimeter of the lens. It is important that the entire surface of the lens is clean.
- 10 Open the shutter by stroking one of the gating transducers with a piece of ferrous metal.
- 11 If the lens surface appears to have any dust on it, insert the brush from the tool kit through the baffle plates until it contacts the lens surface and apply a twisting motion to dislodge any accumulated dust.
- 12 Remove the brush and visually inspect the lens for cleanliness.
- 13 Reinstall the filter frame assembly properly - (The reflective surface will be facing the viewport opening of the scanner). Reconnect the heater wiring plug.
- 14 Re-connect the scanner cover heater.
- 15 If this is a **bearing scanner**:
With the hole on top of the bearing scanner cover facing north or east, set the weather cover back onto its mounting plate. Using the T-handle 1/4-inch hex-wrench, uniformly tighten the four socket-head-cap screws.
- 16 If this is a **wheel scanner**:
With the hole on top of the wheel scanner cover facing the center of the track, set the weather cover back onto its mounting plate. Using the T-handle 1/4-inch hex-wrench, uniformly tighten the four socket-head-cap screws.
- 17 Turn on power to the scanners.

Appendix H

Predictive Gate Scanning

This appendix describes predictive gate scanning of bearings.

H.1 Overview

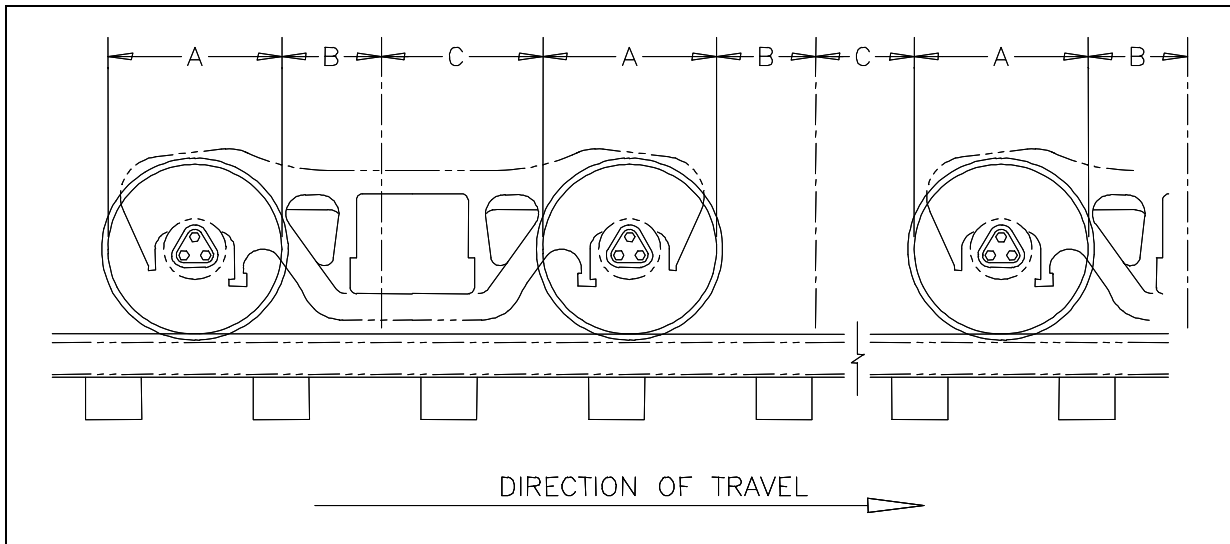
If a pyrometer is exposed to extreme infrared energy emission, the device itself can be driven into a saturated state. When this happens, it is blinded to subsequent changes in infrared energy emission. This blinded state can last up to 1-1/2 seconds.

Under certain circumstances, a pyrometer may be driven into saturation before the opening of the gate for a given axle. If the open-gate period was the only time during which pyrometer readings were sampled and processed, the system might miss an overheated bearing due to a device that was blinded before the opening of the gate. This can happen when a bearing is so overheated that it gives off infrared energy that can be seen by the pyrometer long before the bearing enters the pyrometer's field of view.

To compensate for this, the SmartScanNG² system includes special logic for processing heat seen by the pyrometers as they scan between the axle gates. The interval between axles has been divided into two parts.

The first part of this interval is the 16 inches (40.6 centimeters) that immediately precede the axle as it approaches the bearing scanners. This interval is treated as a "predictive gate" region in which the actual gate period (the time a bearing is physically in the pyrometer's field of view) is extended by 16 inches (40.6 centimeters). The remainder of the "between gate" interval forms the second part. Heat values read during this second interval are ignored.

The figure below depicts the three distinct scanning intervals (the in-gate period plus the two between-gate intervals).



The table below defines the intervals.

Interval	Description
A	The normal bearing scanning interval of about 24 inches (61 centimeters), depending on the transducer spacing.
B	A distance of about 16 inches (40.6 centimeters) before a given wheel.
C	The distance between wheels that doesn't fall within interval-B.

H.2 Scanning Process

Interval-A is the normal bearing scanning interval. Interval-B is an extension of interval-A. The greatest value read in either of these two intervals is recorded as the temperature for the axle. This value is checked for alarm levels in the same manner that scanned bearing temperatures are normally handled.

For interval-A: Heat values read during interval-A are processed normally.

For interval-B: Heat values read during interval-B that do not meet or exceed the Absolute alarm threshold are ignored. Values that meet or exceed the Absolute alarm threshold are handled as follows:

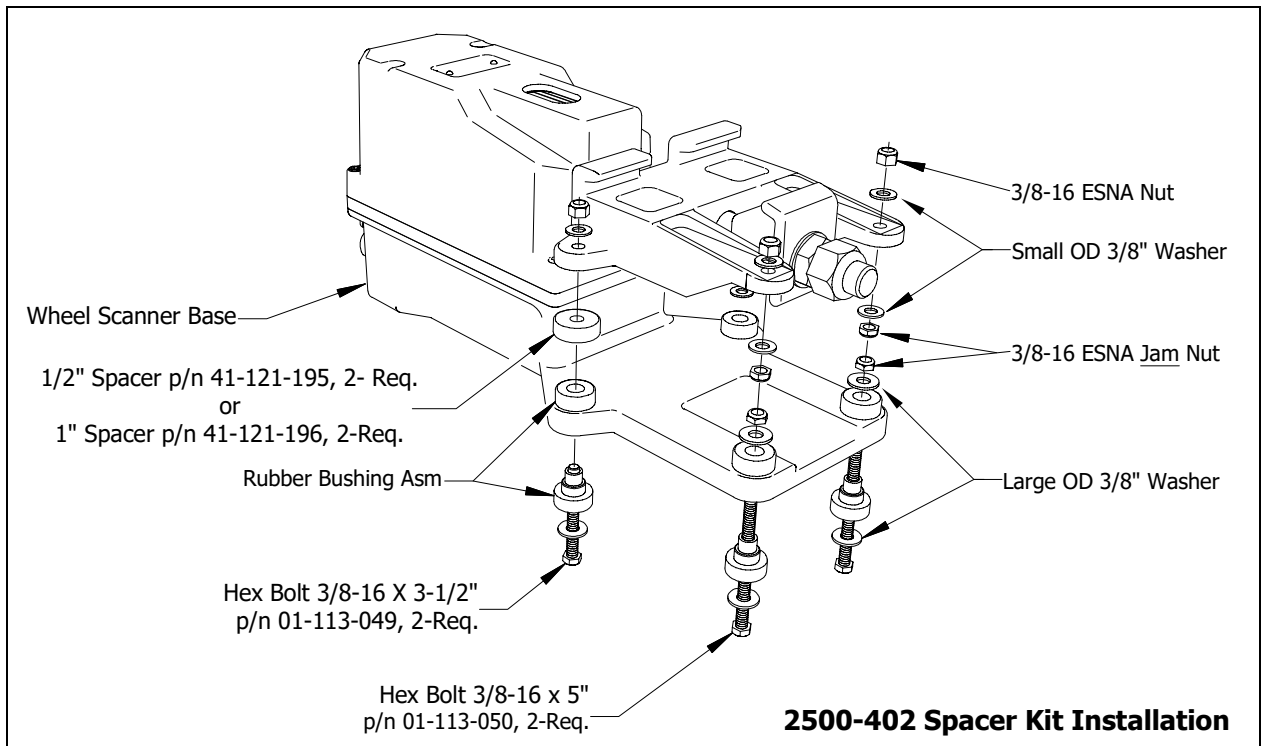
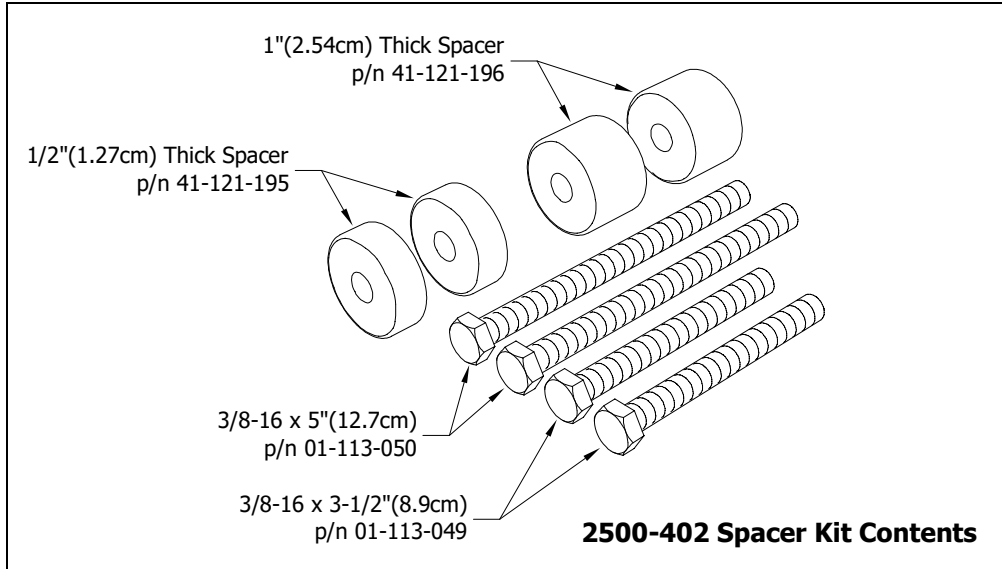
- If the interval-A heat value meets or exceeds the Absolute alarm threshold, it is processed normally, and the interval-B heat reading is ignored.
- If the interval-A heat value does not meet or exceed the Absolute alarm threshold, but interval-B heat value does, a Pyrometer Saturation alarm is flagged, and the interval-B heat value is stored and reported for the alarmed axle.

For interval-C: Heat values read during interval-C are ignored.

Appendix I

2500-402 Spacer Kit Installation

The 2500-402 Spacer Kit provides the hardware necessary to lower the Type III Hotwheel Scanner assembly by either 1/2" or 1" for those applications that require additional rail clearance.



Appendix J

Scanner Resistor Baseline Acquisition

Upon completion of autocalibration, the system will acquire the scanner resistor temperature baseline values. The process begins with a 20-minute wait period in which the resistors are allowed to cool down. The system counts down during this period, sounding a tone each minute. After the 20-minute cooldown period, the system opens and closes the shutters for a period of 8 minutes.

NOTE: For wheel scanners, it is imperative that the red filter frame is replaced immediately after autocalibration has disengaged and before resistor baseline acquisition begins.

The reason for establishing the baseline tables at the end of the Auto-Cal cycle is the assumption that the system is then at its peak operating efficiency. The system is freshly calibrated, and the lenses are clean. With the baselines established, the system can then recognize and compensate for slight degradations of the lens caused by moisture or dirt accumulation on the lens surface.

J.1 Bungalow Speaker Announcements

During the resistor-cooling period, the system announces through the speaker the following. These announcements aren't broadcast over the radio.

- A beep sounds once per minute until two minutes before the resistor test.
- At two minutes until the test, "Scanner resistor test beginning in 2 minutes" is voiced.
- At one minute until the test, "Scanner resistor test beginning in 1 minute" is voiced.

After the resistor cooling period:

- As the test begins, "Testing" is voiced. During this time, the word PENDING appears in the status column of the Resistor Data section.
- If the test was successful, "System working" is voiced. The word VALID appears in the status column of the Resistor Data section, signifying that the baseline test applies to each passing train.
- If the test wasn't successful, "Scanner resistor test beginning in two-zero minutes" is voiced, meaning that the system will try once more after 20 minutes to acquire an accurate resistor heat profile. During this time, the word PENDING appears in the status column of the Resistor Data section of the System Status Report. If the test fails a second time, the word INVALID appears in the same column. The system applies the interim integrity test to each passing train while either PENDING or INVALID appears.

J.2 Processing Resistor Baseline Results

Here are two rules the system uses:

- If any of the temperatures in the baseline table are less than or equal to 40°F, we consider the baseline to be invalid.
- The next sequential temperature has to increase or be no less than 6°F cooler than the last temperature. That is, if a temperature is 100°F, for example, the next temperature has to be greater than 100, equal to 100, but not less than 94.

If the system gets an invalid baseline, it will automatically try a second time. If it gets interrupted, it will also try a second time. The 300° F temperatures that show up in the baselines occasionally are more a reflection of the duty cycle controller for the shutter resistor. Some controllers cause the shutter resistors to heat up more quickly and sometimes overshoot the desired setpoint, whereas a controller that is operating at its optimum efficiency will ramp up to a value slightly below 300° F. Temperatures above 300° F do not result in an invalid baseline.

Look at the Resistor Data section of the System Status Report. INVALID indicates that the system has tried twice and could not acquire valid resistor data. If any of the baseline results for a scanner show INVALID, the only way to capture a new baseline is to run the Auto Cal process again. If the word PENDING appears in the status column, the system is waiting for the resistors to cool before acquiring resistor data or for the battery to charge to 13 volts. INVALID indicates that the system has tried twice and could not acquire valid resistor data. In either case, the system will apply the interim integrity test to passing trains, which doesn't require resistor baseline data.

Appendix K

2500-536 Red Filter Frame - New Design

The STC hot wheel scanner application utilizes the specialized red filter frame. The “old-style” red filter frames (manufactured prior to 2012) can be identified by their round openings. A design flaw in this version can result in the reporting of overinflated heat values.

The new revision of the red filter frame (manufactured in 2012 and after) has a slotted aperture. This new design has proven to provide much greater accuracy, thus reducing the possibility of errant temperature readings.

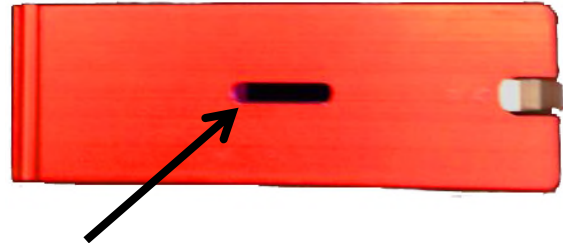
Replacement of any “old-style” red filter frames should be considered a high priority. Upgrade as soon as possible to reduce the possibility of generating a false hot wheel alarm which could result in unnecessary train stops and crew inspections.

Identification:

Old Red Filter Frame – **DO NOT USE!**



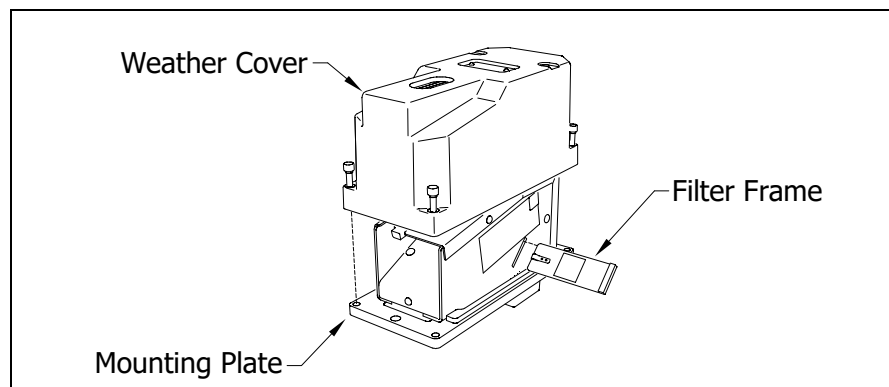
New Red Filter Frame



Slotted Aperture

Installation:

- Recalibrate the wheel scanner (see **Appendix F** for procedural instructions).
- Replace the old red filter frame with the new red filter frame.
- Return old red filter frames to STC for salvage.



Appendix L Communications Ports

NOTE: The factory default setting for serial ports COM1-COM6 is 19,200 baud. The default setting for the RS485 port is 9,600 baud.

COM1 – To use the serial interface, connect a local computer (DTE) using a null-modem cable and set the communications software to use full-duplex.
This is the standard local access port.

COM2, COM3, & COM4 - Currently unused.

COM5 – At systems with AEI, attach a null-modem cable from the AEI (DTE) Interface Module to COM5 (DTE) of the Controller module.

COM6 – Used to load a software update package onto the NG².

RS485 – Used to communicate with auxiliary equipment such as wind monitor.

ETHERNET – To establish an Ethernet connection, you need a network interface card (NIC) in your computer and a Category 5 (CAT5) 8-wire network cable for basic 10/100 functionality.

DCE (Data Circuit-Terminating Equipment) Modem				Connecting Cable	DTE (Data Terminal Equipment) Computer			Connecting Cable	DTE (Data Terminal Equipment) Computer		
Pins on the Modem		Name and Abbreviation		Inside the Straight-Through Connecting Cable	Abbr.	Pins on the Computer		*Inside the Null-Modem Connecting Cable	Abbr	Pins on the Computer	
Female DB25	DB9					Male DB25	DB9			Male DB25	DB9
1	-	Frame Ground (Chassis)	FG	————	FG	1	-	————	FG	1	-
2	3	Transmitted Data (TD)	TxD	←————	TxD	2	3	↔	TxD	2	3
3	2	Received Data (RD)	RxD	————→	RxD	3	2	↔	RxD	3	2
4	7	Request to Send	RTS	←————	RTS	4	7	↔	RTS	4	7
5	8	Clear to Send	CTS	————→	CTS	5	8	↔	CTS	5	8
6	6	Data Set Ready	DSR	————→	DSR	6	6	↔	DSR	6	6
7	5	Signal Ground	SG	————	SG	7	5	····	SG	7	5
8	1	Data Carrier Detect	DCD or CD	————→	DCD or CD	8	1	····	DCD or CD	8	1
20	4	Data Terminal Ready	DTR	←————	DTR	20	4	↔	DTR	20	4
22	9	Ring Indicator	RI	————	RI	22	9	————	RI	22	9

Appendix M

15A Breaker Upgrade in SmartScanNG Chassis (Pre-2012)

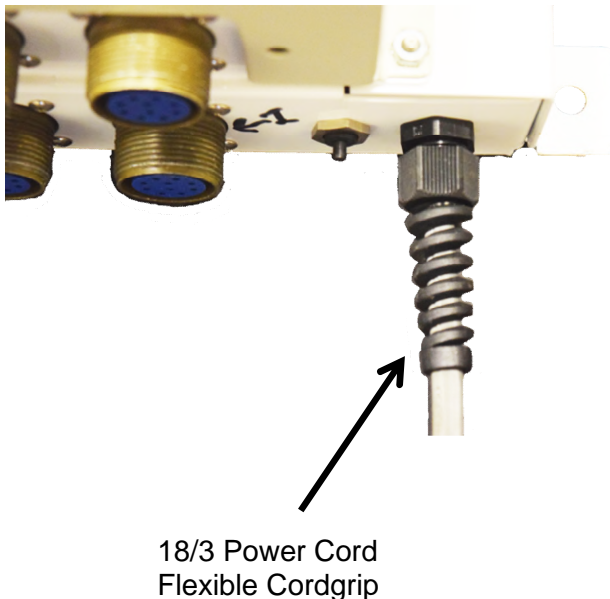
This appendix applies only to those SmartScanNG systems (manufactured prior to 2012) that are to be upgraded with a SmartScanNG² Controller Module.

Current model Type-3 scanners have higher wattage heaters than those previously used. The pre-2012 controller chassis was originally equipped with a 10A breaker which may trip while connected to four Type-3 scanners.

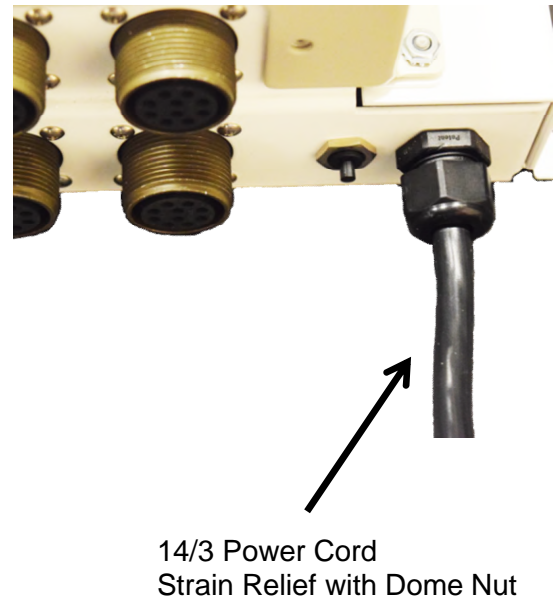
STC recommends returning any pre-2012 chassis for retrofit **if four Type-3 scanners** are to be used. This upgrade kit (2300-500E) includes a 14 AWG power cord, a 15A breaker, and associated wiring.

The pre-2012 controller chassis can be easily identified in the field by the AC power cord. All controller chassis manufactured before 2012 were equipped with a grey 18 AWG 3 conductor power cord with a flexible cordgrip. Post-2012 controller chassis have a black 14/3 power cord and a strain relief with dome nut.

Pre-2012 Controller Chassis



Post-2012 Controller Chassis

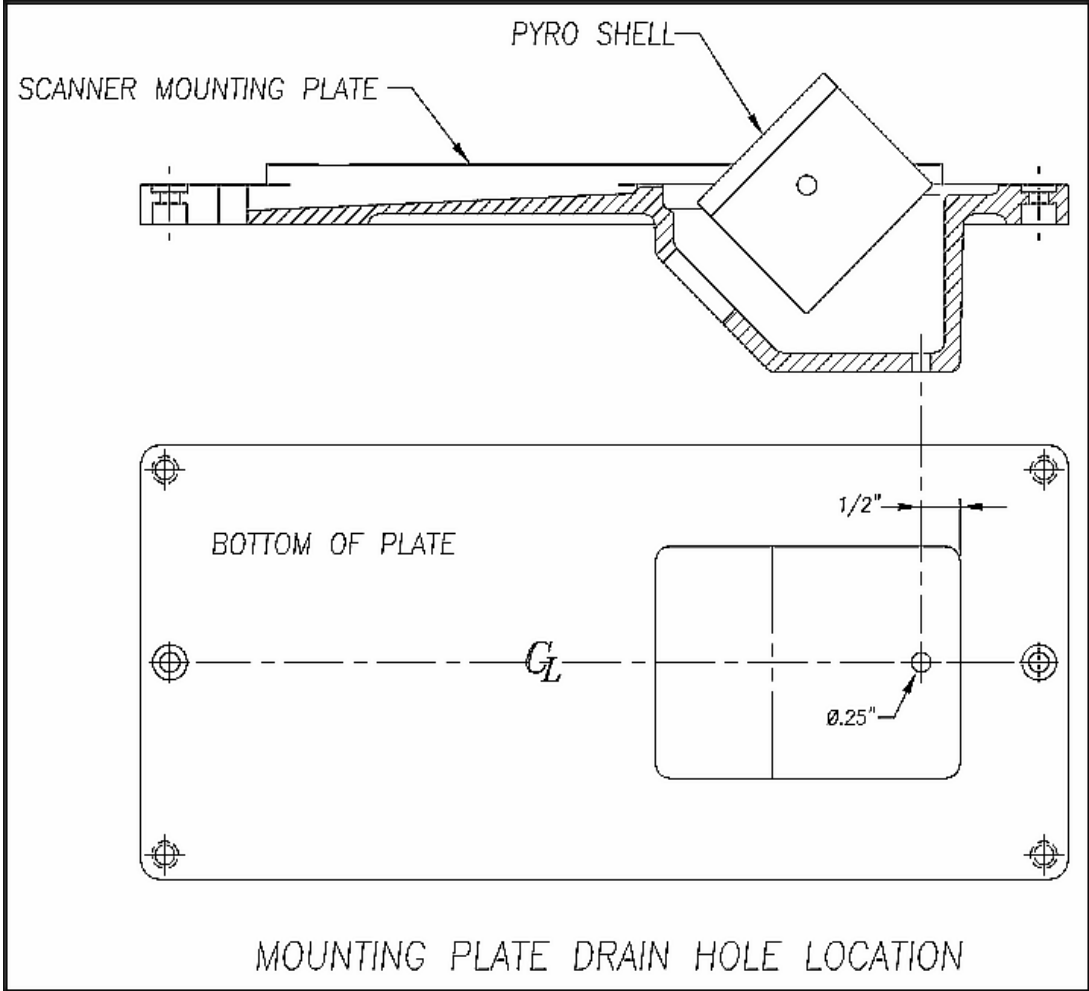


Appendix N

Scanner Base Drain Hole

For scanners manufactured prior to 2013:

Where required due to water accumulation, a 0.25" drain hole can be drilled in the bottom of the scanner base.



Index

This section lists the page numbers for keywords and phrases used in this guide.

1

19,200 baud · 255
1KHz test tone · 80

A

Absolute alarm · 17, 244
Absolute option · 17, 126, 133, 141, 147, 169, 204
AEI Diagnostic Detail report · 97, 123, 166, 173, 174
AEI option · 45, 60, 125, 127, 129, 130, 135, 140, 142, 143, 144, 149, 152, 165, 166, 171
AEI Reader Parameters · 65, 68
AEI tags · 127, 135, 142, 149, 171
alarm
 Absolute · 17, 37, 244
 Carside Slope · 14, 17, 41, 46, 47, 126, 129, 130, 134, 141, 143, 144, 148, 152, 166, 170, 178
 Cold Rail · 38, 39, 126, 133, 141, 147, 169, 203, 205, 211, 213
 Cold Resistor · 38, 40, 133, 147, 169, 204, 205, 206, 214
 Cold Wheel Scanner · 38, 39, 134, 148, 170, 205, 206, 211, 214, 215
 Dead Battery · 211
 Dead Resistor · 211
 Dead Wheel Scanner Resistor · 211, 212
 Differential · 17, 37
 Dragging Equipment · 21, 43, 44
 Exception · 60, 135, 136, 140, 142, 149, 150
 High-Load · 21, 44
 Highrange Transducer Miscounts · 56, 57, 206, 212
 Hotbox · 16, 133, 147, 169
 Hotbox alarm · 178, 180, 181, 182
 Hotwheel · 21, 38, 44, 45, 125, 129, 133, 134, 140, 143, 147, 148, 150, 169, 170
 Integrity Failure · 207, 214
 Low Battery · 207
 Midrange Transducer Miscounts · 207
 No Approach Track · 188, 207
 Pyrometer Noise Filtered Rail · 207
 Pyrometer Noise Filtered Wheel · 208
 Pyrometer Saturation · 17, 244, 245
 Reverse Direction Detected · 208
 Short Train · 208
 Stuck Dragger During Train Passage · 212
 Stuck Dragger Pretrain · 212
 Stuck Dragger Recovered · 208
 Stuck High Load Detector Pretrain · 21, 213
 Stuck Wide Load Detector Pretrain · 22, 213
 Successive Cold Rails Exceeded · 38, 203, 213
 Successive Cold Resistors Exceeded · 38, 40, 205, 214

Successive Cold Wheel Resistors Exceeded · 39, 206, 215
Successive Cold Wheels Exceeded · 38, 205, 214
Test Train · 209
Train Present on Restart · 215
Very Slow Train · 56, 57, 191, 206, 209, 212, 245
Wide-Load · 22, 43, 44
Alarm Settings menu · 21, 36, 37, 38, 39, 40, 41, 42, 126, 133, 134, 141, 147, 148, 150, 164, 169, 170, 203, 204, 205, 206, 211, 213, 214
alignment · 183, 184
ambient temperature · 17, 19, 21, 37, 38, 39, 48, 49, 50, 55, 57, 88, 127, 132, 134, 142, 146, 148, 164, 168, 170, 204
ancillary messages · 55, 179, 180
Announce Axles option · 14, 56
Announce Car Identification option · 60
Announce Customer Name option · 59
Announce Left-Right Alarm Reference option · 59
Announce Number of Cars option · 14, 59
Announce Power Off option · 58
Announce Slow Train option · 14, 58
Announce Speed option · 14, 56
Announce Temperature option · 57
Announce Train Arrival option · 59
Announce Train Length option · 14, 57
antenna · 135, 149, 171
arrival message · 59
attenuation plug · 217, 228, 229
autocalibration · 27, 50, 81, 82, 88, 165, 197, 225, 226, 227, 229, 231, 233, 235, 238, 239
Auxiliary alarms · 21
Axle Alarm Summary · 135, 149
axle count · 14, 55, 56, 191, 192, 195, 206, 209, 212
axle number · 136, 150, 172
Axle Scanning · 16

B

ballast · 184
baseline resistor integrity · 88, 133, 135, 147, 149, 169, 171
battery charger · 185, 186, 187, 200
battery temperature probe · 185
baud rate · 30, 232, 237
bearing scanners · 7, 13, 17, 18, 21, 127, 132, 136, 142, 146, 150, 168, 191, 217, 221, 243

C

calibrated heat source · 27, 231, 232, 235, 236, 237, 239
Clear Event Log option · 83, 175
clearance mode · 48
clearance type · 47
COM1 · 30, 72, 73, 123, 226, 228, 232, 237, 255
COM3 · 29
COM5 · 255
correction factor · 19, 133, 135, 147, 149, 169, 171

D

Date and Time · 34, 127, 132, 142, 146, 164, 168

default setup parameters · 69, 71, 72
Delete All Stored Train Data option · 83
double-track site · 179
Dragger option · 21, 43
DTMF · 63, 69

E

Equipment Settings menu · 17, 21, 22, 33, 38, 41, 42, 43, 44, 45, 46, 47, 48, 49, 50, 51, 52, 60, 125, 126, 127, 129, 130, 134, 135, 136, 140, 141, 142, 143, 148, 149, 164, 165, 166, 170, 171, 172
error message · 63, 64
Event Log · 83, 84, 97, 118, 123, 175, 176
Exception Detail report · 123, 140, 143, 144, 145, 151, 152, 154
Exception Summary report · 123, 140, 143
Exceptions directory · 83, 140, 142, 146

F

float voltage · 186, 187, 200, 207, 211
fuse block · 185, 186

G

Gate Distance option · 43, 51
gating transducers · 13, 14, 15, 16, 17, 19, 20, 50, 136, 150, 172, 188, 191, 192, 199, 206, 207, 209, 212, 245

H

heaters · 13, 48, 49, 241

I

Integrity Failure · 179, 180

K

keypad · 24

L

Lens Cleaning · 241

M

Main menu · 232, 235, 238, 239
Maintenance email list · 86
milepost/kilometer post · 34
modem · 232, 237

mounting plate · 222, 223, 224, 237, 241, 242

N

Network Menu · 27
Network Settings · 68, 73

O

OLED · 24
optics · 235, 238, 241

P

primary language · 60
Processor board · 23
pyrometer · 27, 231, 233, 238

R

Radio Inhibit · 79
Radio Test · 26, 77
Remote System Reset · 82
Replay train · 94
reports
 Abbreviated Exception Detail · 152
 AEI Diagnostic Detail · 166
 Event Log · 175
 Exception Detail · 143, 179
 Exception Summary · 140
 System Status · 162
 Train Detail · 129
 Train Summary · 125

S

scanner cover · 221, 222, 223, 224, 235, 238, 242
secondary language · 61
Security Menu · 95
serial interface · 232, 235, 238, 239
Setup menu · 32
shutters · 227, 229, 234, 235, 238, 239
single-track site · 180, 181, 182
Start Manual Train · 79
System Functions menu · 26, 76
system health menu · 25
System Status report · 162
system warning · 23

T

Train Detail report · 129
Train Summary report · 125

U

units of measure · 68
Update Menu · 84

V

View maintenance statistics · 85
Vocabulary Test · 78
Volume Menu · 28

W

wayside enclosure · 235, 239
Web security settings · 87, 89, 91
web user interface · 97
wheel scanners · 221
WiFi · 97